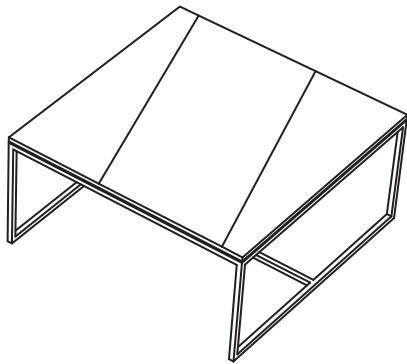


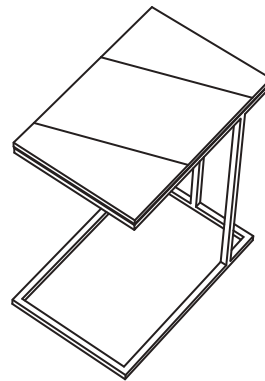
Tobias Series

To help maintain the appearance of your table, we recommend cleaning the wood surfaces and steel base with a damp, soft cloth.

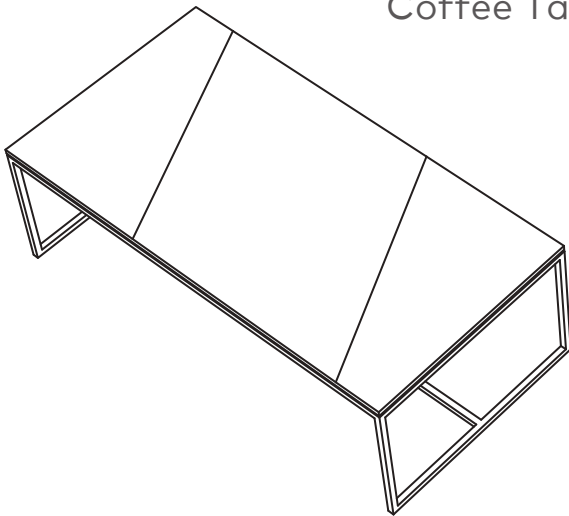
Do not use abrasive cleaning products.



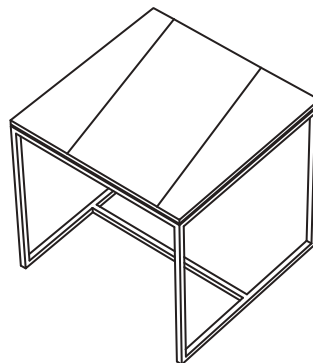
Tobias Square
Coffee Table



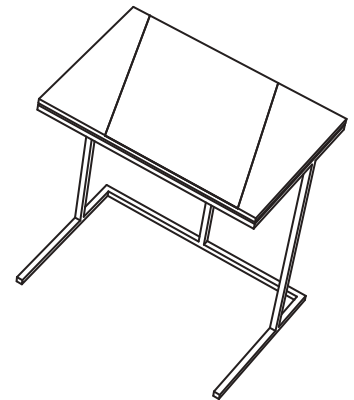
Tobias Nesting
Table



Tobias Rectangular
Coffee Table



Tobias End
Table



Tobias
Network
Table

Gus*

Modern
furniture
made
simple.