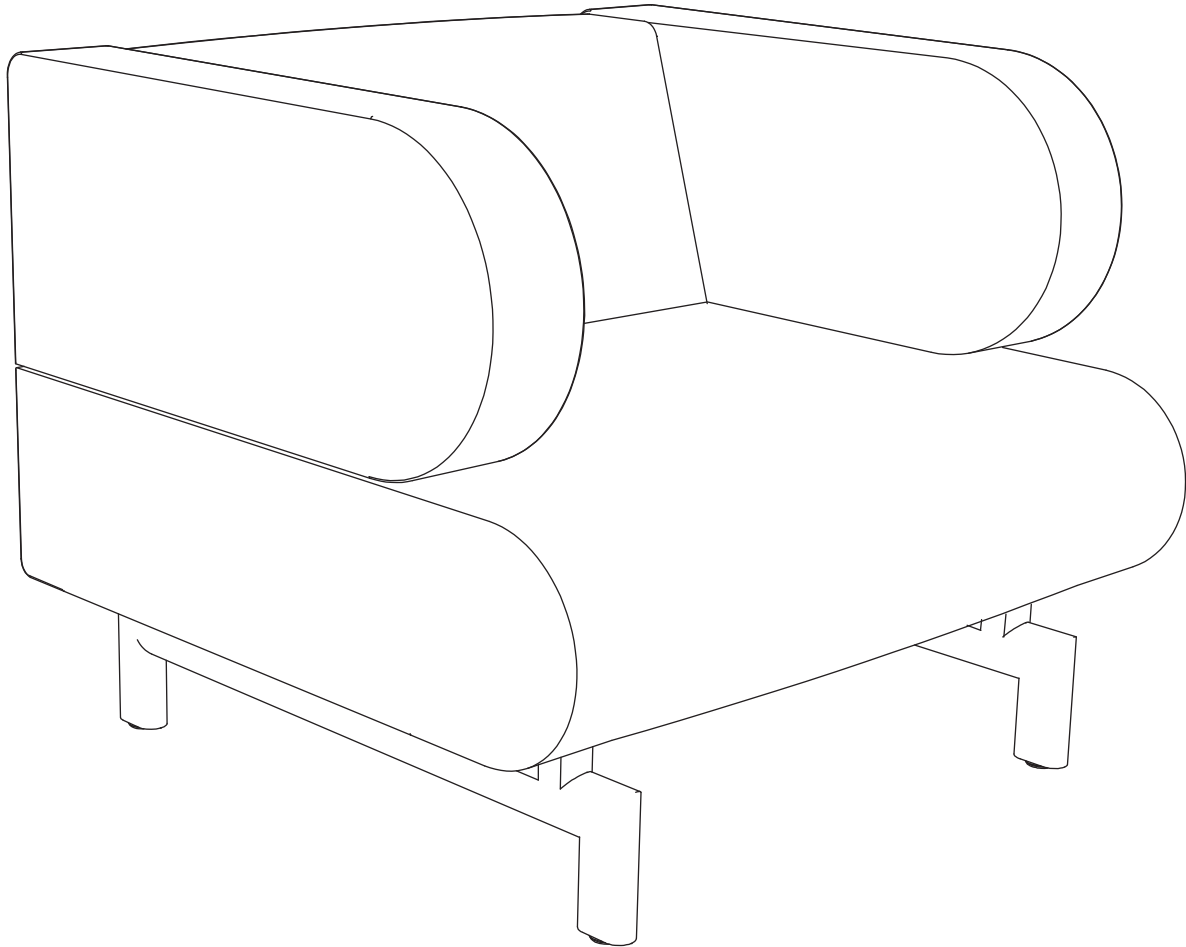


Soren Chair

To help maintain the appearance of this unique chair, we recommend cleaning the steel legs with a damp, soft cloth. Fabric can be spot cleaned with a gentle soap and water, or carefully vacuumed.

Do not use abrasive cleaning products.



Gus*

**Modern
furniture
made
simple.**

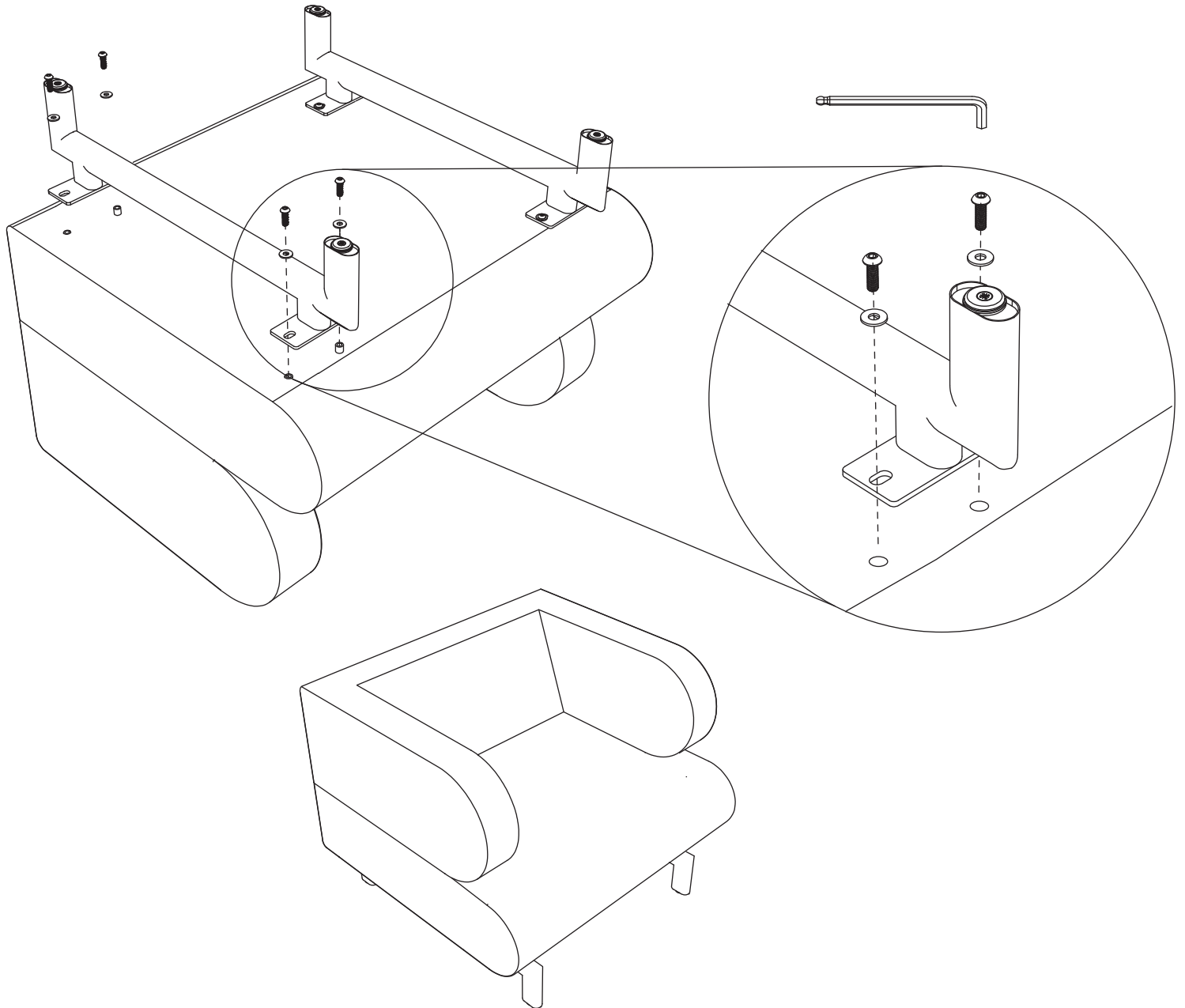
Soren Chair

ASSEMBLY INSTRUCTIONS

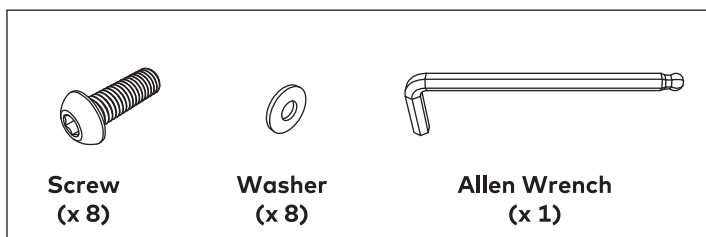
KEEP ALL PACKAGING MATERIALS UNTIL YOU HAVE VERIFIED ALL COMPONENTS AND PARTS.

1. Turn chair over and align the leg fastening plates with the threaded inserts in the underside of the chair.
2. Using the provided bolts and washers, fasten legs to underside of chair.

DEPENDING ON USE, IT MAY BE NECESSARY TO TIGHTEN THE LEG BOLTS PERIODICALLY TO MAXIMIZE THE STABILITY OF THE CHAIR.



Assembled Chair



**Modern
furniture
made
simple.**