

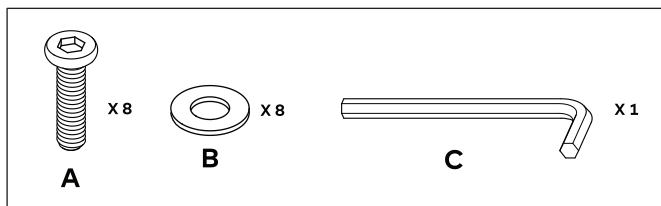
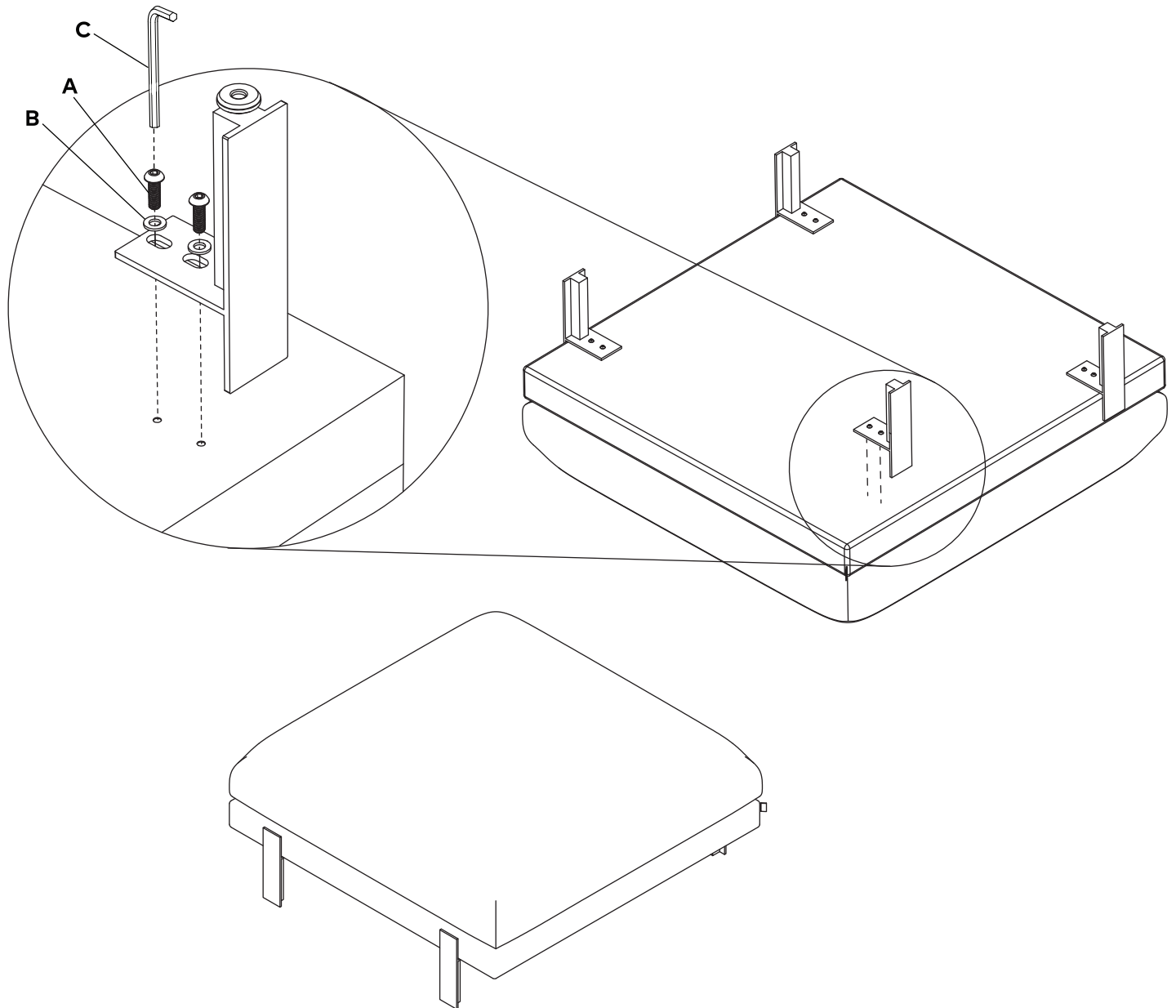
Silverlake Ottoman

ASSEMBLY INSTRUCTIONS

KEEP ALL PACKAGING MATERIALS UNTIL YOU HAVE VERIFIED ALL COMPONENTS AND PARTS

1. Gently rest the ottoman upside down on a clean flat surface.
2. To install the steel legs, align the holes of the steel plates with the threaded inserts on the underside of the ottoman. Secure the legs into the threaded inserts with the provided screws and washers.

To help maintain the appearance of your ottoman, we recommend spot cleaning the upholstery with a gentle soap and water. Steel legs can be cleaned with a damp, soft cloth. Do not use abrasive cleaning products.



Modern
furniture
made
simple.