

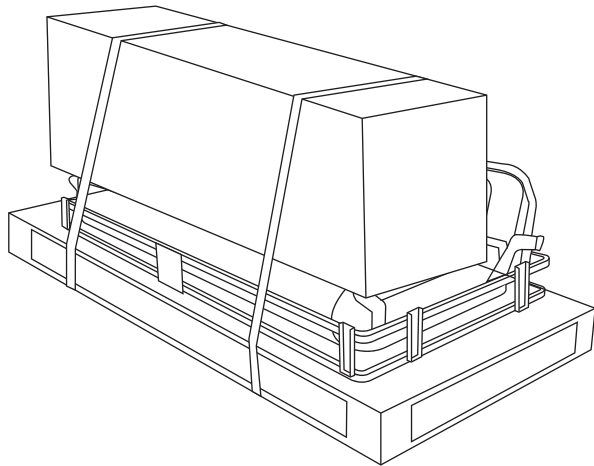
# Rialto

## ASSEMBLY INSTRUCTIONS

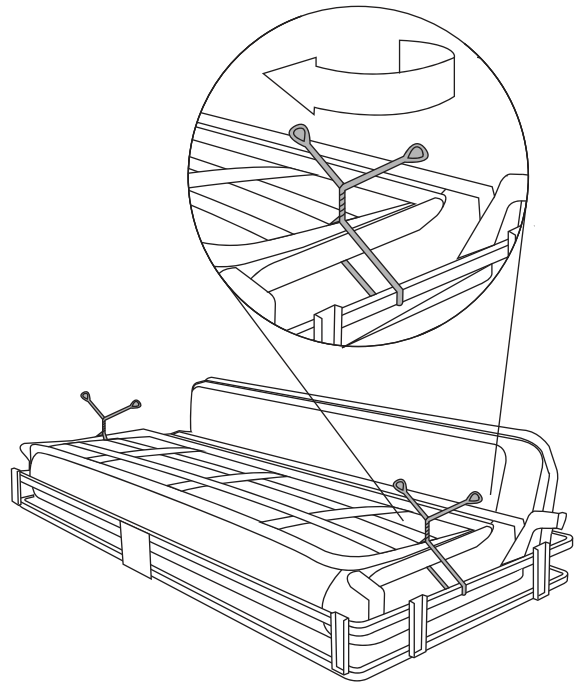
KEEP ALL PACKAGING MATERIALS UNTIL YOU HAVE VERIFIED ALL COMPONENTS AND PARTS.

Due to product weight and to maintain the warranty, this product must be delivered and assembled by a white-glove delivery service. For more information visit our website at [www.gusmodern.com](http://www.gusmodern.com)

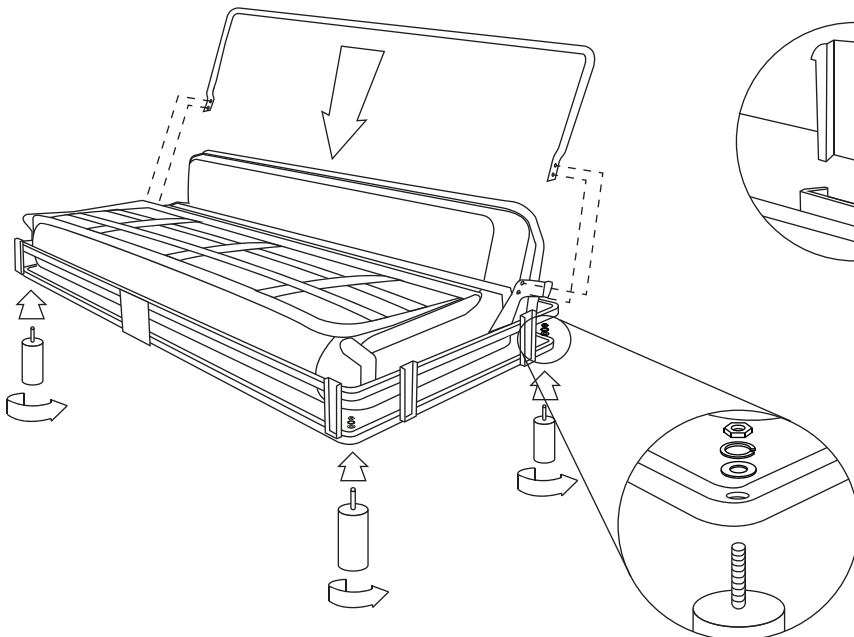
1. Unpack the pallet, remove all the upholstered components from the box and locate the hardware.



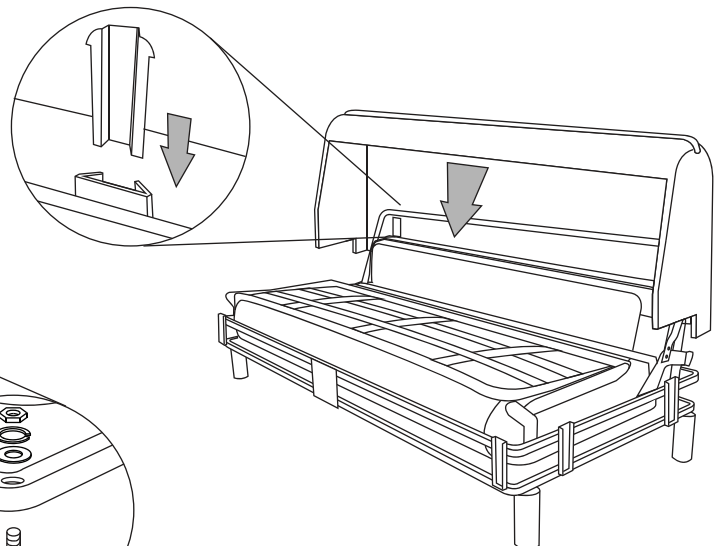
2. Locate and undo the 2 twist ties on the mechanism so it can move freely.



3. Attach the back support bar to the part of the mechanism as indicated on the drawing and fasten the 4 legs into the bottom of the frame using provided hardware.

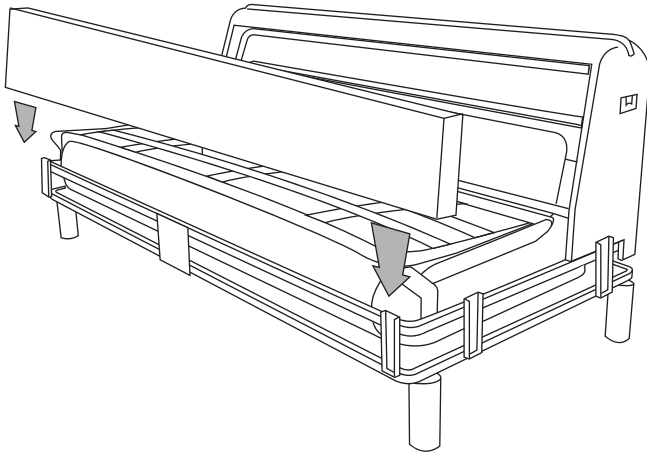


4. Attach the upholstered backrest by sliding the component from the top ensuring that the male brackets line up with the female brackets on the frame.

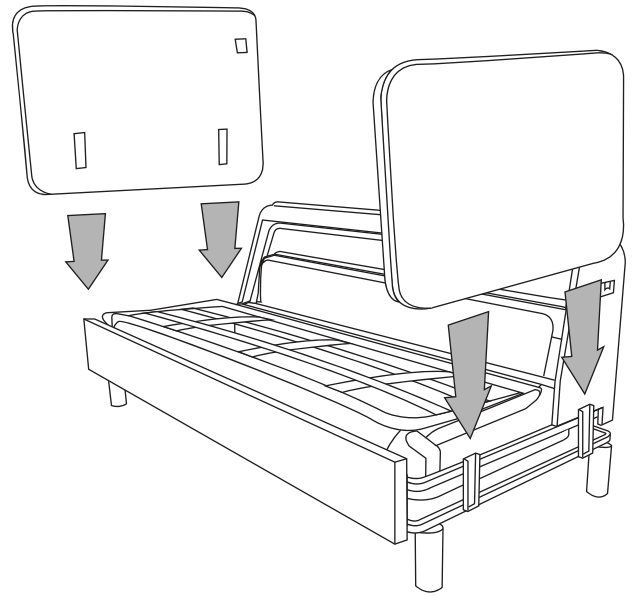


Modern  
furniture  
made  
simple.

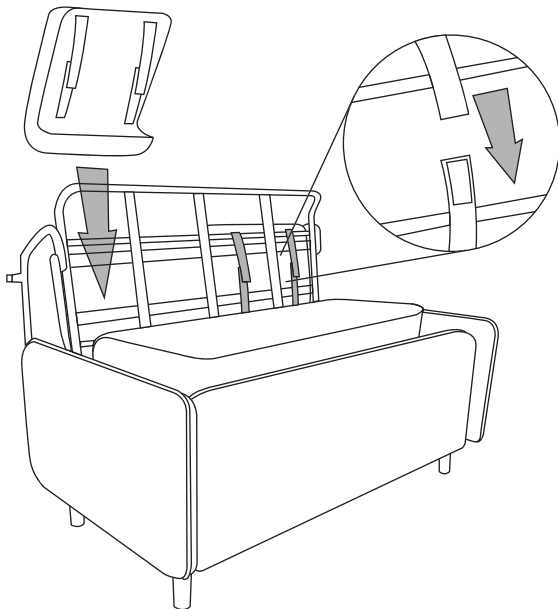
5. Attach the upholstered lower footboard as indicated on the drawing.



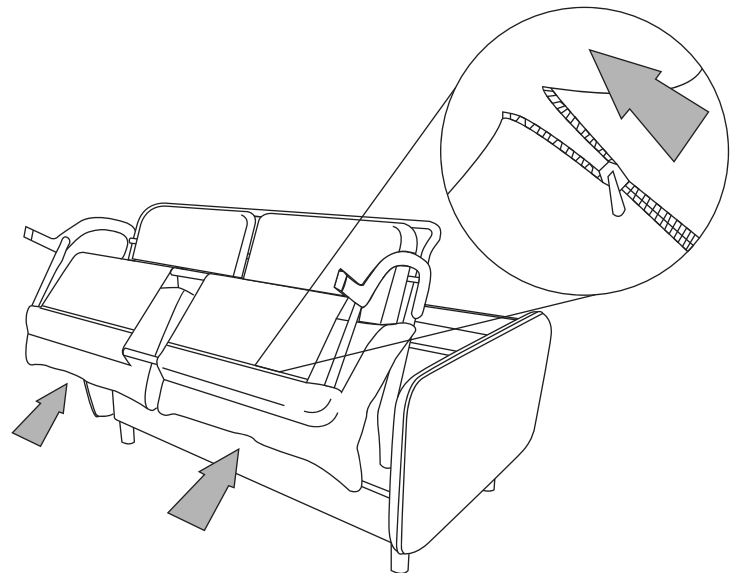
6. Attach the upholstered left and right arm by sliding them from the top and lining up the male brackets on the arms with the female brackets on the frame and the backrest.



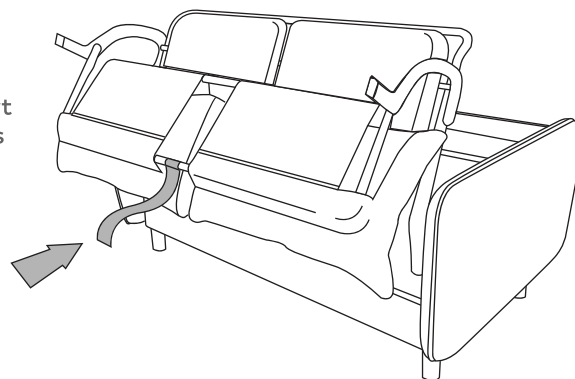
7. Pull out the mechanism so that the front edge is pointing upward, and the mattress is folded down. Insert the seat cushions with the seat facing outward, secure the Velcro straps to the frame as shown.



8. Start to fold the mechanism until the top of the back support bar is horizontal. Attach the left and right back cushions upside down to the back support bar by weaving the fabric sheet over the bar and closing the zipper as shown.



9. Tie the pull strap to the back support bar between the two back cushions as shown.



# Rialto Sofabed

To help maintain the appearance of your sofa we recommend that you vacuum it regularly and blot spills immediately with a clean, absorbent cloth. Keep away from direct sunlight to prevent fading over time.

**Do not use abrasive cleaning products.**

## TO CONVERT TO A BED

**Step 1** Locate the pull strap between the 2 back cushions and pull forward.

**Step 2** Continue to pull the strap forward until the system starts to unfold.

**Step 3** Grab the bar at the foot of the mattress and pull down until the legs are sitting on the floor.

Reverse these instructions to fold the mechanism back into a sofa. Adjust the back and seat cushions for optimal support.

The bed is recommended for occasional use only.

