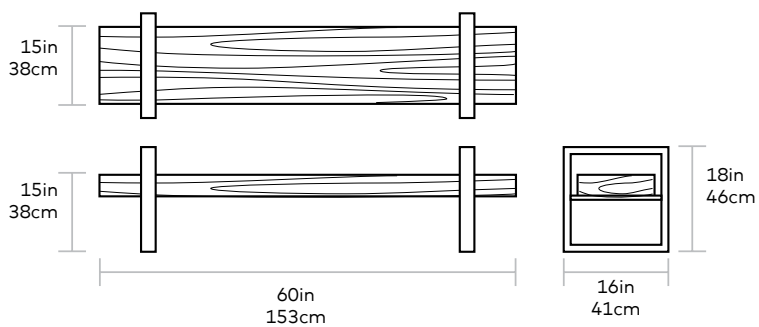


Return Bench



FINISH > Natural Oak, Black Oak or Walnut
BASE > Stainless Steel



The Return Bench is a versatile, modern accent piece designed for use as a coffee table or as a bench in an entryway or bedroom. The warm, natural woodgrain of the beam contrasts nicely against the stainless steel supports.

To see all finish options visit
GUSMODERN.COM