

Renfrew Series

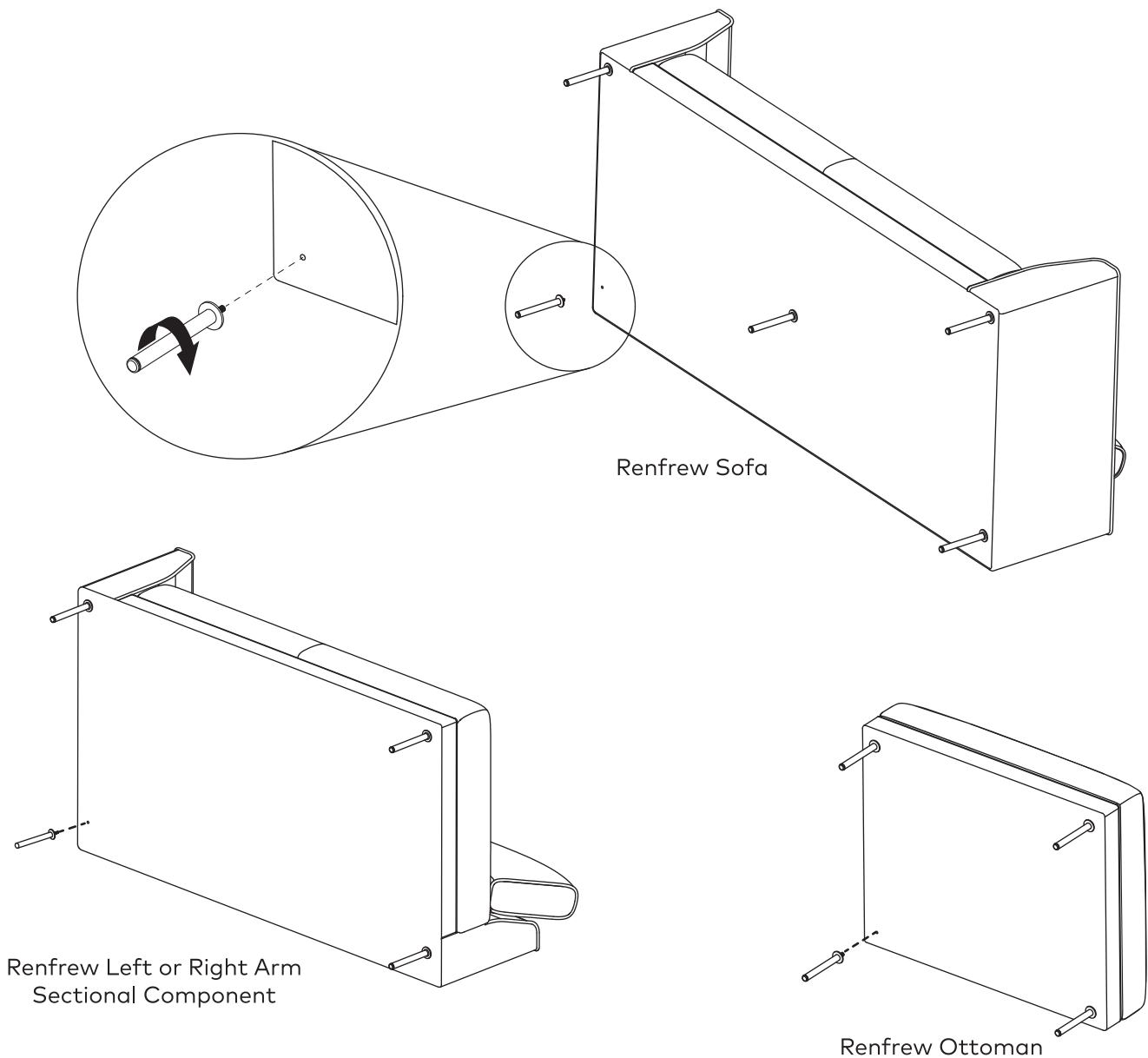
ASSEMBLY INSTRUCTIONS

KEEP ALL PACKAGING MATERIALS UNTIL YOU HAVE VERIFIED ALL COMPONENTS AND PARTS

1. Gently rest the back of the sofa, ottoman or sectional component onto a clean flat surface.
2. To install the steel legs, align the threaded rod found at the top of each leg, with the holes located on the underside of the design.
3. We recommend turning your piece upright with 2 or more people to avoid excess pressure on any individual leg.

To help maintain the appearance of your sofa or sectional, we recommend spot cleaning the upholstery with a gentle soap and water. Steel legs can be cleaned with a damp, soft cloth. Do not use abrasive cleaning products.

Depending on use, it may be necessary to tighten the legs periodically to maximize stability.

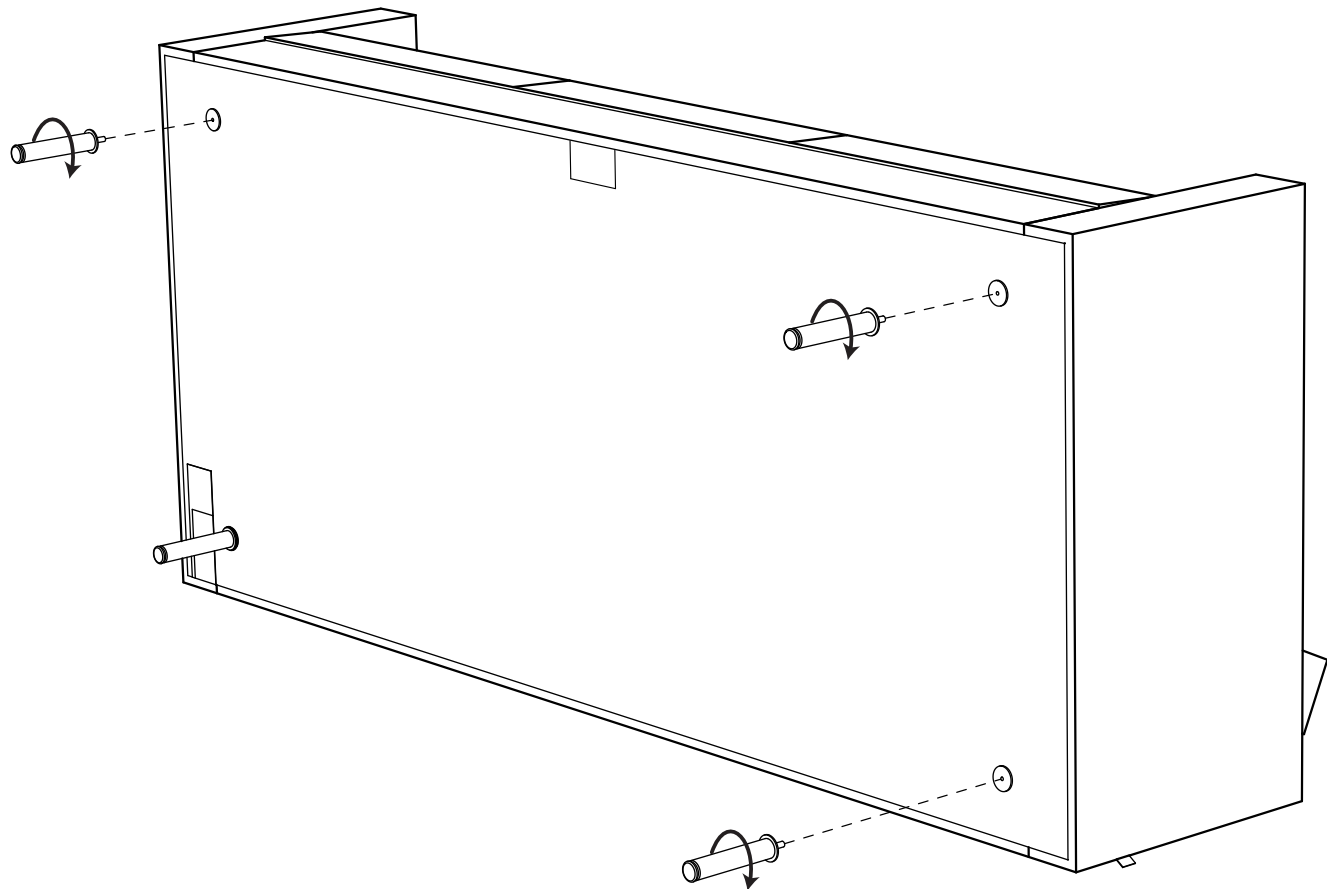
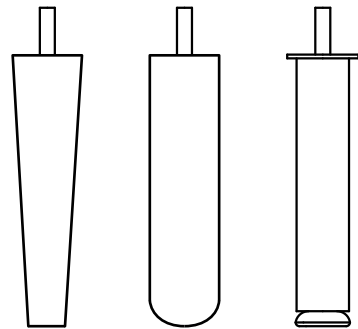


Attaching Screw-on Legs

KEEP ALL PACKAGING MATERIALS UNTIL YOU HAVE VERIFIED ALL COMPONENTS AND PARTS

- 1 Gently rest the back of the frame onto a clean, flat surface.
- 2 Secure each leg by screwing clockwise into the holes on the bottom of the frame.
- 3 Turn frame upright, being careful to not put excessive pressure on any individual leg.

DEPENDING ON USE, IT MAY BE NECESSARY TO TIGHTEN THE LEGS PERIODICALLY TO MAXIMIZE STABILITY.



Modern
furniture
made
simple.