

Quarry Square Coffee Table

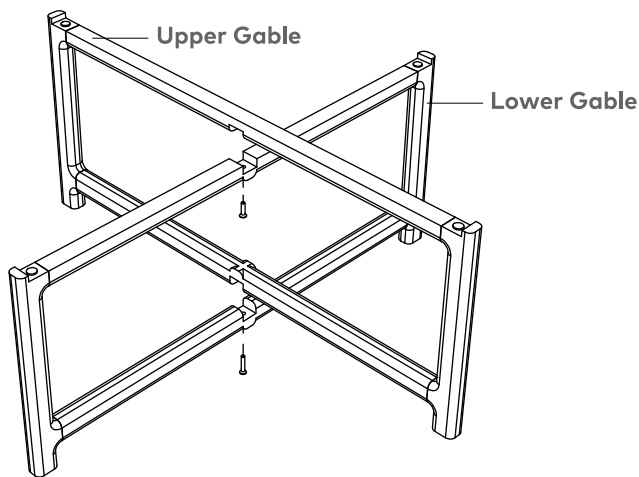
ASSEMBLY INSTRUCTIONS

KEEP ALL PACKAGING MATERIALS UNTIL YOU HAVE VERIFIED ALL COMPONENTS AND PARTS.

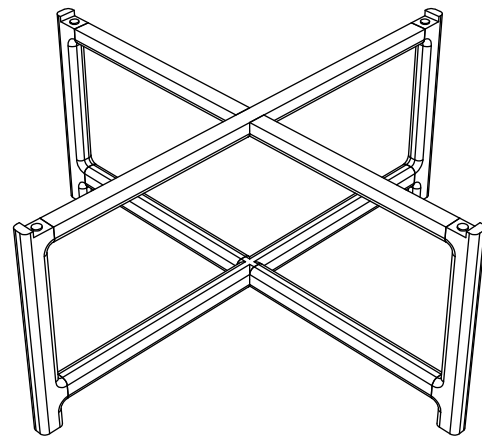
1. Line up notches and fit upper & lower gables together. Secure from underside with the two screws provided.
2. Place the glass top on assembled base with alignment as shown and within notches in vertical frame members.

Clean all surfaces with a damp, soft cloth. Do not use abrasive cleaners.

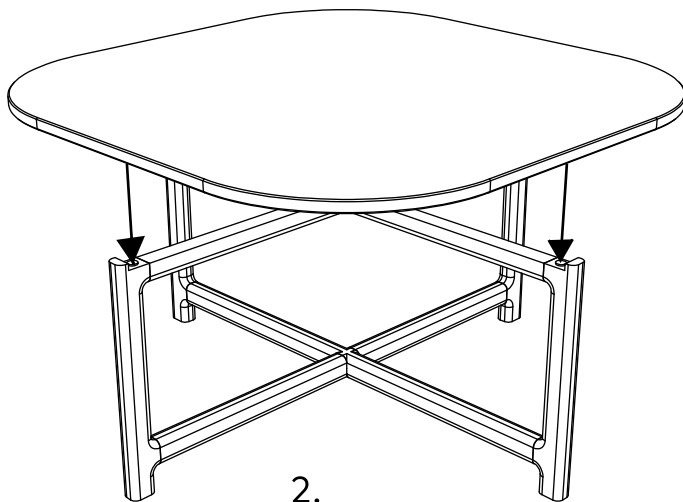
DEPENDING ON USE, IT MAY BE NECESSARY TO TIGHTEN THE SCREWS PERIODICALLY TO MAXIMIZE THE STABILITY OF THE TABLE BASE.



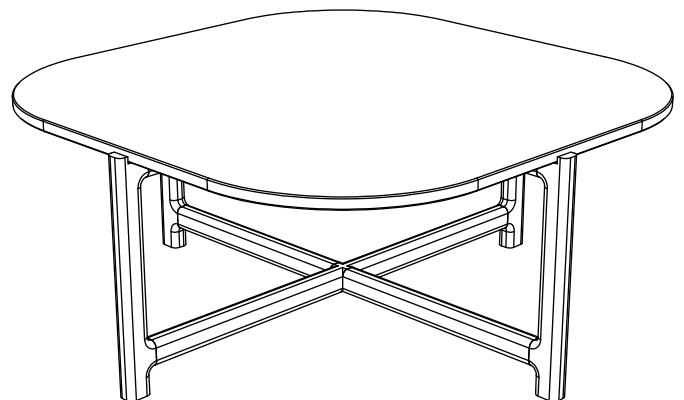
1.



Assembled Base



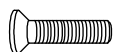
2.



Assembled Table



Allen Wrench x1



Screw x2



Modern
furniture
made
simple.