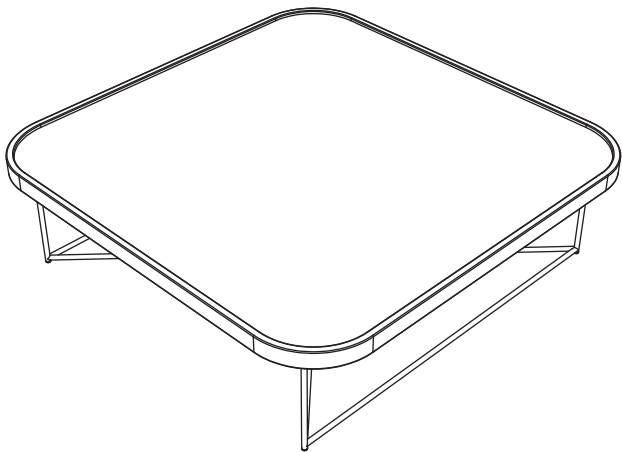


Porter Coffee Table

To help maintain the appearance of your coffee table, we recommend cleaning the wood surfaces and steel base with a damp, soft cloth. Do not use abrasive cleaning products.



Modern
furniture
made
simple.