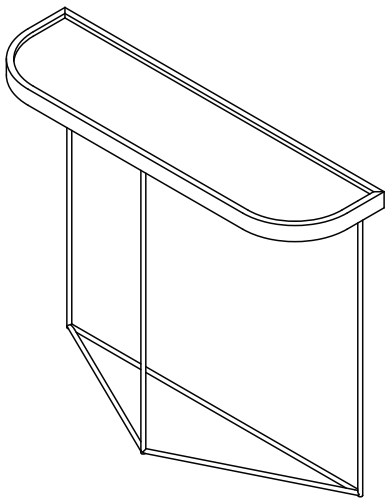


Porter Console Table

Assembly Instructions:

Place the console table against a wall. Place each screw through each of the provided washers. Then screw the console table to the wall through the tabs in the frame. If you cannot secure into a stud, please use the provided drywall anchors before securing the table.



Modern
furniture
made
simple.