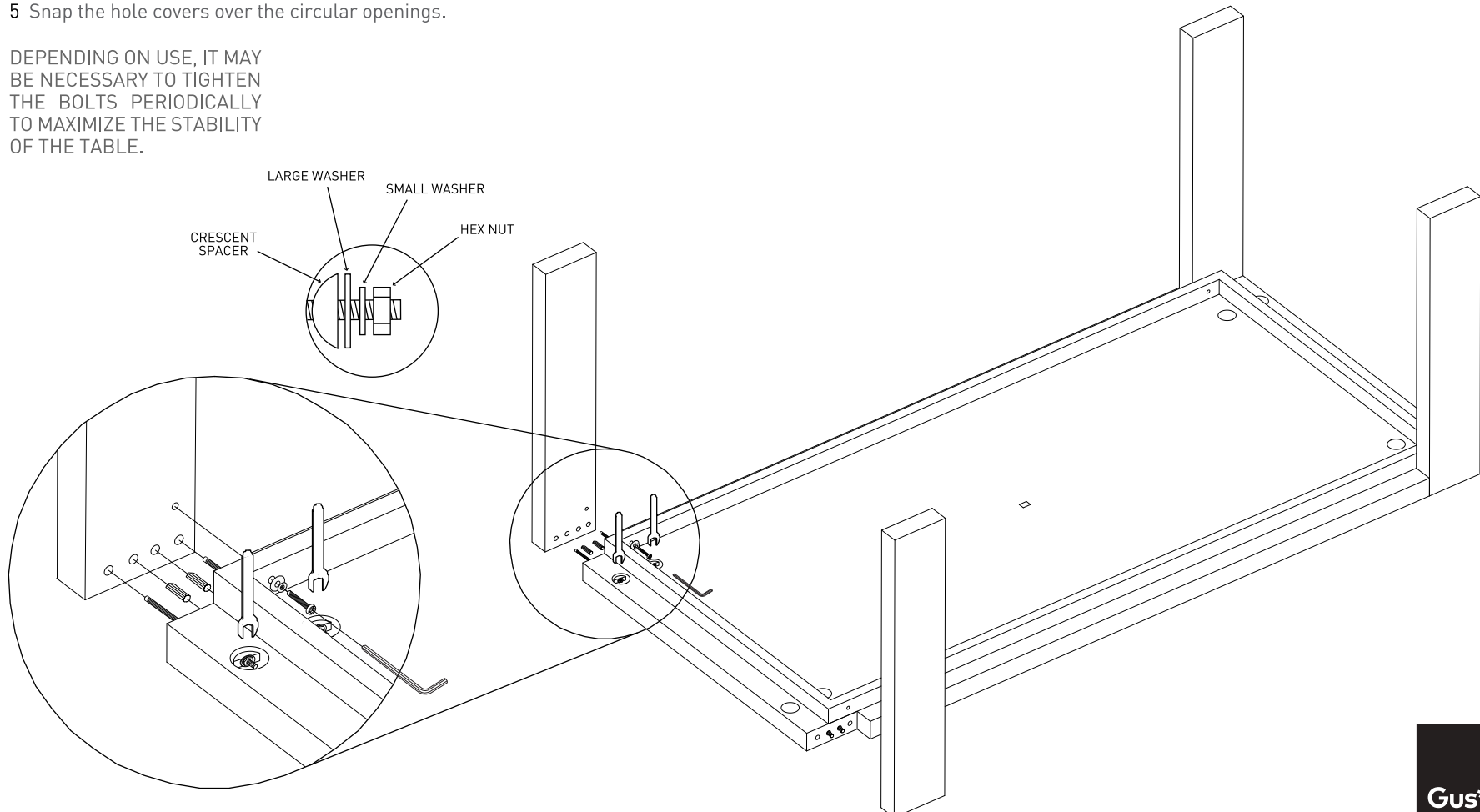
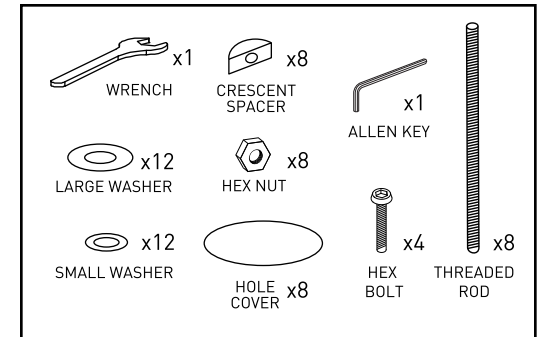
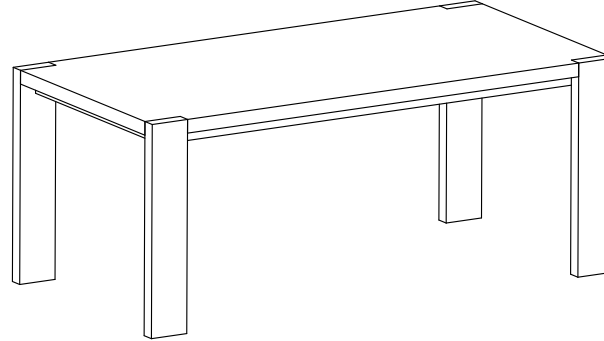


Plank Table

ASSEMBLY INSTRUCTIONS

- 1 Fasten the threaded rods into the table legs.
- 2 Attach the legs to the table top.
- 3 Slide the crescent spacers and washers over the end of the threaded rods and tighten the hex nuts with the provided wrench.
- 4 Using provided Allen Key, fasten Hex Bolt and small washer through skirt and secure to leg.
- 5 Snap the hole covers over the circular openings.

DEPENDING ON USE, IT MAY BE NECESSARY TO TIGHTEN THE BOLTS PERIODICALLY TO MAXIMIZE THE STABILITY OF THE TABLE.



Modern
furniture
made
simple.