

Odeon Coffee Table - Painted Wood

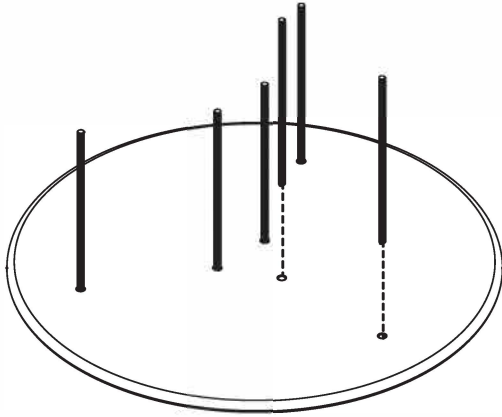
ASSEMBLY INSTRUCTIONS

KEEP ALL PACKAGING MATERIALS UNTIL YOU HAVE VERIFIED ALL COMPONENTS AND PARTS.

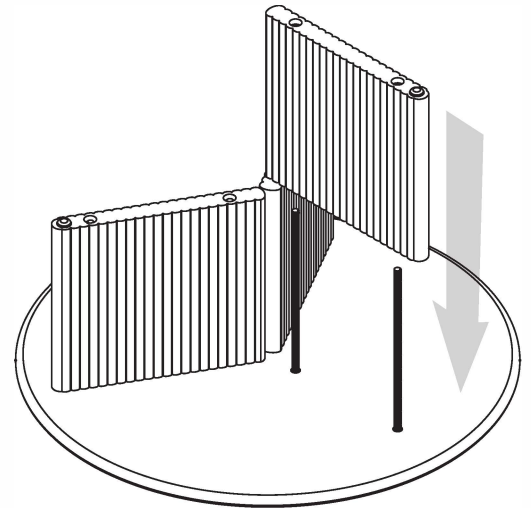
1. Place tabletop upside down on a flat, clean surface.
2. Thread the threaded rods into the threaded inserts underneath the tabletop.
3. With the plastic bumpers on the leg panels facing upwards, align the holes with the threaded rods and slide the panels down as shown.
4. Using the provided wrench secure the leg panels to the threaded rods using the provided washers and nuts.
5. With the provided screws, attach the three prong base plate to where the three leg panels join each other in the center.

Clean all surfaces with a soft, damp cloth. Do not use abrasive cleaning products.

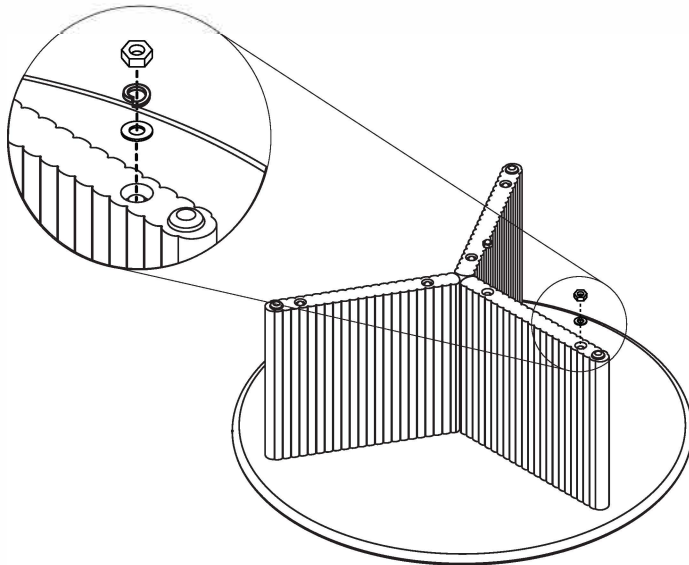
DEPENDING ON USE, IT MAY BE NECESSARY TO TIGHTEN THE FASTENERS PERIODICALLY TO MAXIMIZE THE STABILITY OF THE TABLE.



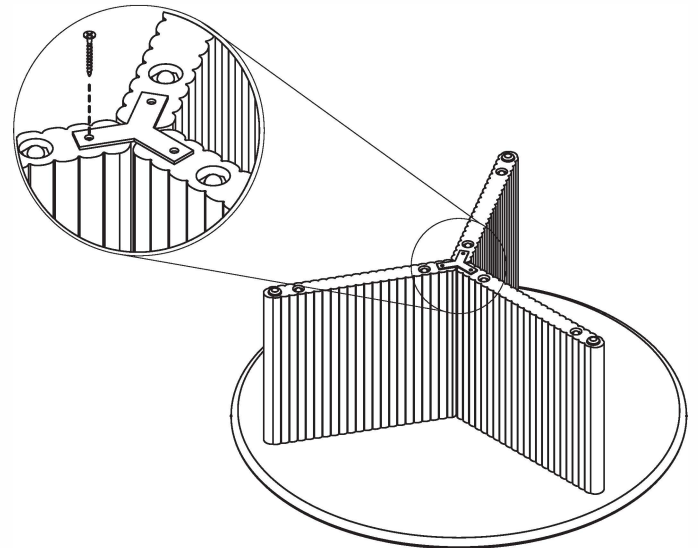
1.



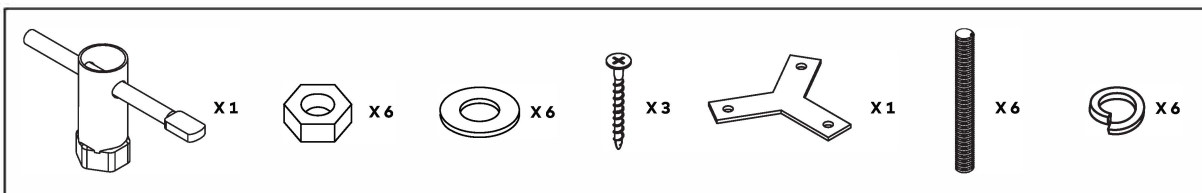
2.



3.



4.



Modern
furniture
made
simple.

Wood Care - Rubio Monocoat

Select designs feature wood that is finished with Rubio Monocoat - an environmentally friendly, oil-based protector designed to highlight the beauty of natural wood. These designs require special care to ensure they maintain their appearance. Please read and follow the directions below.

Shrinking, Cracking, Warping:

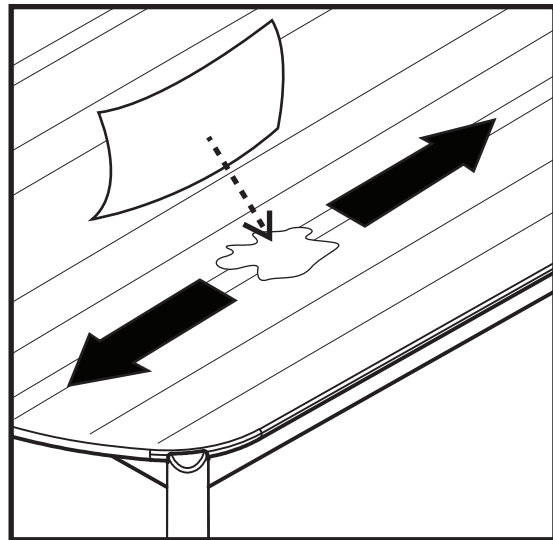
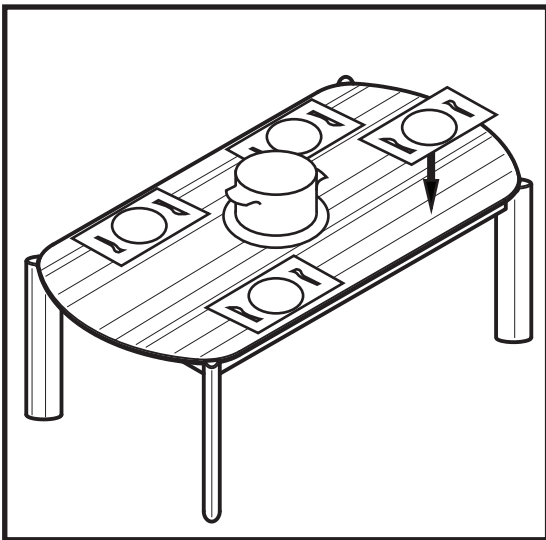
Wood is very susceptible to changes in the humidity of its environment, which causes it to expand and shrink. Climate control will minimize this. A level of 40%-55% humidity with an ideal temperature of 70-72 degrees Fahrenheit should be maintained.

Preventative Measures:

Oil finished, wood products are naturally porous, which means placemats and/or tablecloths must be used whenever possible to preserve the look and feel of the wood surface. Spills must be cleaned immediately to prevent discoloration and/or permanent damage.

Cleaning:

Only use cold water and a soft microfiber cloth to clean food, dust or spills. Wipe in the direction of the wood grain. **Do not use abrasive cleaning products. Do not use household cleaning products that contain degreasers as they remove the finish from the wood over time.**



Temperature:

Do not put any extremely hot or cold food items/ beverages in direct contact with the wood surface as this may cause marking or damage to the finish.

Sunlight:

Ensure that your table is not exposed to direct sunlight for extended periods of time. This may cause discoloration as well as shrinking and cracking as the surface temperature changes throughout the day.

