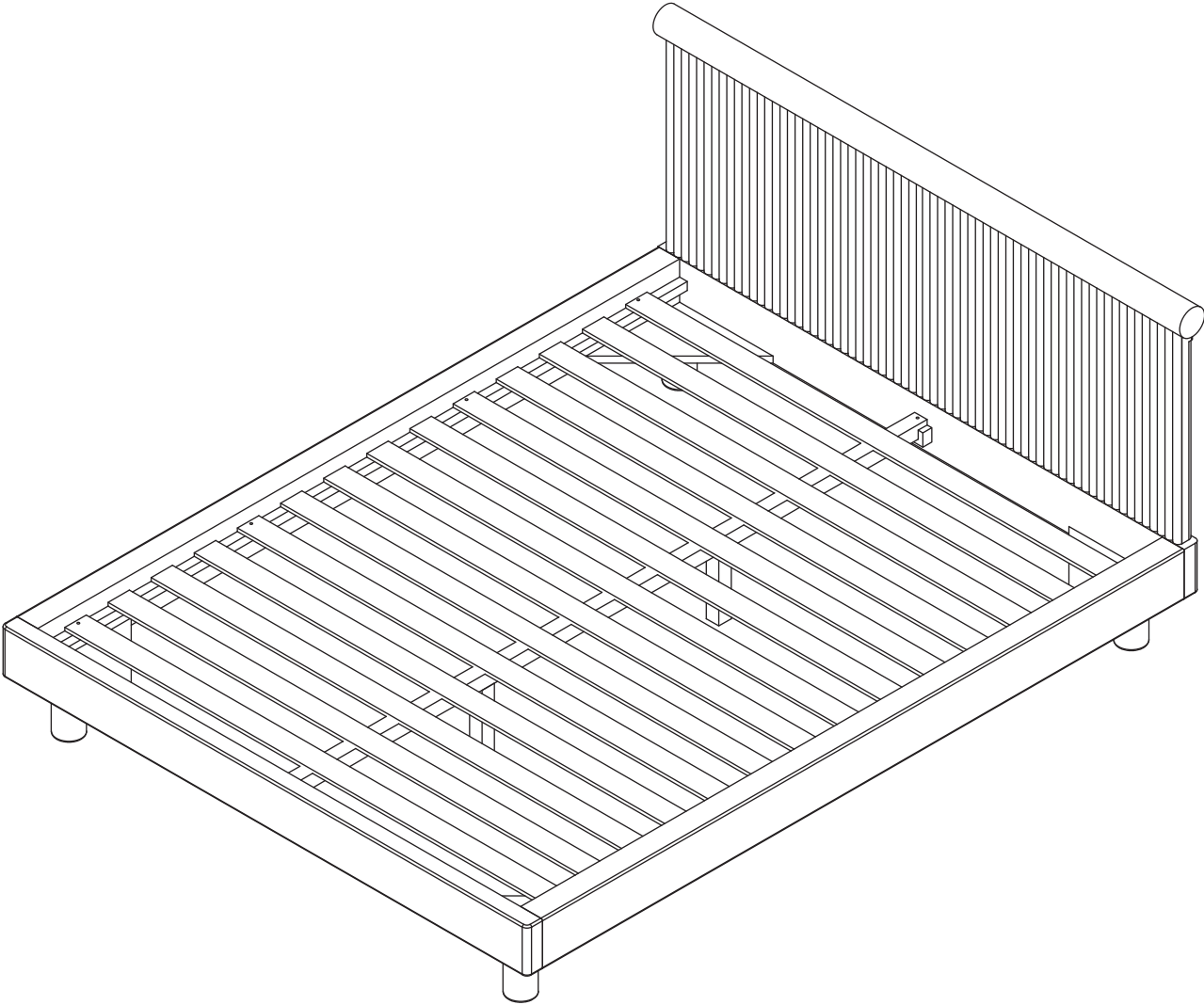
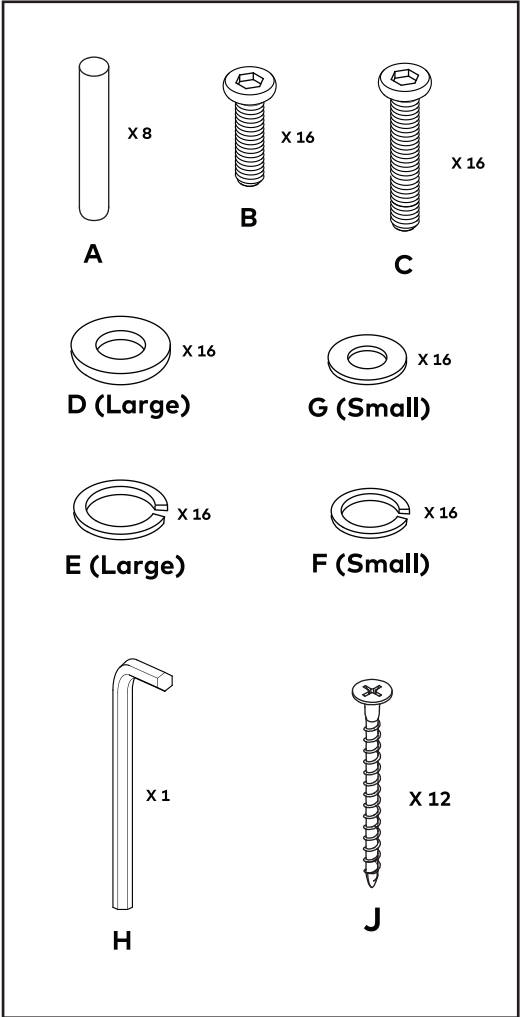


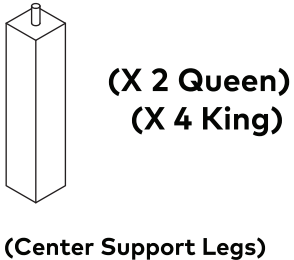
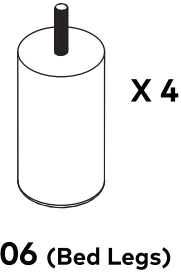
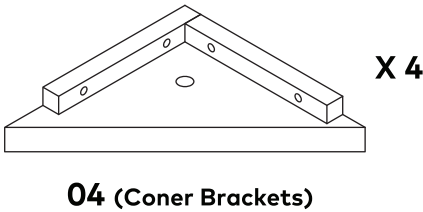
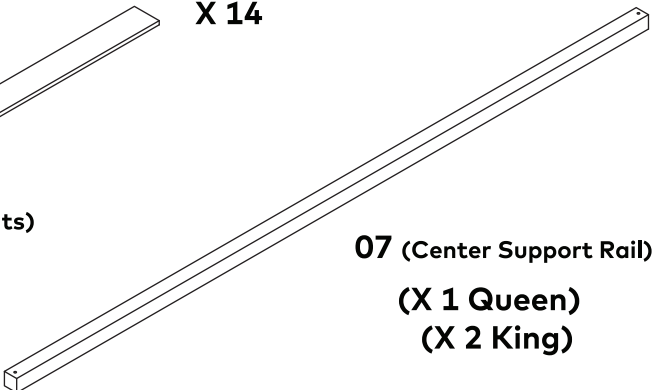
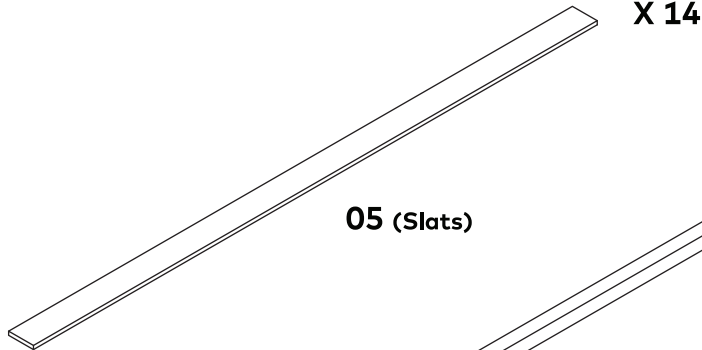
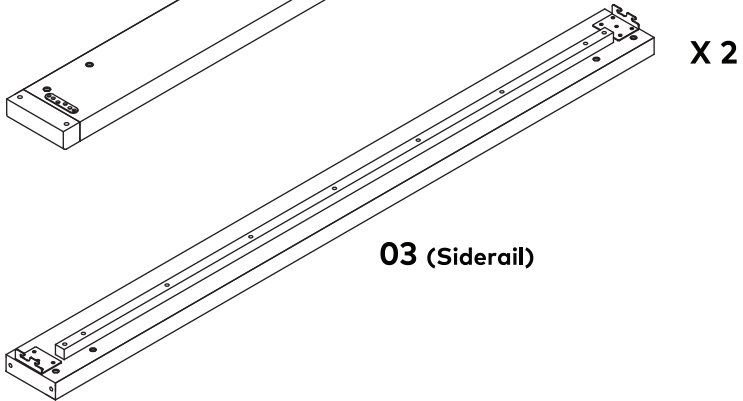
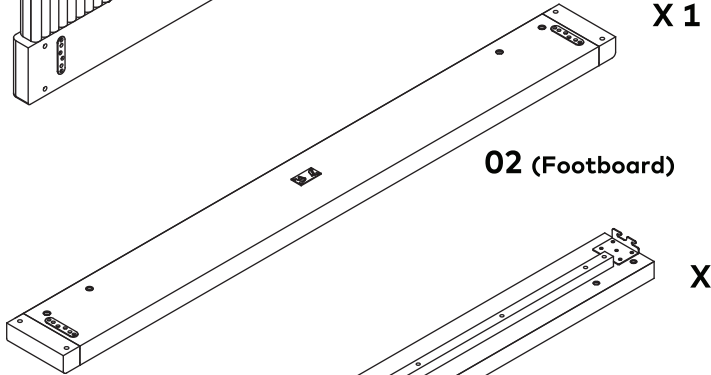
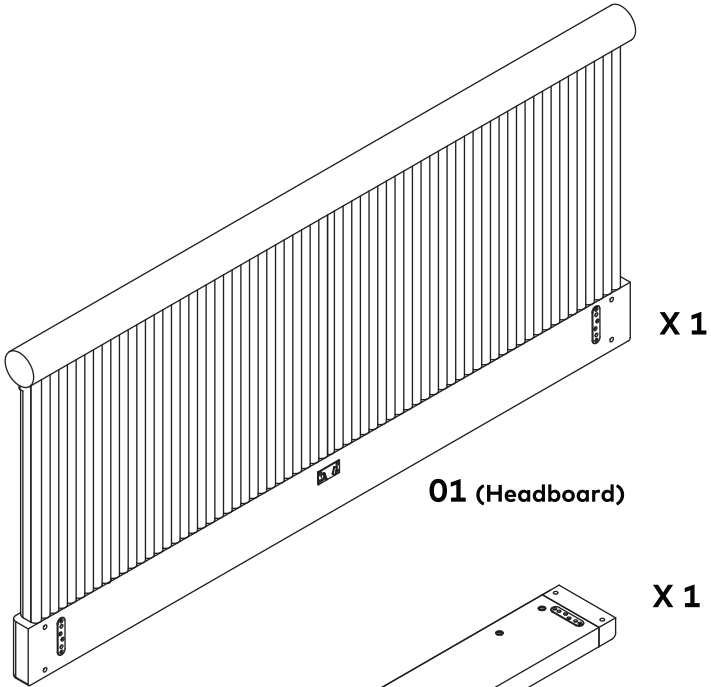
Odeon King & Queen Bed

ASSEMBLY INSTRUCTIONS

Keep all packaging materials until you have verified all components and parts.

We recommend assembling the bed with two people.

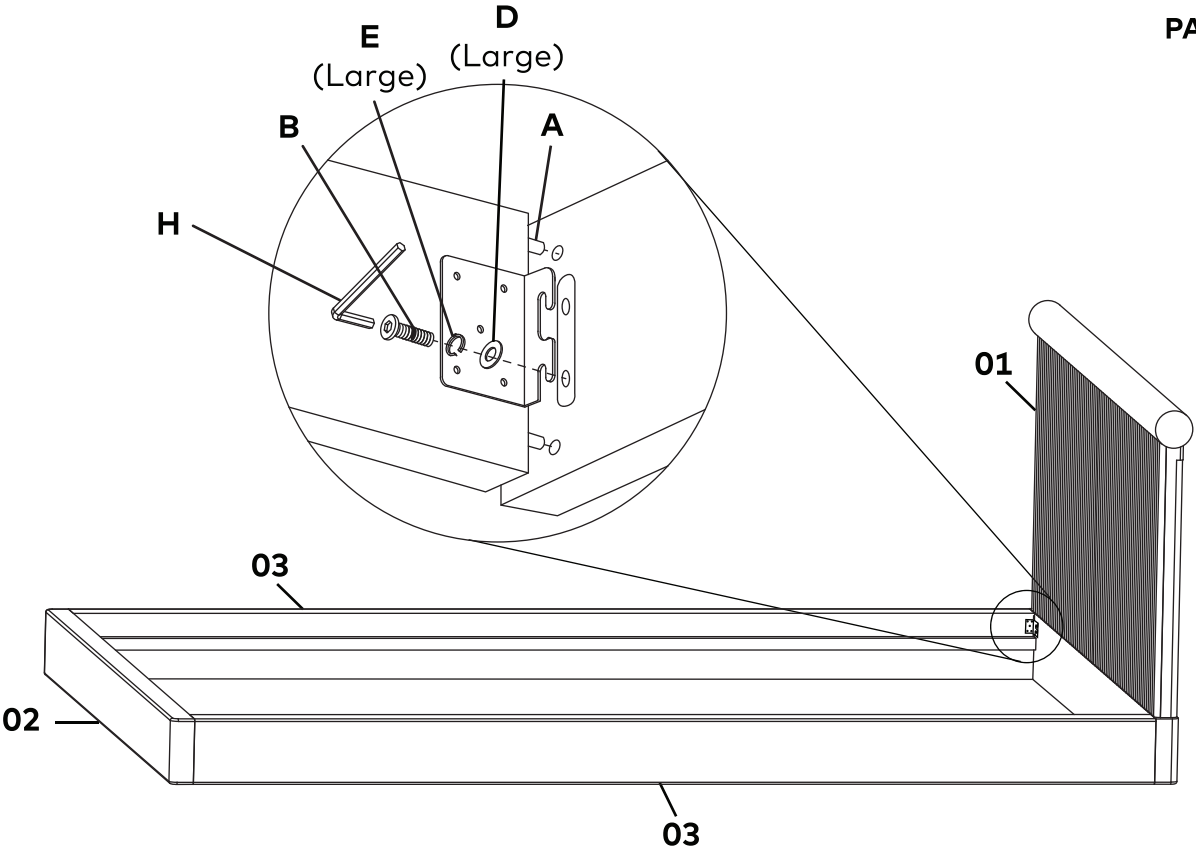




Step 1

SIDE RAIL INSTALLATION

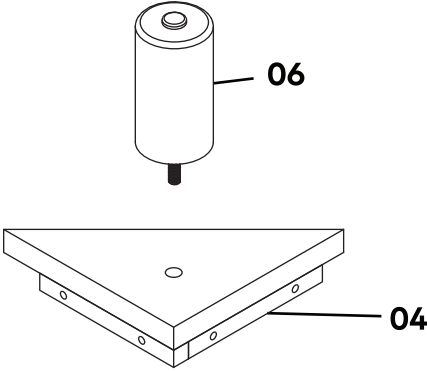
1. Insert dowle (A) into the top and bottom holes on each end of the side rails (03).
2. Connect the side rails (03) to the headboard (01) and footboard (02) by inserting the dowels (A) into the holes located on the inside edge of the headboard and footboard.
3. Secure side rails to the headboard and footboard by bolting them together, using the hardware in the listed order shown and tighten with the Allen key (H). Repeat x 8



Step 2

LEG INSTALLATION

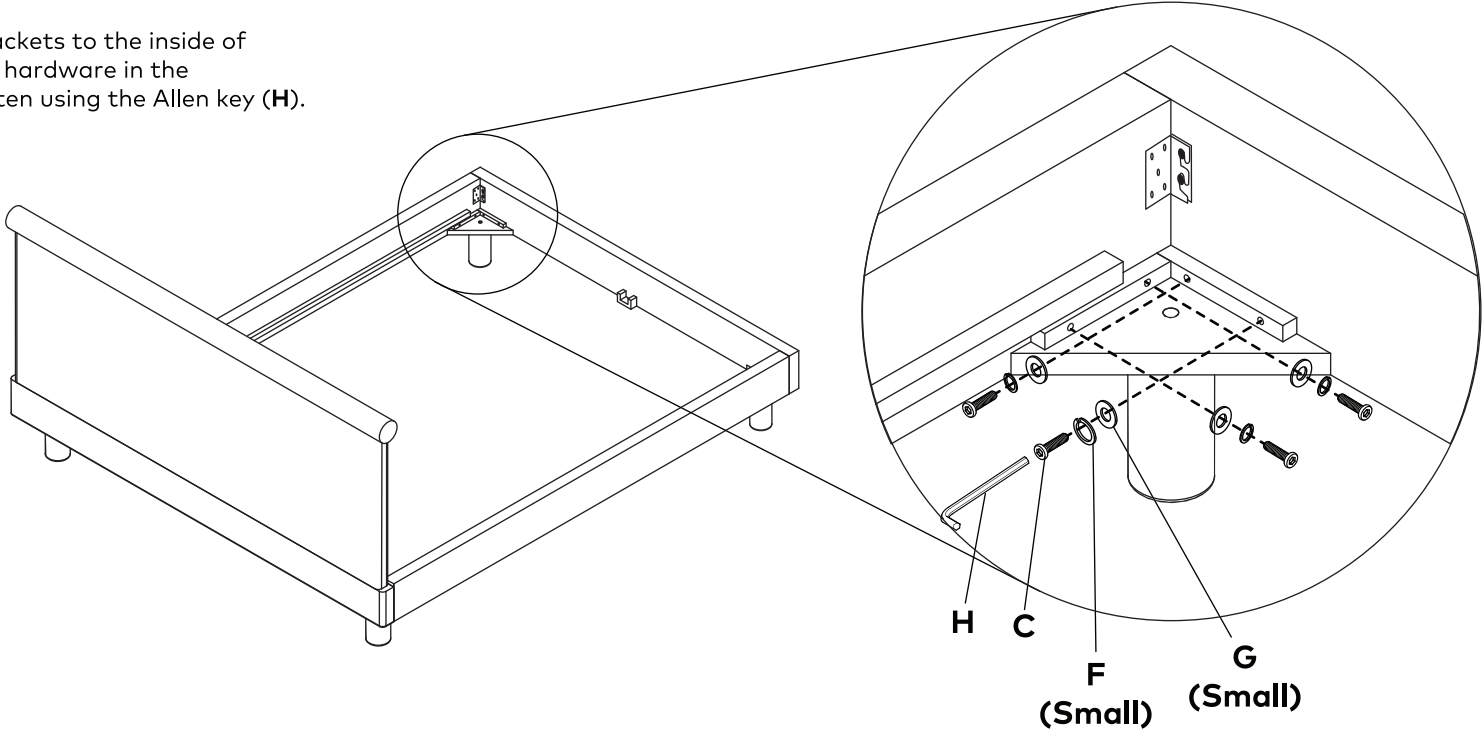
1. Thread the legs (06) into the threaded inserts located in the center of the corner brackets (04). Repeat x 4



Step 3

CORNER BRACKET INSTALLATION

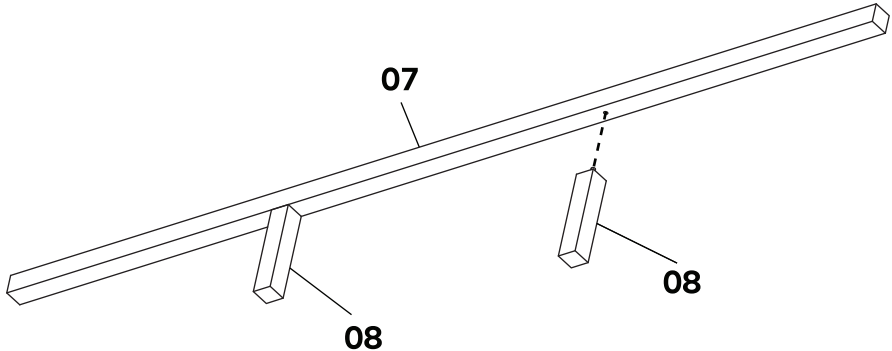
1. Attach the corner brackets to the inside of the bed frame using the hardware in the listed order shown. Tighten using the Allen key (H).



Step 4

ASSEMBLE CENTER SUPPORT(S)

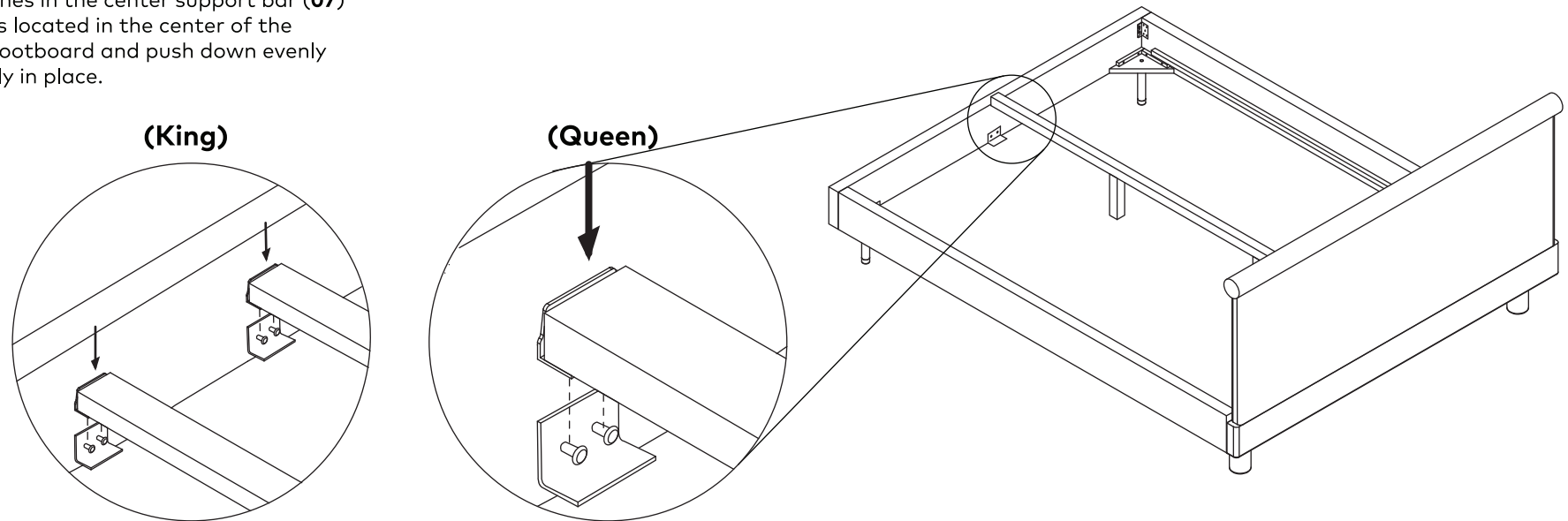
1. Screw the square legs (08) into the center support bar (07). For King size repeat X 2



Step 5

CENTER SUPPORT INSTALLATION

1. Align the notches in the center support bar (07) with the brackets located in the center of the headboard and footboard and push down evenly until seated firmly in place.



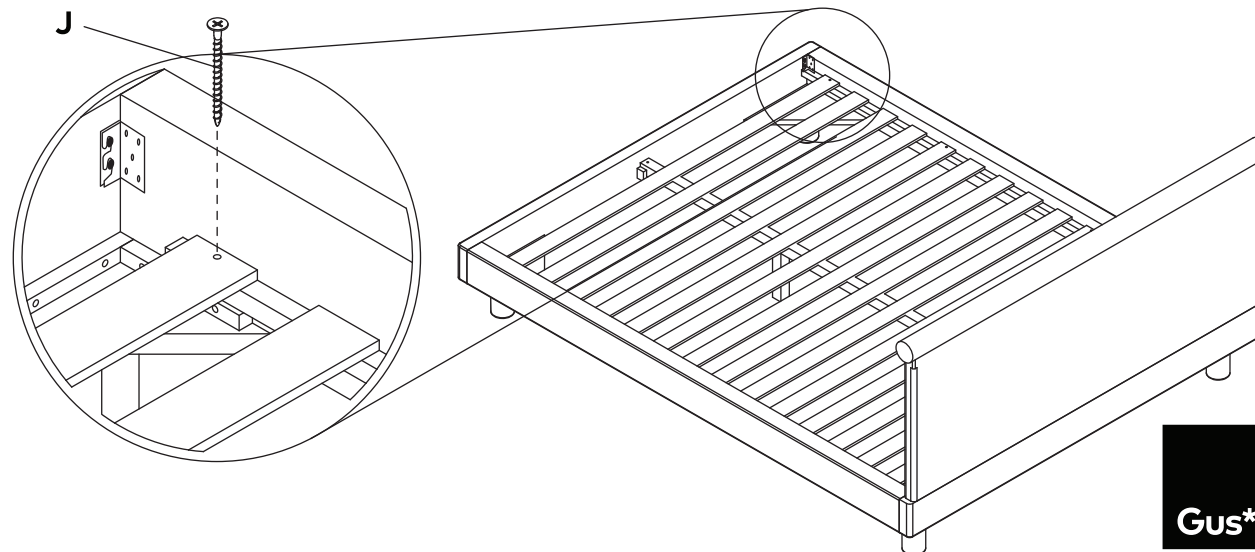
Step 6

INSTALL WOOD SLATS

1. Starting at the headboard unroll the bedslats onto the side rail cleats and center support. Position slats so they are evenly placed on the cleats.

2. Fasten screws (J) through the pre-drilled slat holes into the side rail cleats, to secure the slats.

3. Place your mattress onto the complete Odeon bed frame and enjoy!



Modern
furniture
made
simple.

Wood Care - Rubio Monocoat

Select designs feature wood that is finished with Rubio Monocoat - an environmentally friendly, oil-based protector designed to highlight the beauty of natural wood. These designs require special care to ensure they maintain their appearance. Please read and follow the directions below.

Shrinking, Cracking, Warping:

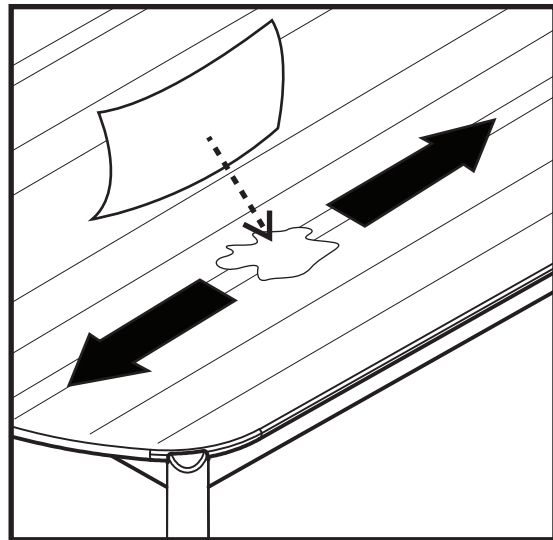
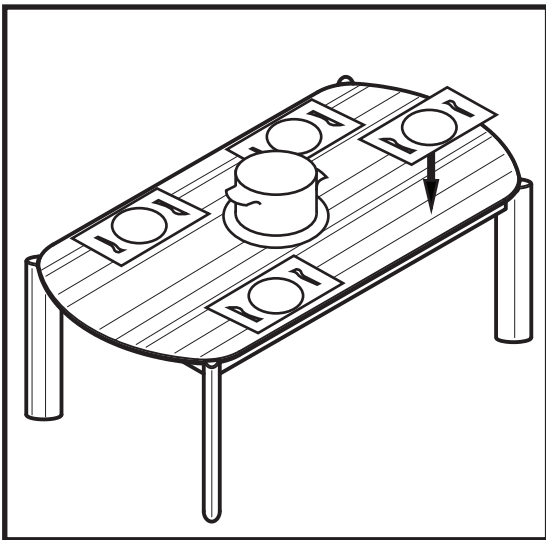
Wood is very susceptible to changes in the humidity of its environment, which causes it to expand and shrink. Climate control will minimize this. A level of 40%-55% humidity with an ideal temperature of 70-72 degrees Fahrenheit should be maintained.

Preventative Measures:

Oil finished, wood products are naturally porous, which means placemats and/or tablecloths must be used whenever possible to preserve the look and feel of the wood surface. Spills must be cleaned immediately to prevent discoloration and/or permanent damage.

Cleaning:

Only use cold water and a soft microfiber cloth to clean food, dust or spills. Wipe in the direction of the wood grain. **Do not use abrasive cleaning products. Do not use household cleaning products that contain degreasers as they remove the finish from the wood over time.**



Temperature:

Do not put any extremely hot or cold food items/ beverages in direct contact with the wood surface as this may cause marking or damage to the finish.

Sunlight:

Ensure that your table is not exposed to direct sunlight for extended periods of time. This may cause discoloration as well as shrinking and cracking as the surface temperature changes throughout the day.

