

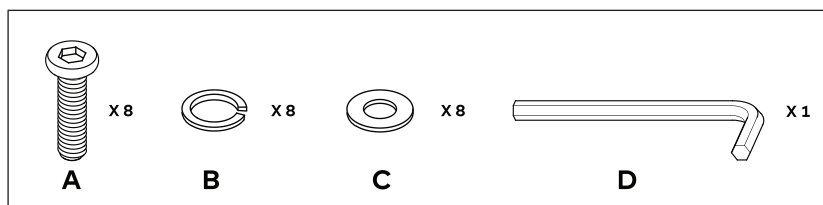
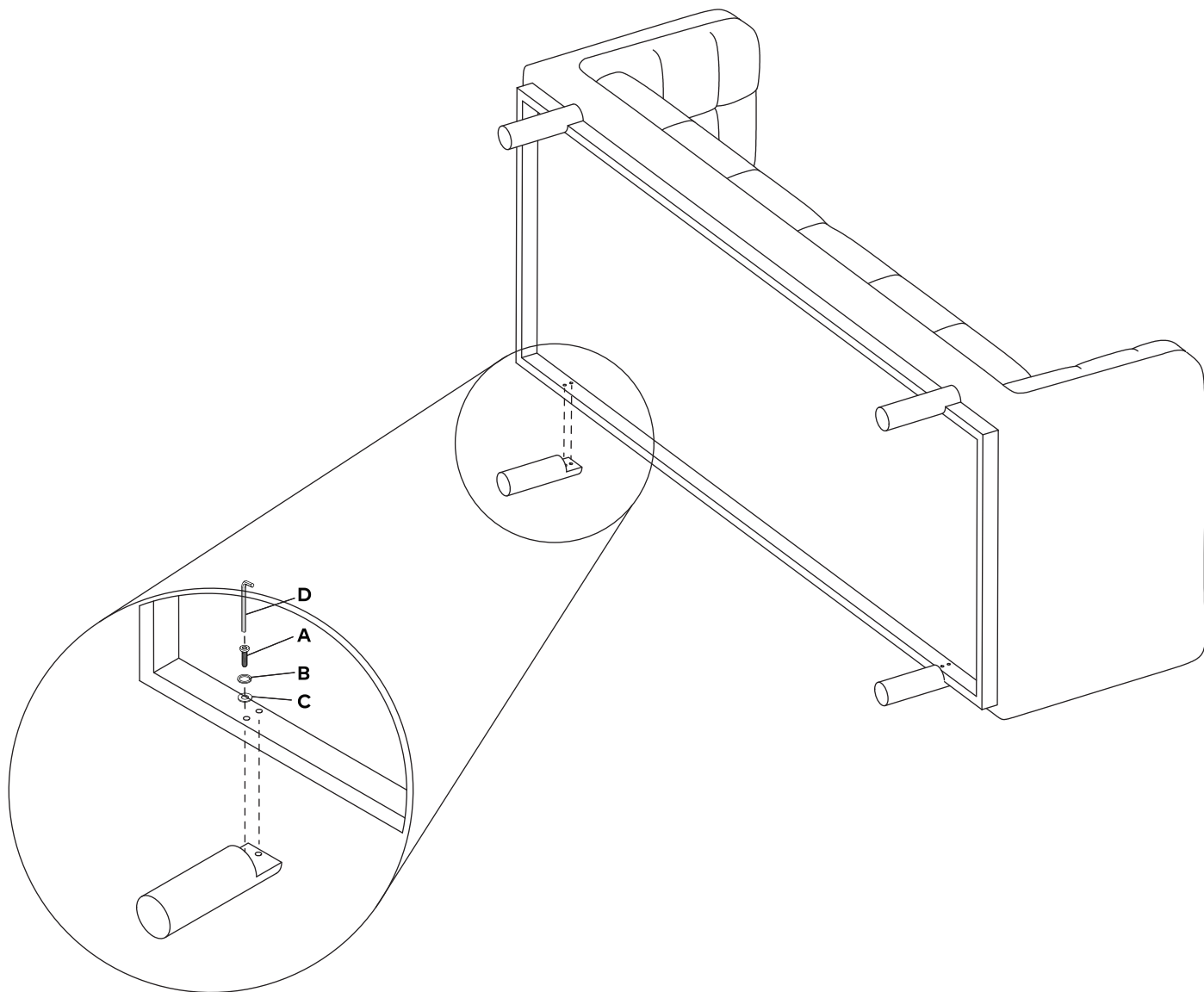
Mulholland Sofa

ASSEMBLY INSTRUCTIONS

KEEP ALL PACKAGING MATERIALS UNTIL YOU HAVE VERIFIED ALL COMPONENTS AND PARTS

1. Gently rest the back of the sofa onto a clean flat surface.
2. To install the wooden legs, align the holes of the legs with the holes on the wood surround base of the sofa. Secure the legs into the holes with the provided screws and washers.

To help maintain the appearance of your sofa, we recommend spot cleaning the upholstery with a gentle soap and water. Wood can be cleaned with a damp, soft cloth. Do not use abrasive cleaning products.



Modern
furniture
made
simple.