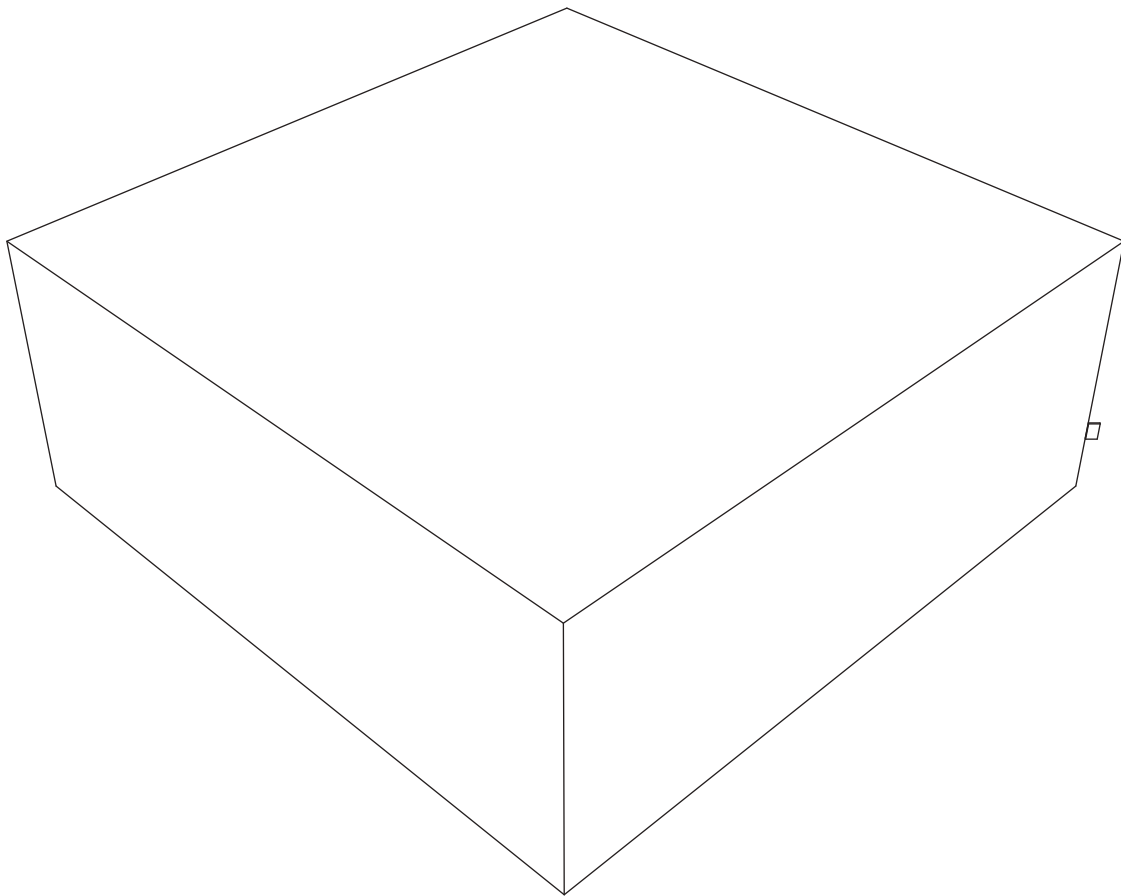


Ottoman

Mix Modular Collection

To help maintain the appearance of the Mix Modular Collection fabric we recommend it be vacuumed regularly, and kept out of direct sunlight to prevent fading. Blot spills immediately with a clean, absorbent white cloth.



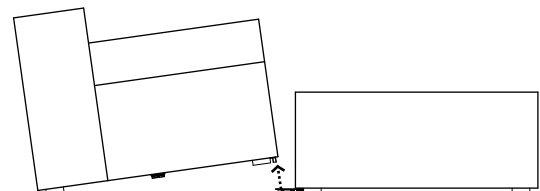
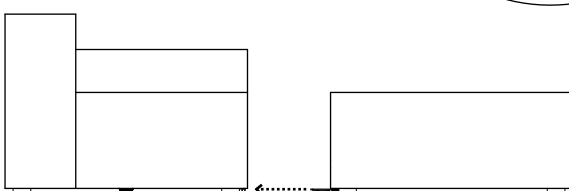
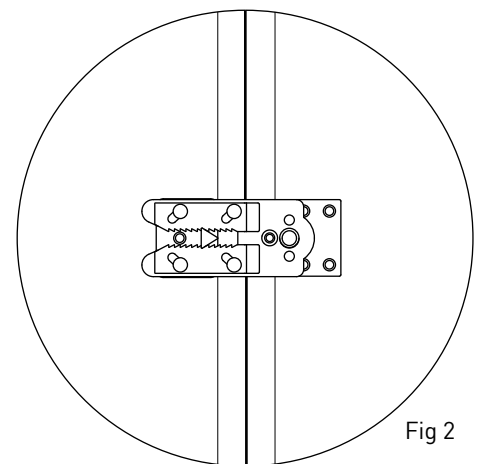
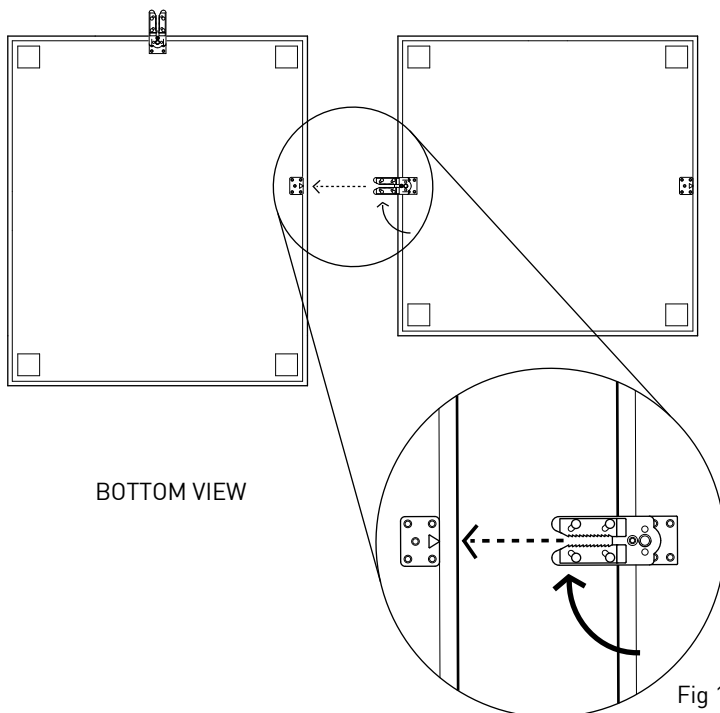
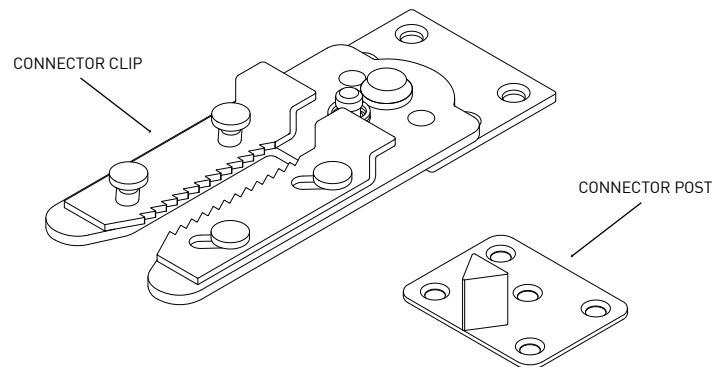
Modern
furniture
made
simple.

Mix Modular Series

Depending on the flooring surface that your Mix Modular will rest on, you may wish to attach the components using the integrated connectors.

Attaching Components

- 1 Position your Mix Modular components in the desired configuration and location.
- 2 To join adjacent components, rotate the Connector Clip of the first component so that it becomes perpendicular with the bottom edge. See Fig 1
- 3 Align the Connector Clip with the Connector Post on the adjacent component, and push together until they lock in place. See Fig 2
- 4 To separate and rearrange your connected Mix Modular components, simply lift the edge of the component with the Connector Post upwards until it slides out of the Connector Clip on the adjacent component.



Connector Removal

The Mix Modular is designed to allow an infinite number of possible arrangements. In some configurations, unused connector hardware may be visible. Should you desire to remove the hardware that is not in use, simply tip the component on its back and unscrew the visible hardware with a Phillips head screwdriver. Ensure you keep the removed hardware and screws to enable future expansion or reconfiguration of your Mix Modular components.