

Mimico Storage Ottoman

ASSEMBLY INSTRUCTIONS

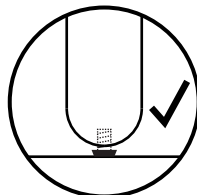
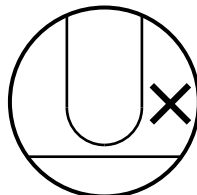
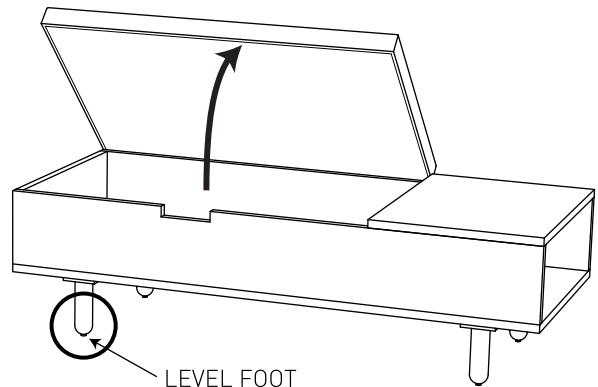
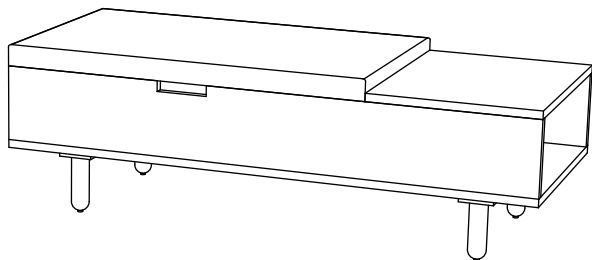
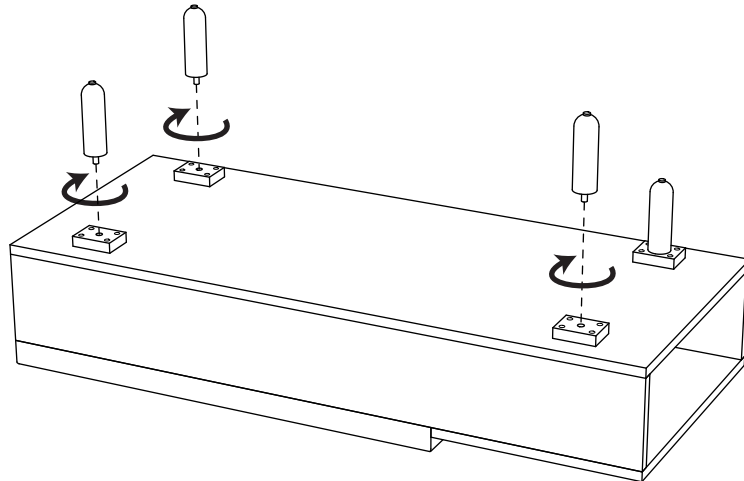
KEEP ALL PACKAGING MATERIALS UNTIL YOU HAVE VERIFIED ALL COMPONENTS AND PARTS

- 1 Holding the upholstered lid closed, gently place the storage ottoman upside-down, on a flat clean surface such as a rug.
- 2 Secure each threaded leg by screwing into the holes on the bottom of the storage ottoman.
- 3 Return storage ottoman to the upright position, being careful to not put excessive pressure on any individual leg.
- 4 Before placing items inside or on top of your storage ottoman, be sure that each level foot has been adjusted so that it makes contact with the floor. With the storage ottoman in place, turn the level foot counter-clockwise until it rests on the floor firmly. This will help to keep the unit level.

DEPENDING ON USE, IT MAY BE NECESSARY TO TIGHTEN THE LEGS PERIODICALLY TO MAXIMIZE STABILITY.

CARE & CLEANING

The Mimico Storage Ottoman has a wood veneer finish and solid wood legs. All wood components have distinct grain patterns, making each piece of furniture unique. To help maintain the appearance, we recommend cleaning the wood surfaces with a damp, soft cloth. Fabric can be spot cleaned with a gentle soap and water, or carefully vacuumed. **Do not use abrasive cleaning products.**



Modern
furniture
made
simple.