

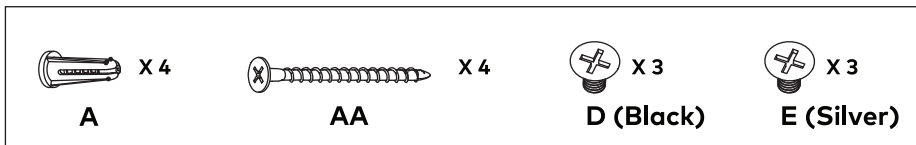
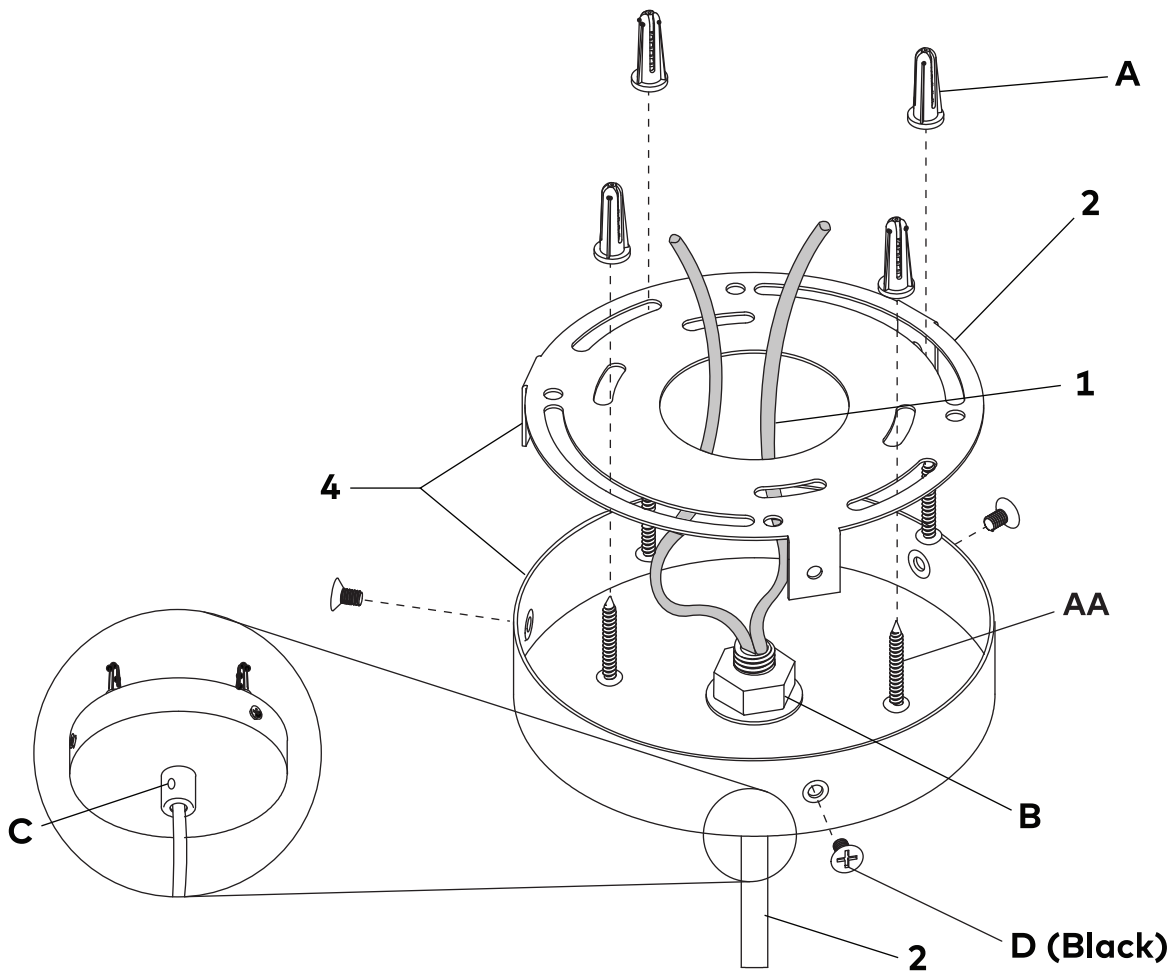
Milton Small Pendant

ASSEMBLY INSTRUCTIONS

THE SAFETY OF THIS FIXTURE IS ONLY GUARANTEED IF THE FOLLOWING INSTRUCTIONS HAVE BEEN OBSERVED. KEEP ALL PACKAGING MATERIALS UNTIL YOU HAVE VERIFIED ALL COMPONENTS AND PARTS

Always disconnect power before working on a lighting fixture. Fixture must not be installed in any position other than shown in instructions. Always use a certified electrician for wiring of fixtures.

1. Pull the wires through the ceiling cover. To adjust the height of the lampshade, use the compression nut (**B**) and set screw (**C**) to release and adjust the wire to the desired height. When desired height is reached, tighten both the nut and screw to lock the cord in place. If hanging the lampshade above a table or countertop, we recommend a height of 30 inches above the surface.
2. Attach the mounting plate to the ceiling or junction box using provided screws (**AA**) and the provided drywall plugs (if necessary) (**A**).
3. Connect the matching wires to each other and attach the ground wire to the junction box.
4. Place the cover over the mounting plate and wires, line up the cover holes with the mounting plate holes and secure with the black set screws (**D**).
5. Install a lightbulb into the socket. Bulb wattage should not exceed 60W or the LED equivalent.
6. Install the diffuser to the bottom of the pendant using the 3 screws (**E**). This lamp is for indoor use only.



Modern furniture made simple.

