

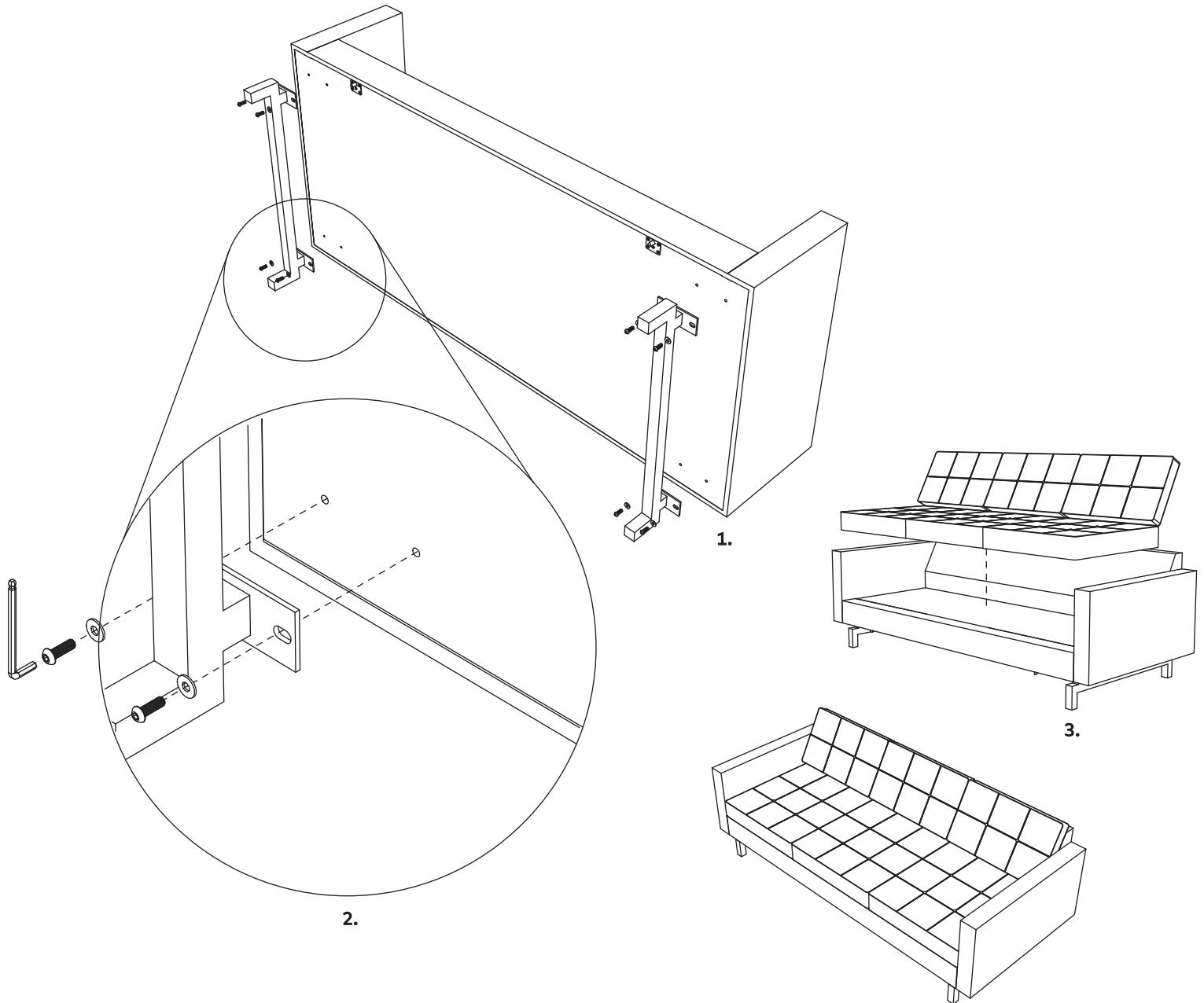
# Jane 2 Loft Bi-Sectional

## ASSEMBLY INSTRUCTIONS

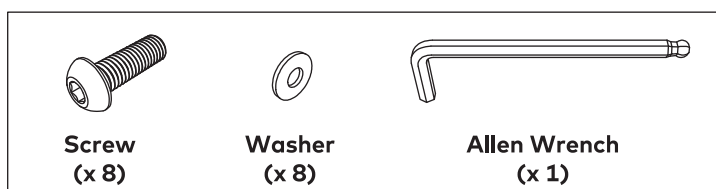
KEEP ALL PACKAGING MATERIALS UNTIL YOU HAVE VERIFIED ALL COMPONENTS AND PARTS.

1. Gently rest the back of the sofa onto a clean, flat surface.
2. To install the wood legs, align the holes of the steel plates with the threaded inserts on the underside of the Sofa. Secure the legs into the threaded inserts with the provided screws and washers.
3. Place seat cushions onto assembled sofa base.

DEPENDING ON USE IT MAY BE NECESSARY TO TIGHTEN THE LEGS PERIODICALLY TO MAXIMIZE STABILITY.



Assembled Sofa



Modern  
furniture  
made  
simple.

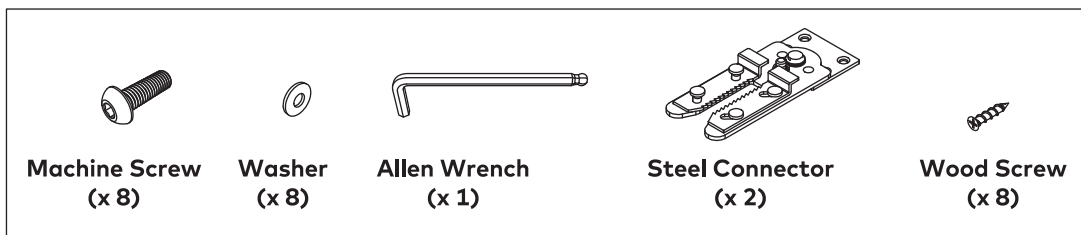
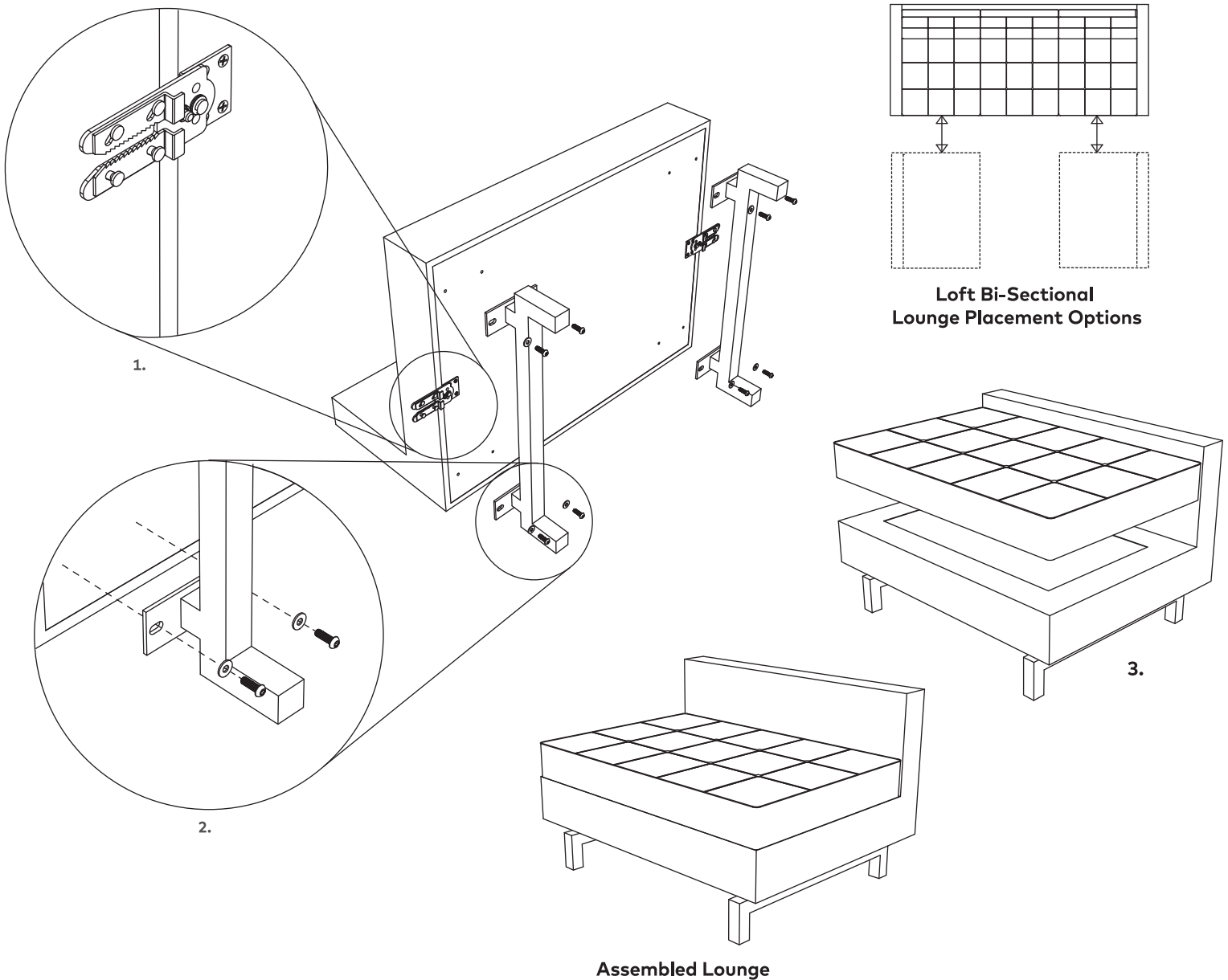
# Jane 2 Loft Bi-Sectional

## ASSEMBLY INSTRUCTIONS

**KEEP ALL PACKAGING MATERIALS UNTIL YOU HAVE VERIFIED ALL COMPONENTS AND PARTS.**

1. Turn Lounge onto it's back. If being used with the Jane 2 Sofa determine which steel connector is required and remove the steel connector that is redundant.
2. To install the wood legs, align the holes of the steel plates with the threaded inserts on the underside of the Lounge. Secure the legs into the threaded inserts with the provided screws and washers.
3. Place seat cushion onto assembled Lounge base.

**DEPENDING ON USE IT MAY BE NECESSARY TO TIGHTEN THE LEGS PERIODICALLY TO MAXIMIZE STABILITY.**



Modern  
furniture  
made  
simple.