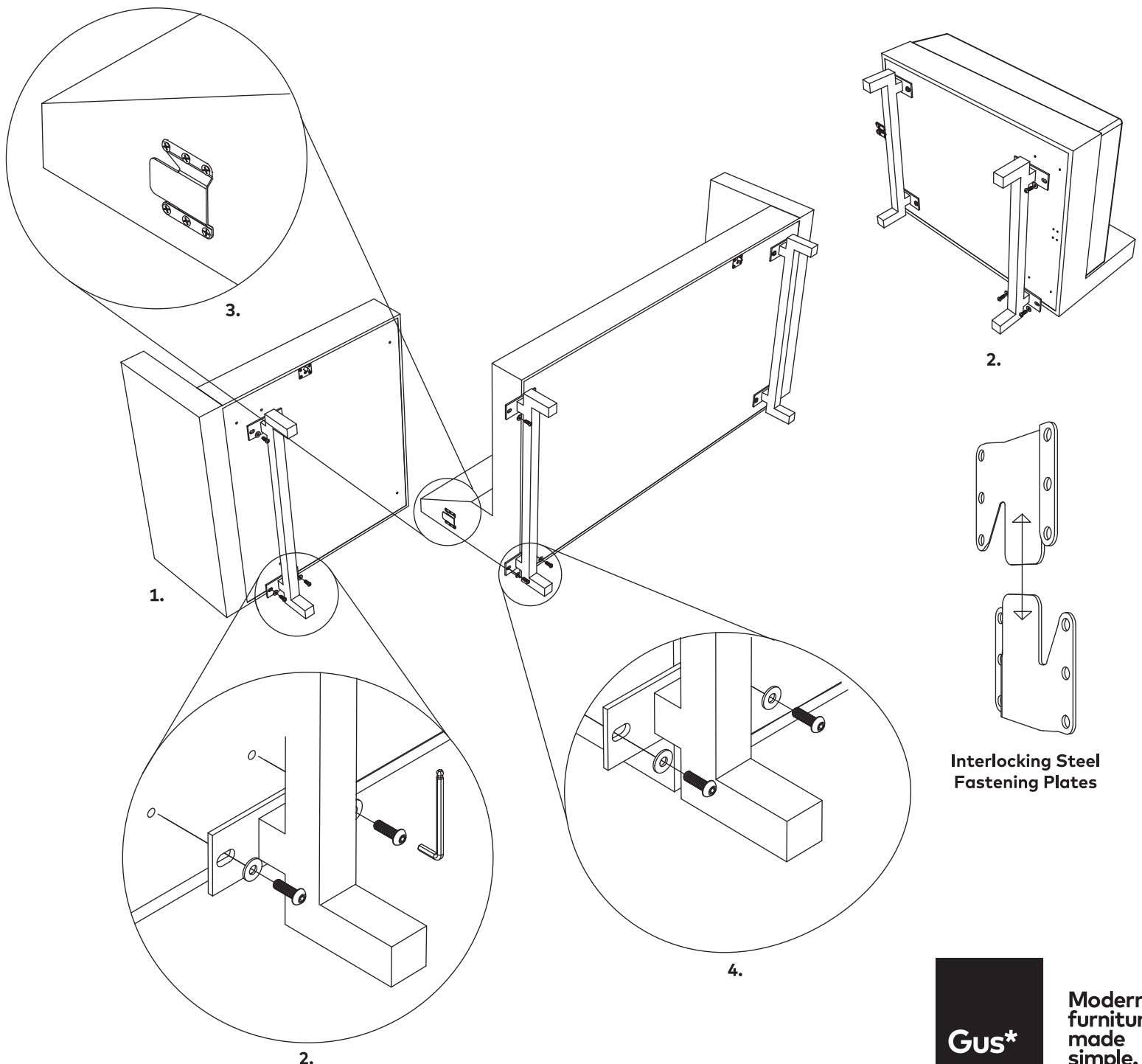


Jane 2 Bi-Sectional

ASSEMBLY INSTRUCTIONS

KEEP ALL PACKAGING MATERIALS UNTIL YOU HAVE VERIFIED ALL COMPONENTS AND PARTS.

1. Gently rest the back of the two sofa components and ottoman onto a clean, flat surface.
2. To attach the two outside wood legs to the sofa components, use the provided Allen Wrench to tighten the screws through the mounting plates into the threaded inserts using the washers as shown. Attach the wood legs into the underside of the ottoman in a similar way and set aside.
3. With the sofa components still on their backs line up the steel fastening plates, located on the inside faces of the back rests, and push the sofa components into alignment.
4. To further secure and support the two sofa components, use the provided Allen Wrench to attach the wood legs. Tighten the screws and washers, going through the wood legs steel mounting plates and into the threaded inserts in the underside of the two sofa components as shown.



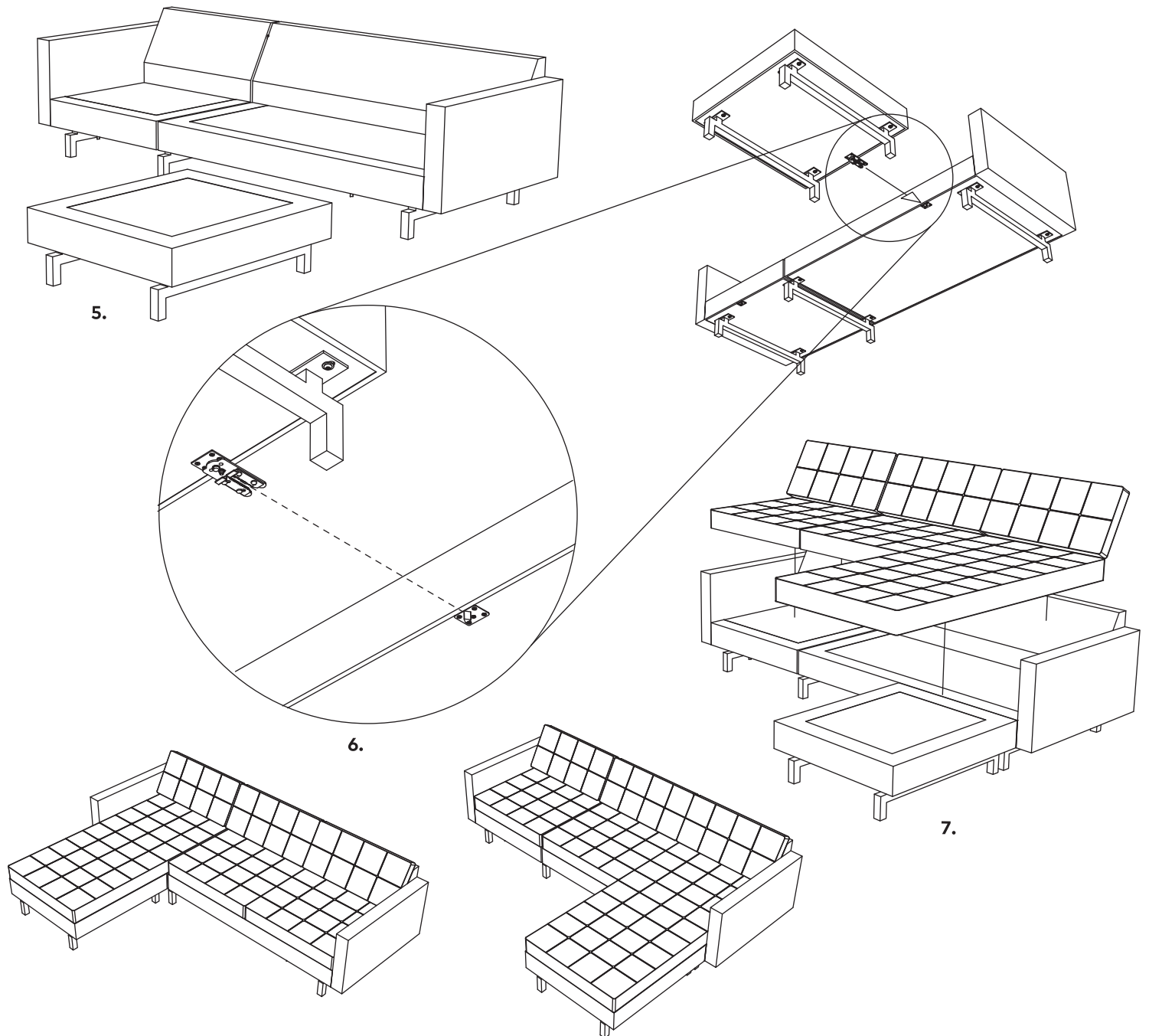
Modern
furniture
made
simple.

Jane 2 Bi-Sectional

ASSEMBLY INSTRUCTIONS

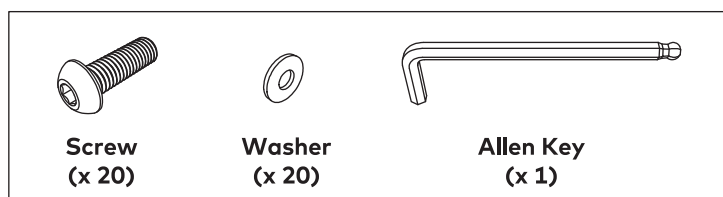
5. Turn the two joined sofa components upright, being careful not to put excessive pressure on any individual leg.
6. Align steel upholstery fasteners and push the ottoman into position on the left or right side.
7. Place cushions on assembled sofa.

DEPENDING ON USE IT MAY BE NECESSARY TO TIGHTEN THE LEGS PERIODICALLY TO MAXIMIZE STABILITY.



Ottoman Attached On Left Side

Ottoman Attached On Right Side



Modern
furniture
made
simple.