

Tobias End Table

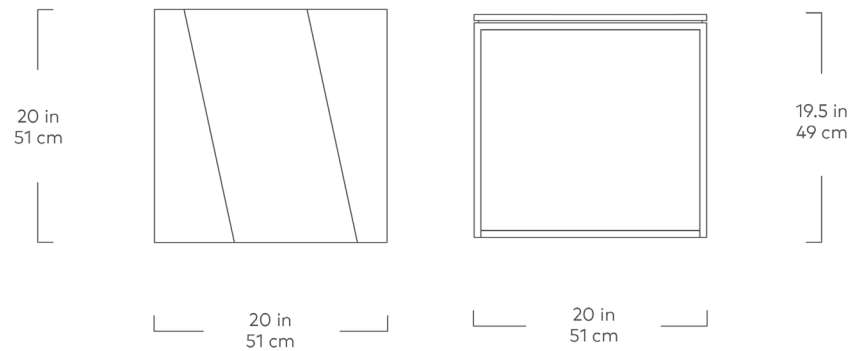


Walnut

The Tobias End Table is a minimalist, geometric accent piece well suited for modern spaces. The square top features a dynamic arrangement of walnut wood grain panels, which rest on a slim, solid steel base. A subtle reveal along the table edge creates the illusion of a floating top.

Design Trade Professionals: We aim to keep our designs in stock and ready to ship quickly for projects on a tight timeline. Designs may be customized with COM and alternate finishes (minimum quantities may apply). Visit gusmodern.com for more information about our Trade & Contract programs.

Tobias End Table



- Top is constructed with an engineered wood core for strength and stability.
- Real-wood veneer top surface with water-based, clear coat finish.
- Bench-made, solid, steel base with durable, powder-coat finish.
- Bumpers on the bottom of base to protect hardwood floors.
- Wood is a natural material, with variations in grain pattern and colour that make each design unique.