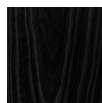


Principal Chair



Blonde
Ash

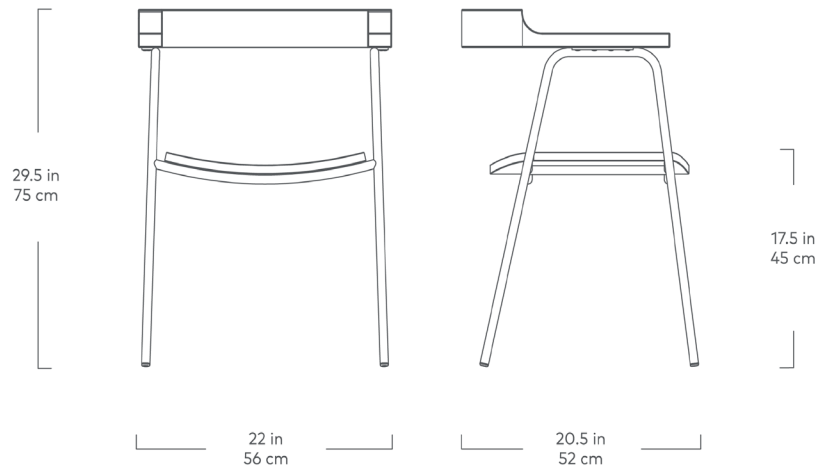


Black
Ash

The Principal Chair brings an element of sculptural simplicity to any space. The solid wood back, bent plywood seat and tubular steel frame create a natural harmony of texture and form that highlight the chair design and craftsmanship. Principal clean lines and slender contours are a perfect match for the Branch Shelving System desk unit.

Design Trade Professionals: We aim to keep our designs in stock and ready to ship quickly for projects on a tight timeline. Designs may be customized with COM and alternate finishes (minimum quantities may apply). Visit gusmodern.com for more information about our Trade & Contract programs.

Principal Chair



- Back rest is made from solid Ash.
- Seat is made from bent plywood and has exposed edges for detail.
- Metal frame is matte, powder-coated tubular steel.
- Legs have tack-glide bumpers to prevent floor damage.
- Complements the Branch Shelving System Desk.
- May be also used as a dining chair or accent chair.
- Wood is a natural material, with variations in grain pattern and colour that make each design unique.