

Milton Small Pendant Light

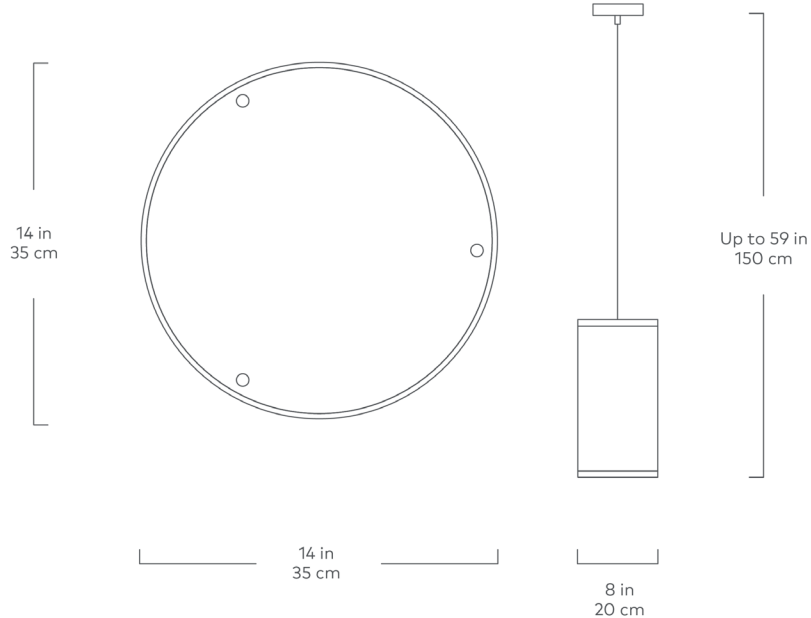


Natural
Ash Veneer

A love letter to the beauty of nature, the Milton lighting collection focuses on the unique intricacy of woodgrain to create an illuminating drum design. The petite size is ideal for adding a subtle glow above a nightstand or kitchen island and takes on a statement-making effect when grouped together. Each light fixture is encased in a natural wood veneer lampshade, with a black fabric electrical cord that lets the lighting's rustic appeal take center stage.

Design Trade Professionals: We aim to keep our designs in stock and ready to ship quickly for projects on a tight timeline. Designs may be customized with COM and alternate finishes (minimum quantities may apply). Visit gusmodern.com for more information about our Trade & Contract programs.

Milton Small Pendant Light



- Crafted from a piece of natural ash veneer.
- Has a plastic inner lining and finished with a fabric trim at the top and bottom.
- Drum shade has a translucent acrylic diffuser at the bottom.
- 4' long twisted black fabric electrical cord connects to a black, round metal ceiling plate.
- Also available as large hanging shade.
- Group a couple of smaller shades with a large hanging shade to create an eye-catching vignette.
- UL Listed.
- Professional installation required.
- Recommended lightbulb is a 60W bulb or LED equivalent.
- Wood is a natural material, with variations in grain pattern and colour that make each design unique.