

Milton Large Pendant Light

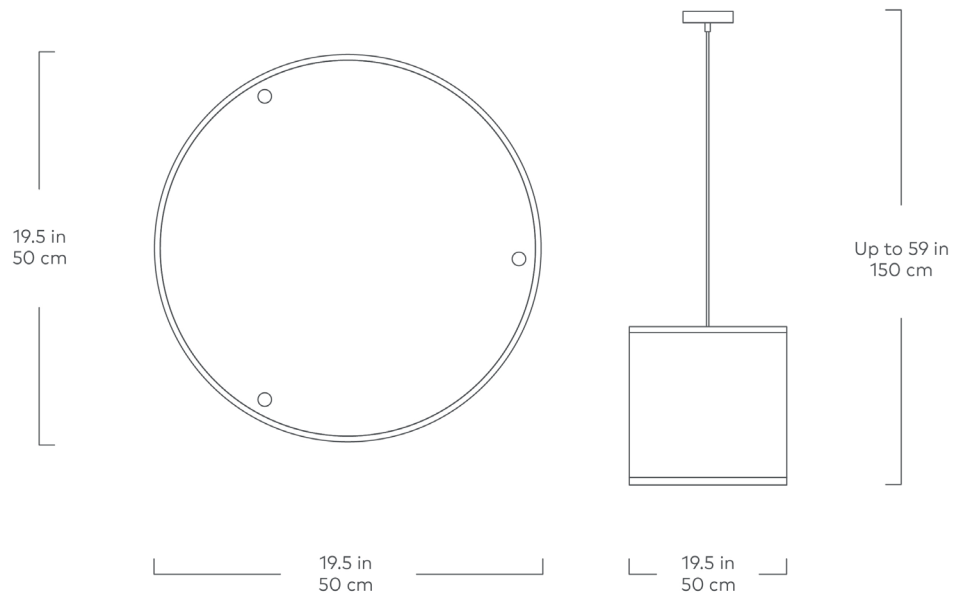


Natural
Ash Veneer

A love letter to the beauty of nature, the Milton lighting collection focuses on the unique intricacy of woodgrain to create an illuminating, one-of-a-kind design. The oversized shape easily grabs attention when hung solo over a dining table but looks equally stunning alongside additional shades in a group vignette. Each light fixture is encased in a natural wood veneer lampshade, with a black fabric electrical cord that lets the lighting's rustic appeal take center stage.

Design Trade Professionals: We aim to keep our designs in stock and ready to ship quickly for projects on a tight timeline. Designs may be customized with COM and alternate finishes (minimum quantities may apply). Visit gusmodern.com for more information about our Trade & Contract programs.

Milton Large Pendant Light



- Crafted from a piece of natural ash veneer.
- Has a plastic inner lining and finished with a fabric trim at the top and bottom.
- Drum shade has a translucent acrylic diffuser at the bottom.
- 4' long twisted black fabric electrical cord connects to a black, round metal ceiling plate.
- Also available as a smaller hanging shade.
- Group large shade with a couple of small hanging shades to create an eye-catching vignette.
- UL Listed.
- Professional installation required.
- Recommended lightbulb is a 60W bulb or LED equivalent.
- Wood is a natural material, with variations in grain pattern and colour that make each design unique.