

Aero Bar Stool



FRAME



Swan



Sage



Black

SEAT

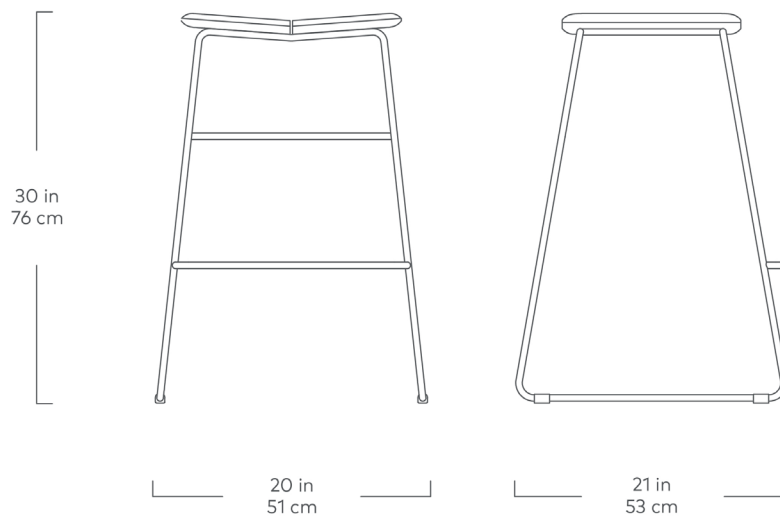


Natural
Ash

Taking cues from contemporary Scandinavian design, the Aero Bar Stool features a gently rounded seat made from two perfectly balanced pieces of solid FSC®-certified Ash wood set atop an airy, curved metal frame. Playful and lightweight, it's the ideal perch for cocktail hour. Choose from three of-the-moment hues that will breathe life into your decor. Also available as a Stool and Counter Stool.

Design Trade Professionals: We aim to keep our designs in stock and ready to ship quickly for projects on a tight timeline. Designs may be customized with COM and alternate finishes (minimum quantities may apply). Visit guscontract.com for more information about our Trade & Contract programs.

Aero Bar Stool



- Standard 30" Bar Stool height.
- Oil-based clear coat finish on seat.
- Seat is solid 100% FSC®-Certified ash in support of responsible forest management (FSC® 092551).
- Powder-coated curved frame is bench-made from solid, round steel.
- Ergonomic footrest adds functional style and increases stability.
- Plastic bumpers on legs to protect hardwood floors.
- Wood is a natural material, with variations in grain pattern and colour that make each design unique.

