

# Truss Chair



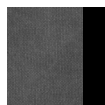
Vegan  
Appleskin  
Leather  
Cognac



Vegan  
Appleskin  
Leather  
Licorice



Himalaya  
Cloud



Vintage  
Mineral

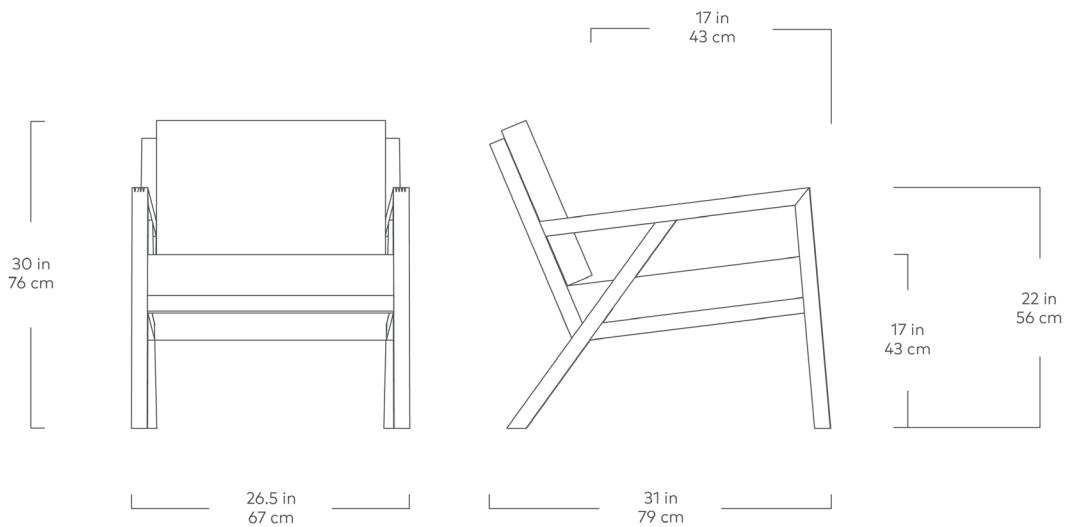


Vintage  
Smoke

Inspired by the work of the Sarasota School of Architecture, the Truss is a mid-century styled chair that features a solid, natural Ash frame and finger joint detailing on the arms. At home in both modern and traditional spaces, this chair brings an appealing, laid-back style to any space. Available in fabric or Vegan AppleSkin™ Leather, our bio-based upholstery material that offers a quality, eco-friendly alternative to leather.

Design Trade Professionals: We aim to keep our designs in stock and ready to ship quickly for projects on a tight timeline. Designs may be customized with COM and alternate finishes (minimum quantities may apply). Visit [gusmodern.com](https://gusmodern.com) for more information about our Trade & Contract programs.

# Truss Chair



- Seat and back cushions are Dacron -wrapped to maintain a structured shape.
- Solid hardwood frame with finger-joint detail on the arms.
- Available in our award-winning, eco-friendly Vegan AppleSkin™ Leather.
- Bumpers on the bottom of legs to protect hardwood floors.
- Frame has a water-based clearcoat finish.
- Manufactured to meet California TB117-2013 fire safety standards without the use of flame retardant additives in the upholstery foam.
- Wood is a natural material, with variations in grain pattern and colour that make each design unique.

