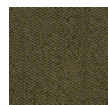
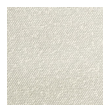


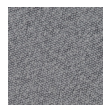
Tallinn Ottoman



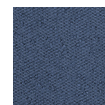
Copenhagen
Terra



Copenhagen
Fossil



Copenhagen
Iron

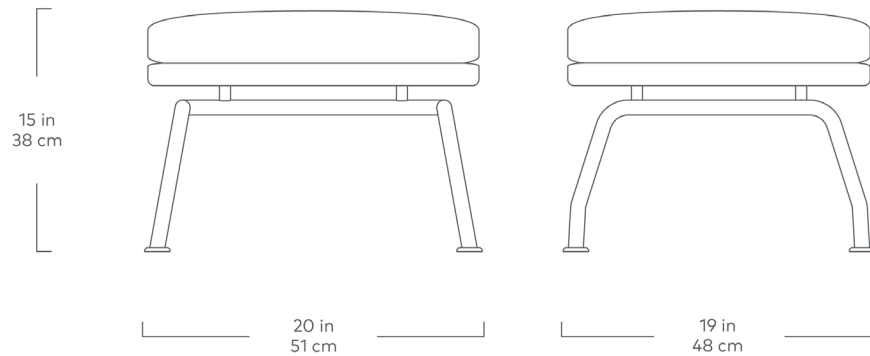


Copenhagen
Sea

Echoing the refined look of notable Scandinavian archetypes, the Tallinn Ottoman showcases a subtle sculptural quality—especially when combined with the Tallinn Chair—that gives this design its distinctive style. With an FSC®-Certified frame and slim, gently curved legs, the Tallinn Ottoman combines strength and durability with elevated elements that can be placed in a multitude of spaces.

Design Trade Professionals: We aim to keep our designs in stock and ready to ship quickly for projects on a tight timeline. Designs may be customized with COM and alternate finishes (minimum quantities may apply). Visit guscontract.com for more information about our Trade & Contract programs.

Tallinn Ottoman



- Ottoman is constructed with a slender, FSC®-Certified hardwood (FSC® 092551) frame.
- Ottoman cushion is crafted from polyurethane foam, and securely attaches to the plywood base by hook and loop fasteners.
- Loose seat cushion is crafted from polyurethane foam.
- Ottoman cushion is crafted from polyurethane foam, and securely attaches to the plywood base by hook and loop fasteners.
- Ottoman can be used as a footrest or as extra seating.
- Exposed, black powder-coated, curved metal base provides architectural detail and visual interest.
- Felt pads on all legs to protect hardwood floors.
- Matching Tallinn Chair sold separately.
- Manufactured to meet California TB117-2013 fire safety standards without the use of flame retardant additives in the upholstery foam.
- All fabric is California TB117-2013 certified and double rub tested.

