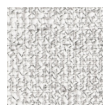


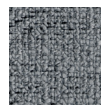
Sola Bi-Sectional



Node
Alabaster



Maberly
Dove

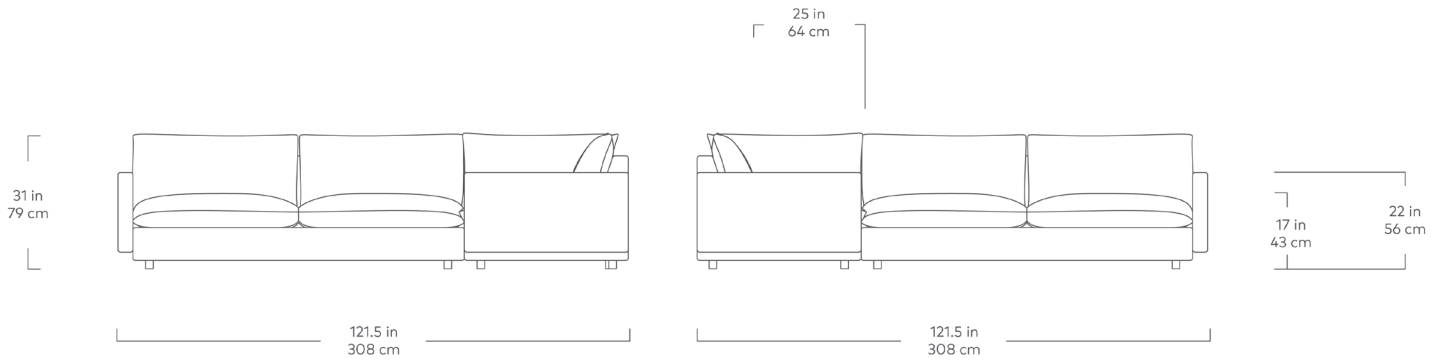


Maberly
Storm

The cloud-like Sola Bi-Sectional is an open invitation to lounge. Embodying the ease of coastal living in a design inspired equally by contemporary Italian design and midcentury classics, Sola is perfect for entertaining or enjoying an afternoon siesta. A plush, expansive seating area, and back cushions filled with our signature, eco-friendly PET fill (made from recycled plastic spun into billowy, synthetic down) means an extra cozy experience. French-seam detailing, stepped arms, and inset legs all subtly contribute to a feeling of weightlessness that will beckon you to sink in after a long day.

Design Trade Professionals: We aim to keep our designs in stock and ready to ship quickly for projects on a tight timeline. Designs may be customized with COM and alternate finishes (minimum quantities may apply). Visit guscontract.com for more information about our Trade & Contract programs.

Sola Bi-Sectional



- Reversible back cushions contain an eco-friendly, synthetic-down fill made from 1039 recycled plastic water bottles.
- Reversible seat cushions are crafted with high resiliency medium density foam covered in a Dacron wrap
- French-seam detailing on all seat and back cushions.
- Kiln-dried, hardwood inner frame with No-Sag, sinuous spring suspension system.
- Each component includes concealed connectors to securely join them to each other while in formation.
- Inset, non-marking feet.
- All joints have been stress tested.
- Manufactured to comply with California Prop Phase 2 standards.
- Manufactured to meet California TB117-2013 fire safety standards without the use of flame retardant additives in the upholstery foam.
- All fabric is California TB117-2013 certified and double rub tested.

