

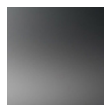
Quarry Coffee Table - Square



SURFACE



Clear
Glass



Smoke
Glass

BASE



Natural
Walnut

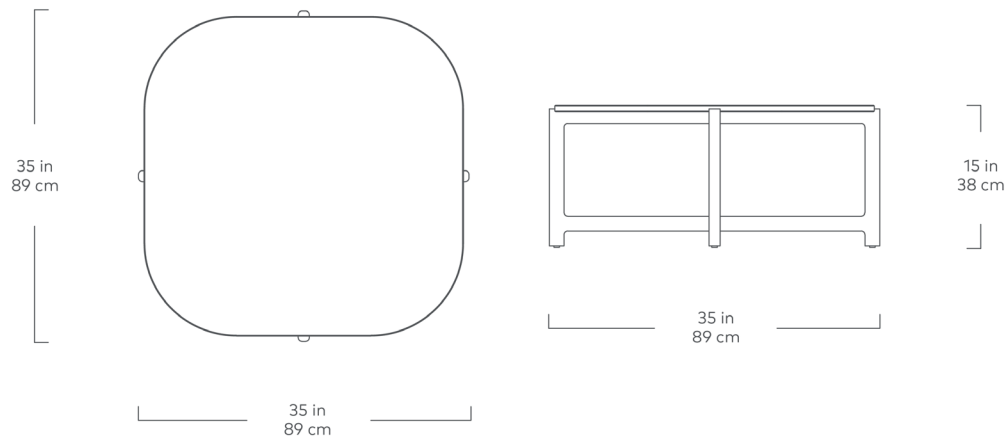


Natural
Ash

The Quarry Square Coffee Table is a minimalist take on casual sophistication. Contrasting materials reveal the striking combination of glass and wood grain. The glass top has rounded corners to soften the look, and the eye-catching, solid-wood cross base reinforces this aesthetic with rounded edges and elegant joinery details. The Quarry Square Coffee Table can be displayed alone, or nested with the Quarry End Table or Rectangular Coffee Table.

Design Trade Professionals: We aim to keep our designs in stock and ready to ship quickly for projects on a tight timeline. Designs may be customized with COM and alternate finishes (minimum quantities may apply). Visit guscontract.com for more information about our Trade & Contract programs.

Quarry Coffee Table - Square



- Rounded corners on tempered glass tops and beveled frame softens the table edges.
- Natural Ash base is kiln-dried FSC®-Certified hardwood (FSC® 092551) in support of responsible forest management.
- Walnut base is solid walnut.
- Cutouts in the top of the base have rubber bumpers to secure the glass.
- Plastic bumpers on bottom of base to prevent damage to hardwood floors.
- Wood is a natural material, with variations in grain pattern and colour that make each design unique.

