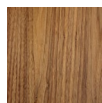
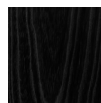


Porter Console Table



Natural
Walnut

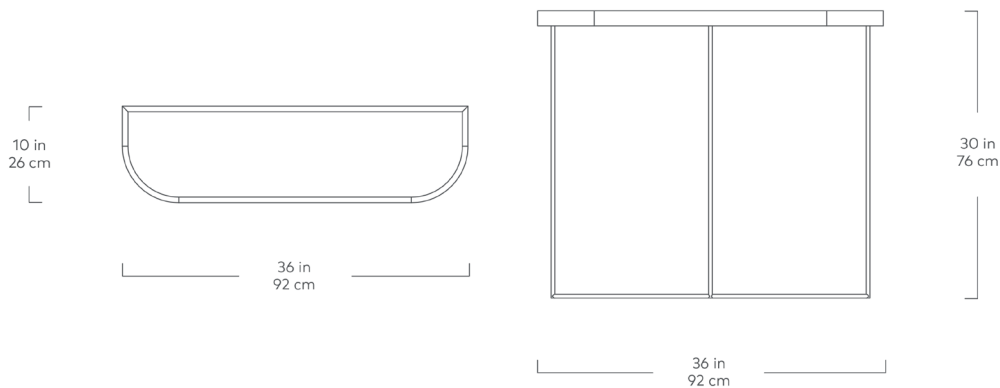


Black
Ash

The Porter Console Table is a minimalist, geometric accent piece well suited for modern spaces. It features a veneered wood top and a raised, solid wood edge detail with rounded corners. The eye-catching base features an architectural powder-coated metal triangle. The table's slender, compact form is perfect for entryways and other smaller spaces where every square foot counts.

Design Trade Professionals: We aim to keep our designs in stock and ready to ship quickly for projects on a tight timeline. Designs may be customized with COM and alternate finishes (minimum quantities may apply). Visit gusmodern.com for more information about our Trade & Contract programs.

Porter Console Table



- Must fasten integrated metal brackets to the wall for safety and stability.
- Raised, solid ash or walnut rounded edge detail.
- Blonde and black colourways have wood edging that is FSC®-Certified in support of responsible forest management (FSC® 092551).
- For strength and stability, table surface is a plywood core with real wood veneer in ash or walnut.
- Water-based, clear coat finish.
- Inset base allows table to sit flush against the wall.
- Matte black, powder-coated, solid tubular steel base.
- Bumpers on the bottom of base to protect hardwood floors.
- The Porter Series is constructed with a combination of solid wood and wood veneer components, each with its own distinct grain pattern and coloring. These variations make each design natural and unique.

