

# Nexus Modular 3PC Sectional



Parliament  
Stone



Parliament  
Coffee

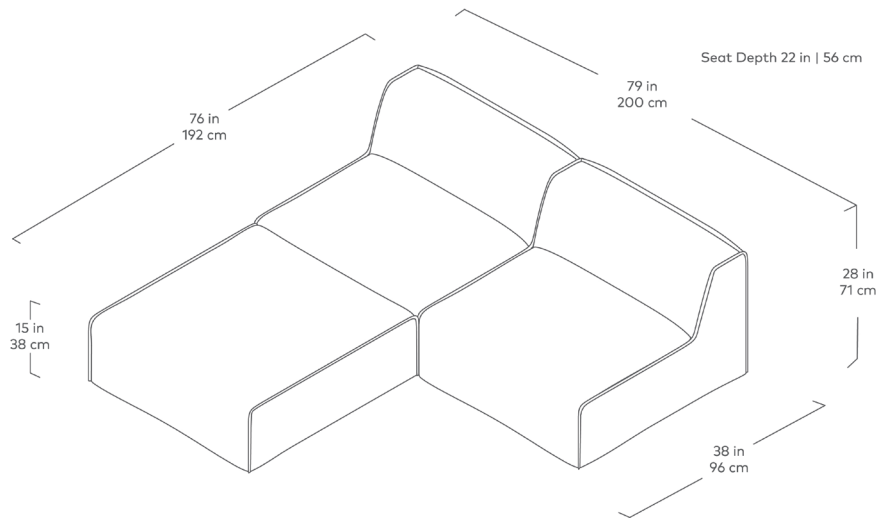


Parliament  
Lake

The Nexus Modular Collection consists of three seating components (Armless Chair, Corner and Ottoman) which can be combined in a myriad of ways to create a sofa or sectional that is custom-designed for your space. With a low-profile silhouette, and chunky, piped-edge details, the Nexus balances clean-lined Minimalism with a relaxed, bohemian vibe. The kiln-dried hardwood frame and block feet are constructed from FSC®-Certified hardwood, in support of responsible forest management. Nexus uses a clean, ultra soft, long-strand fiber fill material that offers the comfort and feel of traditional waterfowl down. This material is created through a process that benefits the environment by diverting 878 plastic bottles away from landfills, waterways and oceans for each Nexus 3PC Sectional we build.

Design Trade Professionals: We aim to keep our designs in stock and ready to ship quickly for projects on a tight timeline. Designs may be customized with COM and alternate finishes (minimum quantities may apply). Visit [gusmodern.com](https://gusmodern.com) for more information about our Trade & Contract programs.

# Nexus Modular 3PC Sectional



- Seat, front panel and inside back of each component is upholstered in a quilted fabric. Side panels and back are unquilted.
- Chunky, piped-edge details add to the relaxed feel.
- Cushions contain an eco-friendly, synthetic-down fill made from 878 recycled plastic water bottles.
- Inner frame is kiln-dried FSC®-Certified hardwood in support of responsible forest management (FSC® 092551).
- Wood block feet are solid FSC®-Certified Ash in support of responsible forest management (FSC® 092551) and finished in a black stain.
- Non-marking leveler feet integrated into block feet to protect hardwood floors and can be adjusted for stability on uneven floor surfaces.
- Each component includes concealed connectors to securely join them to each other while in sectional or sofa configuration.
- No-Sag, sinuous spring system.
- All joints have been stress tested.
- Manufactured to meet California TB117-213 fire safety standards without the use of flame retardant additives in the upholstery foam.
- All fabric is California TB117-2013 certified and double rub tested.

