

GUS*

Furnishing
Solutions for the
Design Trade



Spring 2023 Collection

Who We Are

Gus* CONTRACT works with architects, designers, and developers on projects in the hospitality, corporate, institutional, retail, and residential sectors. Building on the success of our retail furniture collection, we provide in-house design and manufacturing solutions for modern application at any scale.

The team at Gus* CONTRACT offers a unique and flexible array of services. Draw from our in-stock, contract-quality furniture collection if your deadline is tight, or work directly with our designers to develop a completely customized solution. With our own manufacturing facilities in both North America and Asia, we can choose the best production route, depending on your project's scope, timeline and complexity.

How We Work

In-Stock Solutions

The entire Gus* Modern furniture collection is in-stock and ready to ship - ideal for projects where timelines are tight. All Gus* Modern upholstery uses FSC®-Certified wood inside and out, in support of responsible forest management.

COM Solutions

If you like one of our designs but have sourced your own material, we provide COM manufacturing on all Gus* Modern upholstery.

Custom Solutions

From initial sketch, to prototype, to finished product, Gus* CONTRACT can work with you to make upholstery, banquettes, tables, and accents that are tailor-made for your project.





Eco-Friendly Solutions

Gus* Contract is proud to offer several different eco-friendly and LEED-compliant manufacturing options.

Select In-Stock Upholstery Solutions are manufactured with 100% FSC®-Certified kiln-dried hardwood frames. FSC®-Certification ensures that wood comes from well-managed forests which employ methods of responsible harvesting and meet strict environmental standards. Only companies that have an FSC® certification number and that submit to a rigorous and ongoing audition process to ensure compliance with FSC® standards and principles may claim to be FSC®-Certified or claim to use FSC®-Certified wood.

A select number of our In-Stock Upholstery Designs are now made with a revolutionary sustainable synthetic-down fill material made from 100% recycled PET plastic water bottles.

Custom and COM Solutions can be specified with FSC®-Certified hardwood, PET fill, and eco-friendly fabrics, which may apply toward LEED certification points.

For more information about our eco-friendly options, please contact us.



Spring 2023 Collection

Product Specifications

Renfrew Collection	6
Munro Collection	7
Mix Collection	8
Podium Collection	9
Workspace	10
Sectionals	16
Sofas	26
Sofabeds	38
Chairs	39
Ottomans	50
Storage	54
Beds	64
Accents	65
Tables	77
Seating	78
Lighting	85
Rugs	89
Accessories	92
Custom Solutions	94

Gus* Spring 2023 Collection New Designs



Mulholland Sofa



Mulholland Bi-Sectional



Mulholland Chair



Labrador Chair & Ottoman



Munro Bed



Munro Storage Collection



Renfrew Sofa



Odeon Coffee & End Table



Renfrew Sectional



Renfrew Loft Bi-Sectional



Kelso Chair



Terraz Rug



Aero Bench

Soren Sofa & Chair



Halifax Chair



Renfrew

A versatile balance of minimalist style and everyday comfort

Renfrew Left Arm
W68.5 D38 H32.5 | SEAT H16.5 in
W174 D97 H83 | SEAT H42 cm



Renfrew Right Arm
W68.5 D38 H32.5 | SEAT H16.5 in
W174 D97 H83 | SEAT H42 cm



Renfrew Sofa
W86.5 D38 H32.5 | SEAT H16.5 in
W220 D97 H83 | SEAT H42 cm



Renfrew Loft Bi-Sectional
W86.5 D69 H32.5 | SEAT H16.5 in
W220 D176 H83 | SEAT H42 cm



Renfrew Sectional
W106.5 D68.5 H32.5 | SEAT H16.5 in
W271 D174 H83 | SEAT H42 cm



Renfrew Ottoman
W38 D31 H16.5 | SEAT H16.5 in
W97 D79 H42 | SEAT H42 cm



All of our In-Stock Solutions can be customized to suit the size and finish requirements of your project. Minimum quantities may apply to custom orders. Please visit gusdesigngroup.com to preview all current In-Stock finish options or to request physical swatch samples. Contact us for more information about In-Stock and COM Solutions.

Rise & Shine

Explore our new Munro Bedroom Collection

Munro 4 Drawer Dresser
W44 D38 H28.5 | SEAT H16.5 in
W112 D97 H72 | SEAT H42 cm



Munro End Table
W44 D38 H28.5 | SEAT H16.5 in
W112 D97 H72 | SEAT H42 cm



Munro Vitrine
W44 D38 H28.5 | SEAT H16.5 in
W112 D97 H72 | SEAT H42 cm



Munro 6 Drawer Dresser
W44 D38 H28.5 | SEAT H16.5 in
W112 D97 H72 | SEAT H42 cm



Munro Bed
W44 D38 H28.5 | SEAT H16.5 in
W112 D97 H72 | SEAT H42 cm



All of our In-Stock Solutions can be customized to suit the size and finish requirements of your project. Minimum quantities may apply to custom orders. Please visit gusdesigngroup.com to preview all current In-Stock finish options or to request physical swatch samples. Contact us for more information about In-Stock and COM Solutions.

ReMix

We updated our Mix Modular Upholstery Collection with new fabrics and an industrial storage component

Mix Modular Left Arm
W44 D38 H28.5 | SEAT H16.5 in
W112 D97 H72 | SEAT H42 cm



Mix Modular Right Arm
W44 D38 H28.5 | SEAT H16.5 in
W112 D97 H72 | SEAT H42 cm



Mix Modular Armless
W38 D38 H28.5 | SEAT H16.5 in
W97 D97 H72 | SEAT H42 cm



Mix Modular Corner
W38 D38 H28.5 | SEAT H16.5 in
W97 D97 H72 | SEAT H42 cm



Mix Modular Ottoman
W38 D38 H16.5 | SEAT H16.5 in
W97 D97 H42 | SEAT H42 cm



Mix Modular Block Table
W37 D14 H15
W94 D36 H38



Mix Modular Prism Table
W37 D14 H15 | STORAGE DEPTH 15.5 in
W94 D36 H38 | STORAGE DEPTH 40 cm



All of our In-Stock Solutions can be customized to suit the size and finish requirements of your project. Minimum quantities may apply to custom orders. Please visit gusdesigngroup.com to preview all current In-Stock finish options or to request physical swatch samples. Contact us for more information about In-Stock and COM Solutions.

PODIUM

The Podium Collection features 7 modular components that can be arranged (and rearranged) in unlimited ways to bring stylish comfort to your space.

Podium Left Lounge
W54 D38 H31 | SEAT H16 in
W137 D97 H79 | SEAT H41 cm



Podium Right Lounge
W54 D38 H31 | SEAT H16 in
W137 D97 H79 | SEAT H41 cm



Podium Left Arm
W36 D38 H31 | SEAT H16 in
W92 D97 H79 | SEAT H41 cm



Podium Right Arm
W36 D38 H31 | SEAT H16 in
W92 D97 H79 | SEAT H41 cm



Podium Armless
W30 D38 H31 | SEAT H16 in
W76 D97 H79 | SEAT H41 cm



Podium Corner
W38 D38 H31 | SEAT H16 in
W97 D97 H79 | SEAT H41 cm



Podium Ottoman
W30 D38 | SEAT H16 in
W76 D97 | SEAT H41 cm



All of our In-Stock Solutions can be customized to suit the size and finish requirements of your project. Minimum quantities may apply to custom orders. Please visit gusdesigngroup.com to preview all current In-Stock finish options or to request physical swatch samples. Contact us for more information about In-Stock and COM Solutions.

Workspace

CATEGORY
IN-STOCK & COM

Envoy 50 Desk w/ Dowel Legs



BLONDE ASH
/ WHITE



BLACK ASH
/ BLACK



BLONDE ASH
/ WHITE
/ BLACK ASH
/ BLACK



BLACK ASH
/ BLACK
/ WHITE ASH
/ WHITE



Envoy 50 Desk w/ Lecture Legs



BLONDE ASH
/ WHITE / WHITE



BLACK ASH
/ BLACK / BLACK



BLONDE ASH
/ WHITE / BLACK



BLACK ASH
/ BLACK / WHITE



Envoy 70 Desk w/ Dowel Legs



BLONDE ASH
/ WHITE



BLACK ASH
/ BLACK



BLONDE ASH
/ WHITE
/ BLACK ASH
/ BLACK



BLACK ASH
/ BLACK
/ WHITE ASH
/ WHITE



All of our In-Stock Solutions can be customized to suit the size and finish requirements of your project. Minimum quantities may apply to custom orders. Please visit gusdesigngroup.com to preview all current In-Stock finish options or to request physical swatch samples. Contact us for more information about In-Stock and COM Solutions.

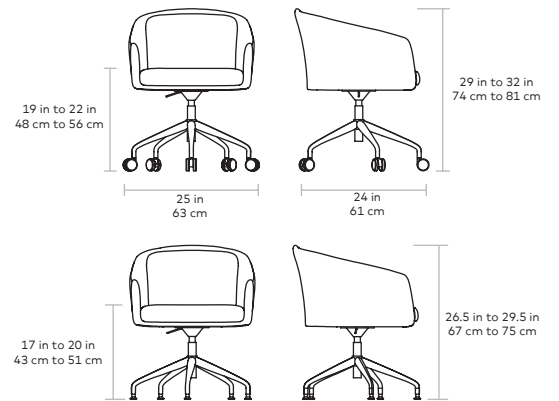
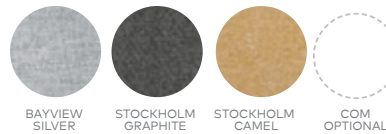
Workspace

CATEGORY
IN-STOCK & COM

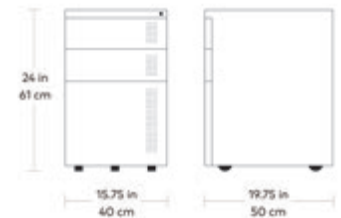
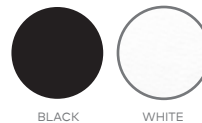
Envoy 70 Desk w/ Lecture Legs



Radius Task Chair



Perf File Cabinet



All of our In-Stock Solutions can be customized to suit the size and finish requirements of your project. Minimum quantities may apply to custom orders. Please visit gusdesigngroup.com to preview all current In-Stock finish options or to request physical swatch samples. Contact us for more information about In-Stock and COM Solutions.

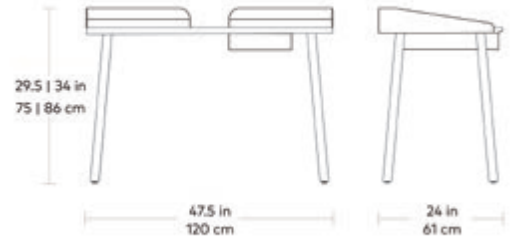
Workspace

CATEGORY
IN-STOCK & COM

Gander Desk



WALNUT/WHITE



Junction Desk



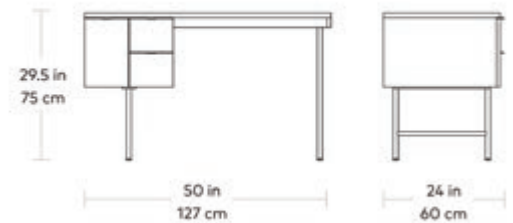
WALNUT/WHITE



Conrad Desk



WALNUT

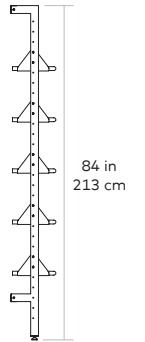
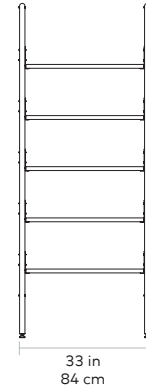
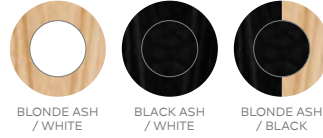


All of our In-Stock Solutions can be customized to suit the size and finish requirements of your project. Minimum quantities may apply to custom orders. Please visit gusdesigngroup.com to preview all current In-Stock finish options or to request physical swatch samples. Contact us for more information about In-Stock and COM Solutions.

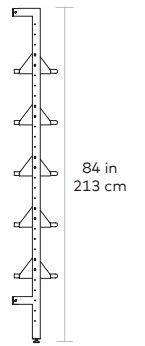
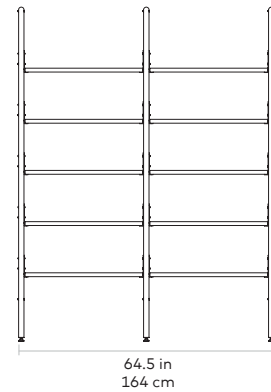
Workspace

CATEGORY
IN-STOCK & COM

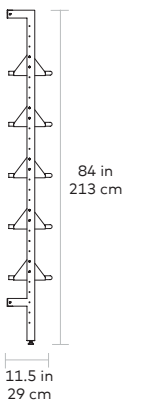
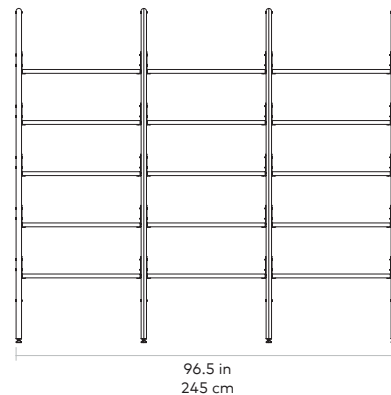
Branch-1 Shelving Unit



Branch-2 Shelving Unit

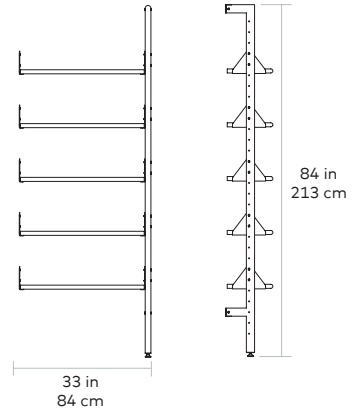
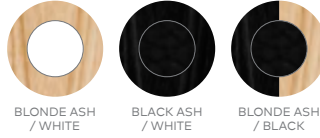


Branch-3 Shelving Unit

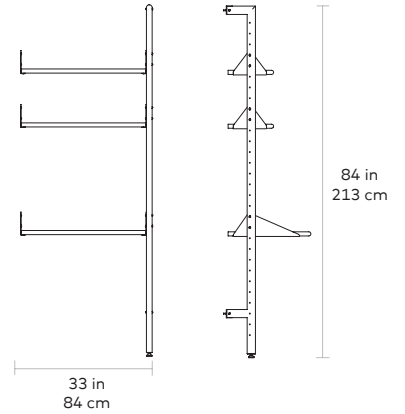
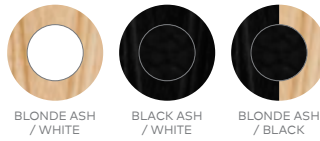


All of our In-Stock Solutions can be customized to suit the size and finish requirements of your project. Minimum quantities may apply to custom orders. Please visit gusdesigngroup.com to preview all current In-Stock finish options or to request physical swatch samples. Contact us for more information about In-Stock and COM Solutions.

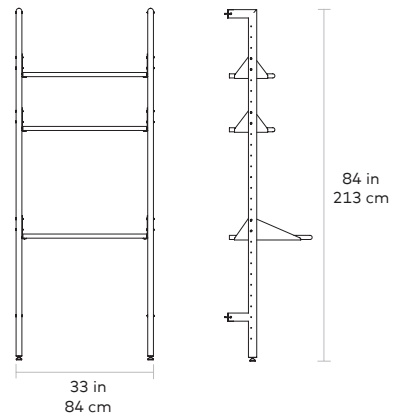
Branch Shelving Unit Add-On



Branch Desk Unit Add-On

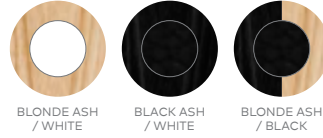


Branch-1 Shelving Unit with Desk



All of our In-Stock Solutions can be customized to suit the size and finish requirements of your project. Minimum quantities may apply to custom orders. Please visit gusdesigngroup.com to preview all current In-Stock finish options or to request physical swatch samples. Contact us for more information about In-Stock and COM Solutions.

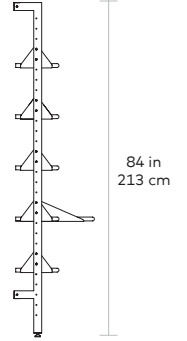
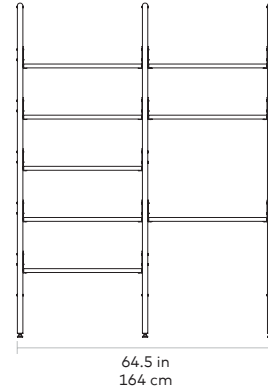
Branch-2 Shelving Unit with Desk



BLONDE ASH / WHITE

BLACK ASH / WHITE

BLONDE ASH / BLACK



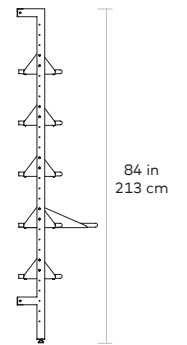
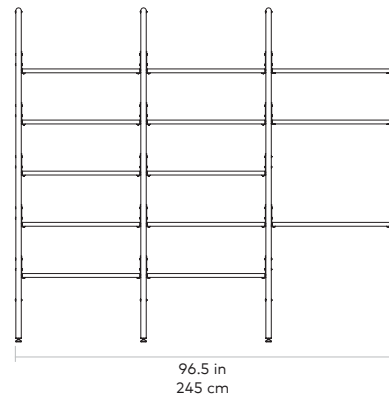
Branch-3 Shelving Unit with Desk



BLONDE ASH / WHITE

BLACK ASH / WHITE

BLONDE ASH / BLACK

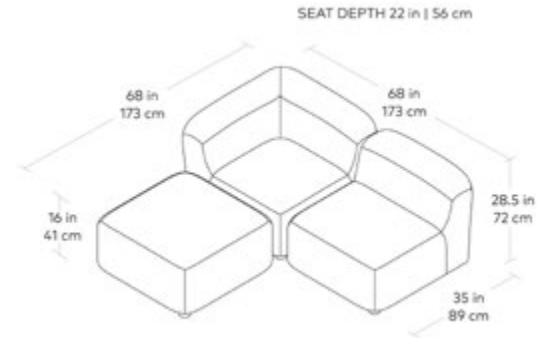


All of our In-Stock Solutions can be customized to suit the size and finish requirements of your project. Minimum quantities may apply to custom orders. Please visit gusdesigngroup.com to preview all current In-Stock finish options or to request physical swatch samples. Contact us for more information about In-Stock and COM Solutions.

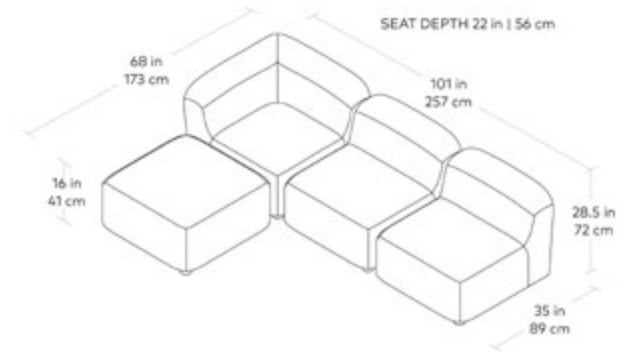
Sectionals

CATEGORY
IN-STOCK & COM

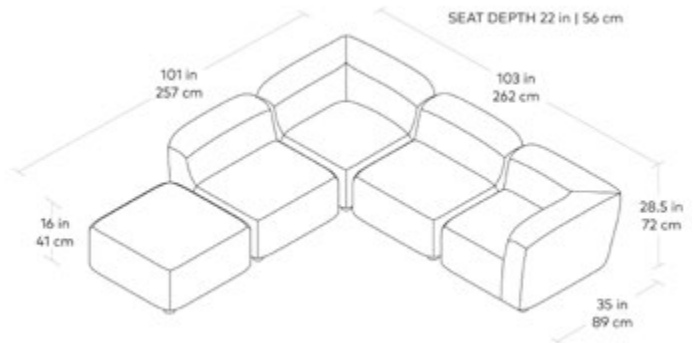
Circuit Modular 3-pc Sectional



Circuit Modular 4-pc Sectional



Circuit Modular 5-pc Sectional

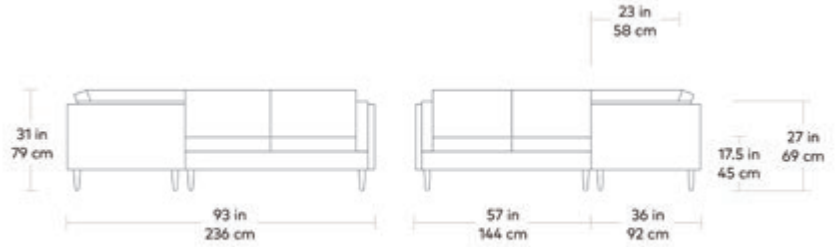


All of our In-Stock Solutions can be customized to suit the size and finish requirements of your project. Minimum quantities may apply to custom orders. Please visit gusdesigngroup.com to preview all current In-Stock finish options or to request physical swatch samples. Contact us for more information about In-Stock and COM Solutions.

Sectionals

CATEGORY
IN-STOCK & COM

Adelaide Bi-Sectional



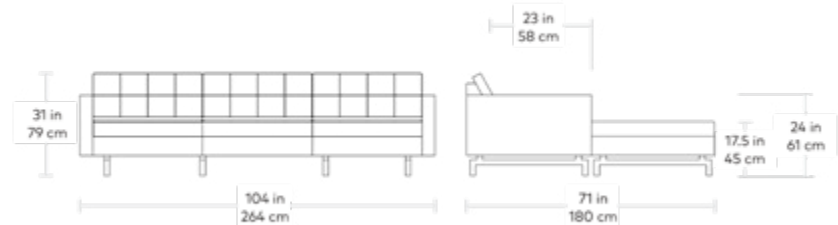
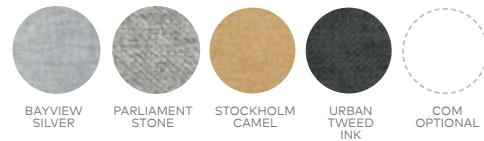
Foundry Bi-Sectional



Leather not available in Canada



Jane 2 Bi-Sectional (Walnut Base)

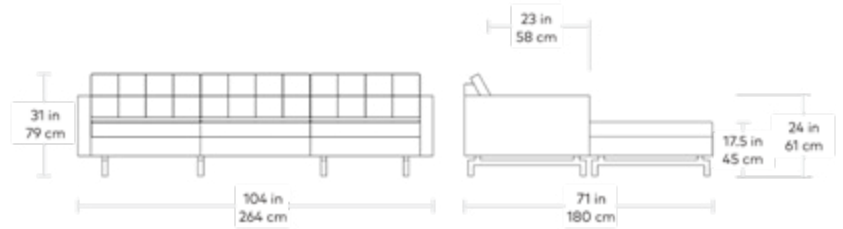
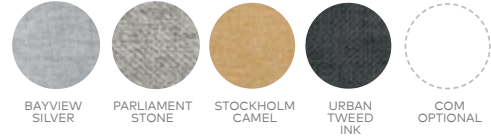


All of our In-Stock Solutions can be customized to suit the size and finish requirements of your project. Minimum quantities may apply to custom orders. Please visit gusdesigngroup.com to preview all current In-Stock finish options or to request physical swatch samples. Contact us for more information about In-Stock and COM Solutions.

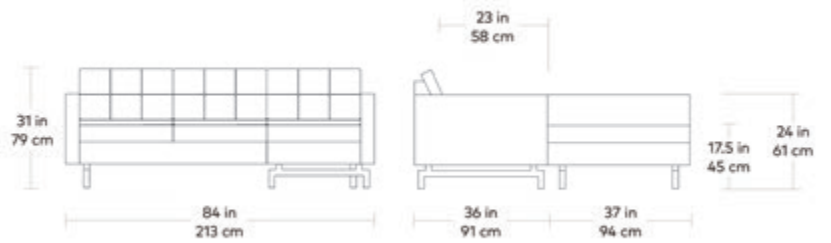
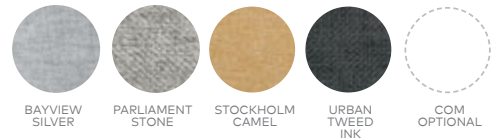
Sectionals

CATEGORY
IN-STOCK & COM

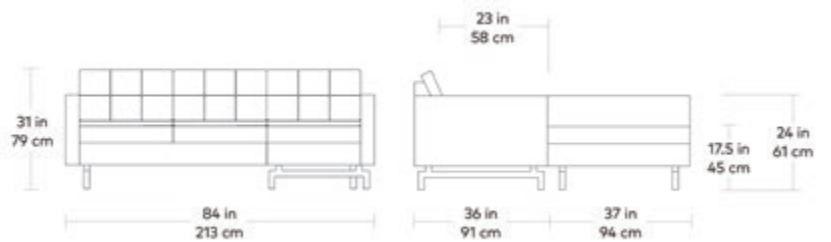
Jane 2 Bi-Sectional (Ash Base)



Jane 2 LOFT Bi-Sectional (Walnut Base)



Jane 2 LOFT Bi-Sectional (Ash Base)

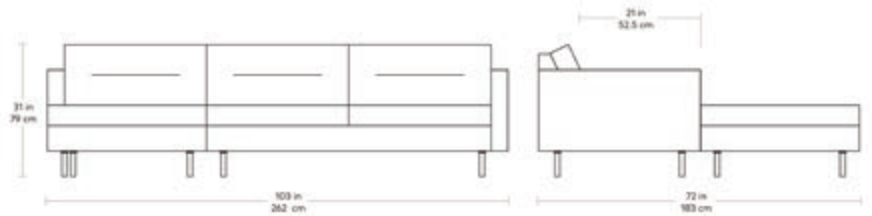


All of our In-Stock Solutions can be customized to suit the size and finish requirements of your project. Minimum quantities may apply to custom orders. Please visit gusdesigngroup.com to preview all current In-Stock finish options or to request physical swatch samples. Contact us for more information about In-Stock and COM Solutions.

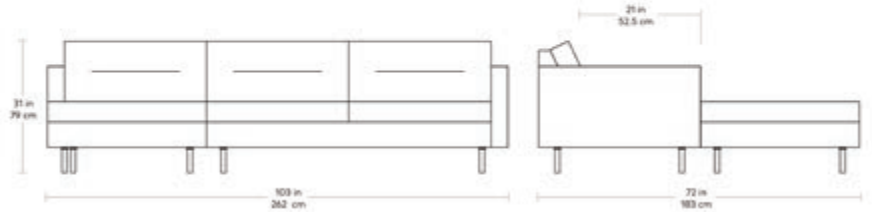
Sectionals

CATEGORY
IN-STOCK & COM

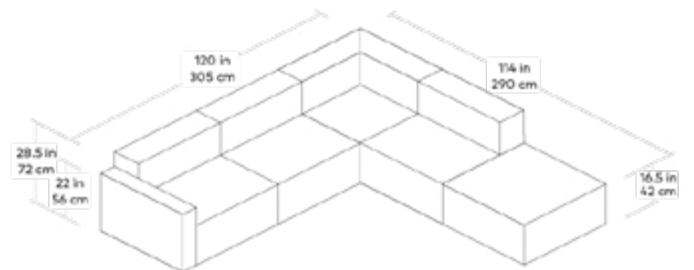
Logan Bi-Sectional (Steel Base)



Logan Bi-Sectional (Wood Base)



Mix Modular Sectional (5 Piece)

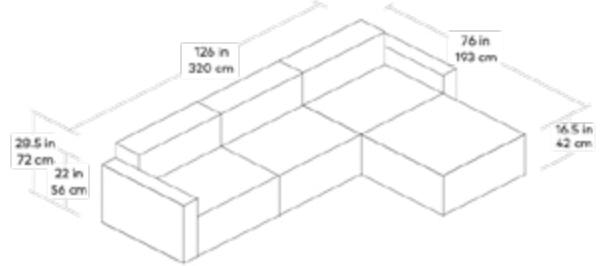


All of our In-Stock Solutions can be customized to suit the size and finish requirements of your project. Minimum quantities may apply to custom orders. Please visit gusdesigngroup.com to preview all current In-Stock finish options or to request physical swatch samples. Contact us for more information about In-Stock and COM Solutions.

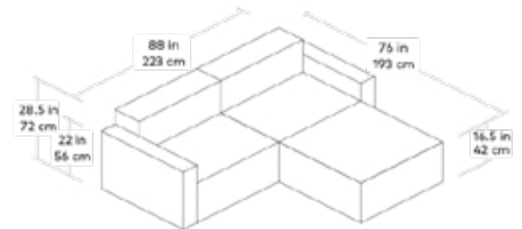
Sectionals

CATEGORY
IN-STOCK & COM

Mix Modular Sectional (4 Piece)



Mix Modular Sectional (3 Piece)



Mulholland Bi-Sectional

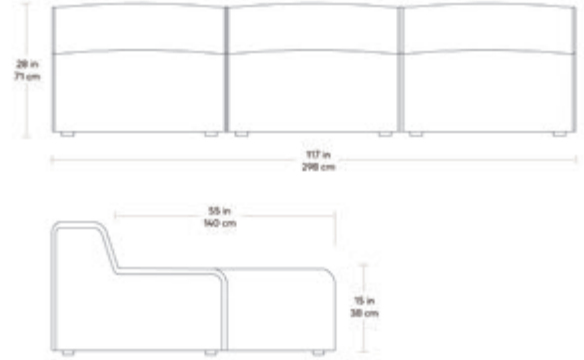
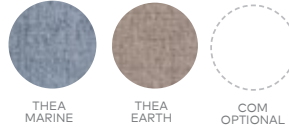


All of our In-Stock Solutions can be customized to suit the size and finish requirements of your project. Minimum quantities may apply to custom orders. Please visit gusdesigngroup.com to preview all current In-Stock finish options or to request physical swatch samples. Contact us for more information about In-Stock and COM Solutions.

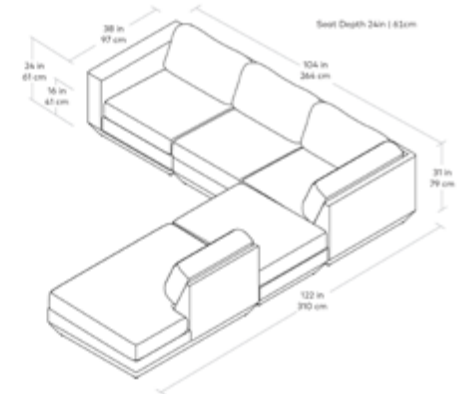
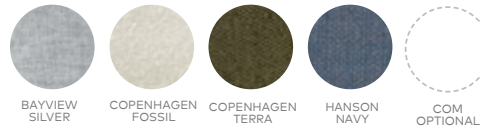
Sectionals

CATEGORY
IN-STOCK & COM

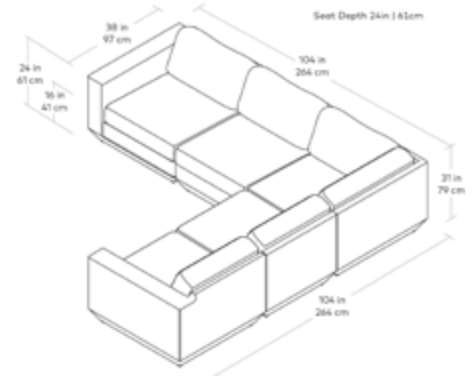
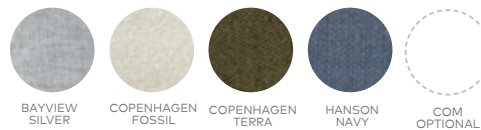
Nexus Modular Sectional (3 Piece)



Podium Modular 5PC Seating Group A (Right or Left Facing)



Podium Modular 5PC Corner Sectional (Right or Left Facing)

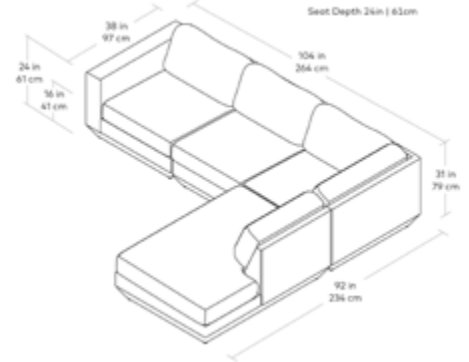
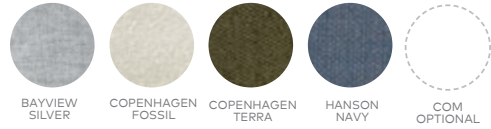


All of our In-Stock Solutions can be customized to suit the size and finish requirements of your project. Minimum quantities may apply to custom orders. Please visit gusdesigngroup.com to preview all current In-Stock finish options or to request physical swatch samples. Contact us for more information about In-Stock and COM Solutions.

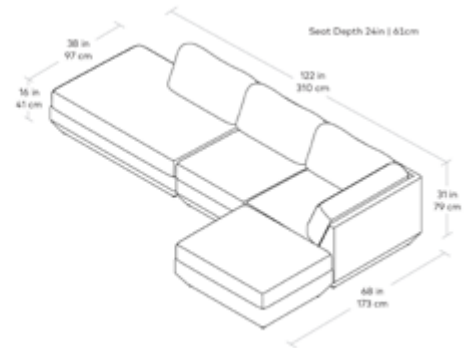
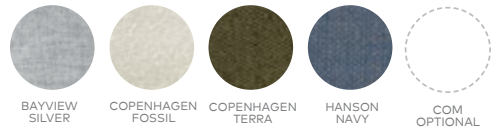
Sectionals

CATEGORY
IN-STOCK & COM

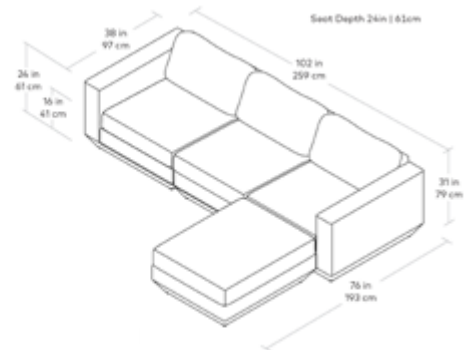
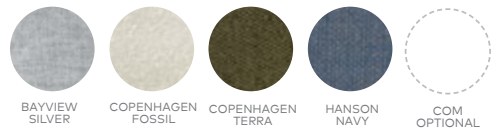
**Podium Modular 4PC Lounge Sectional A
(Right or Left Facing)**



**Podium Modular 4PC Lounge Sectional B
(Right or Left Facing)**



**Podium Modular 4PC Sectional
(Right or Left Facing)**

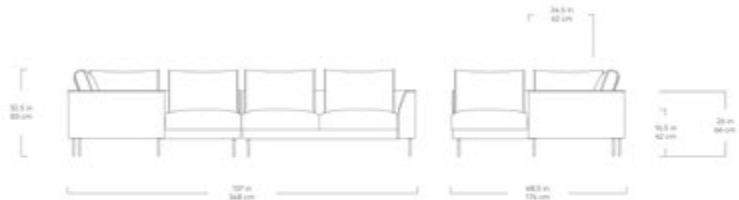


All of our In-Stock Solutions can be customized to suit the size and finish requirements of your project. Minimum quantities may apply to custom orders. Please visit gusdesigngroup.com to preview all current In-Stock finish options or to request physical swatch samples. Contact us for more information about In-Stock and COM Solutions.

Sectionals

CATEGORY
IN-STOCK & COM

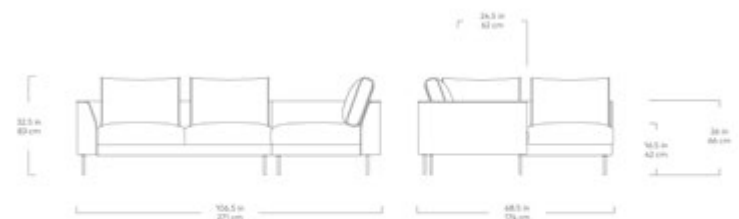
Renfrew XL Sectional (Right or Left Facing)



Renfrew U Shaped Sectional



Renfrew Sectional (Right or Left Facing)

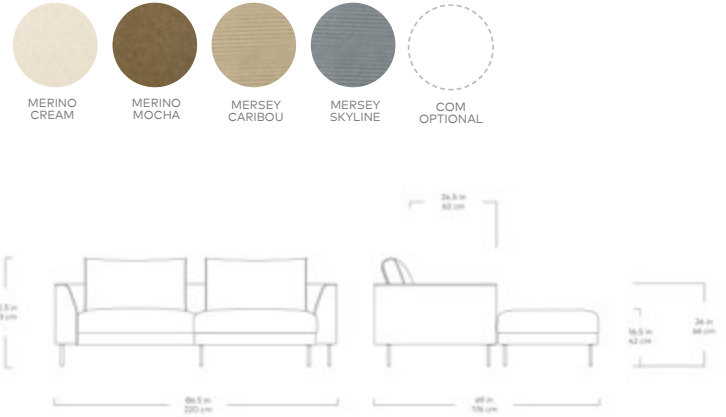


All of our In-Stock Solutions can be customized to suit the size and finish requirements of your project. Minimum quantities may apply to custom orders. Please visit gusdesigngroup.com to preview all current In-Stock finish options or to request physical swatch samples. Contact us for more information about In-Stock and COM Solutions.

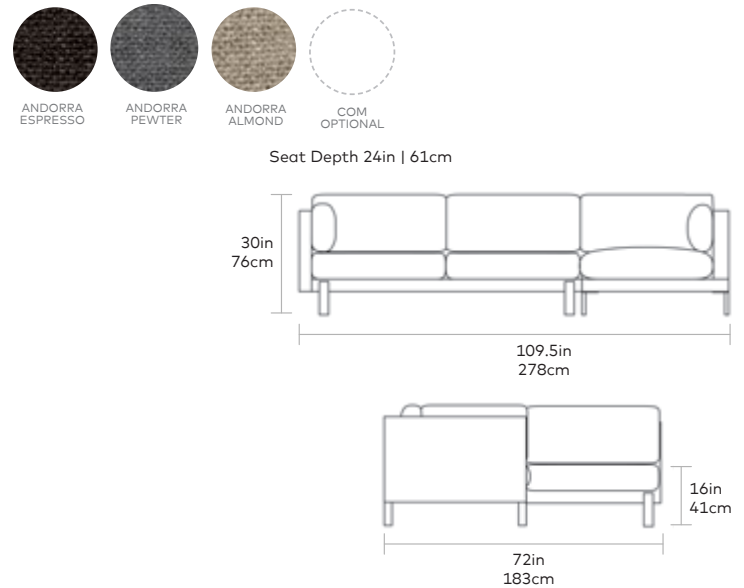
Sectionals

CATEGORY
IN-STOCK & COM

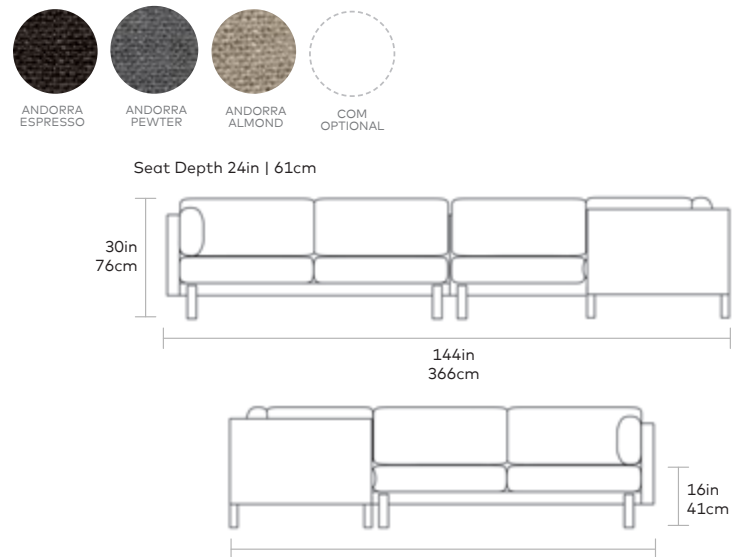
Renfrew Loft Bi-Sectional



Silverlake Sectional (Right or Left Facing)



Silverlake XL Sectional (Right or Left Facing)



All of our In-Stock Solutions can be customized to suit the size and finish requirements of your project. Minimum quantities may apply to custom orders. Please visit gusdesigngroup.com to preview all current In-Stock finish options or to request physical swatch samples. Contact us for more information about In-Stock and COM Solutions.

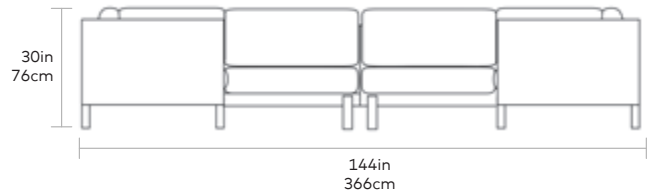
Sectionals

CATEGORY
IN-STOCK & COM

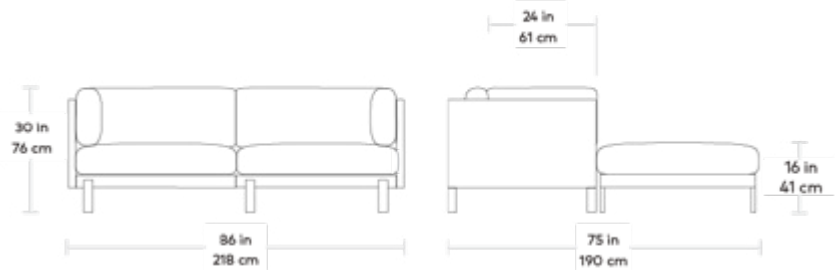
Silverlake U Shaped Sectional



Seat Depth 24in | 61cm



Silverlake Loft Bi-Sectional



Towne Bi-Sectional



Leather not available in Canada

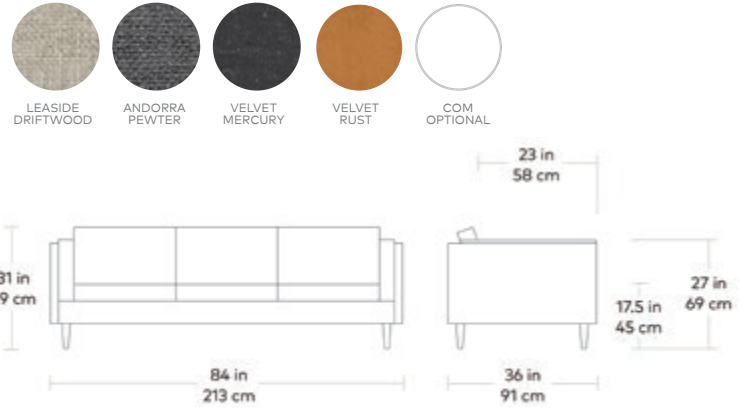


All of our In-Stock Solutions can be customized to suit the size and finish requirements of your project. Minimum quantities may apply to custom orders. Please visit gusdesigngroup.com to preview all current In-Stock finish options or to request physical swatch samples. Contact us for more information about In-Stock and COM Solutions.

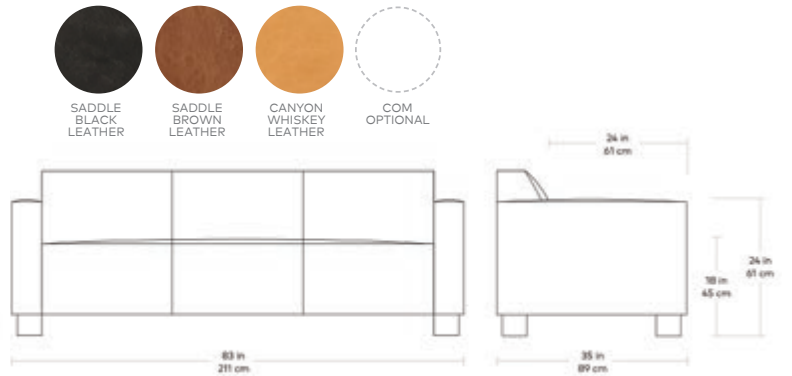
Sofas

CATEGORY
IN-STOCK & COM

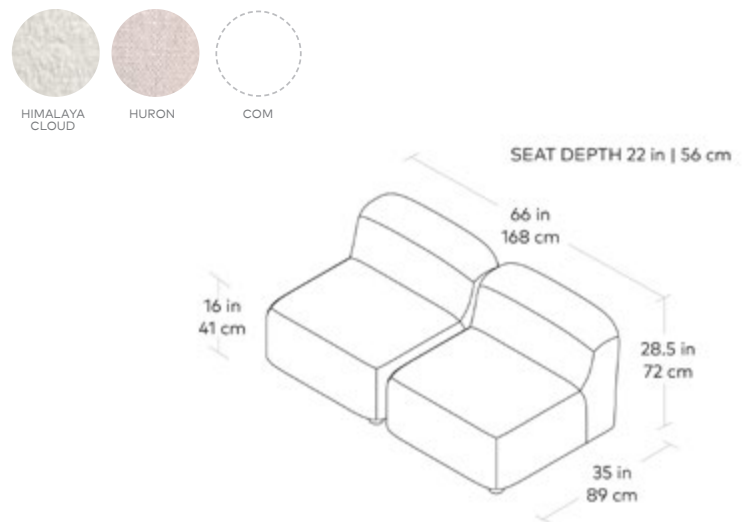
Adelaide Sofa



Cabot Sofa



Circuit 2-pc Armless Sofa

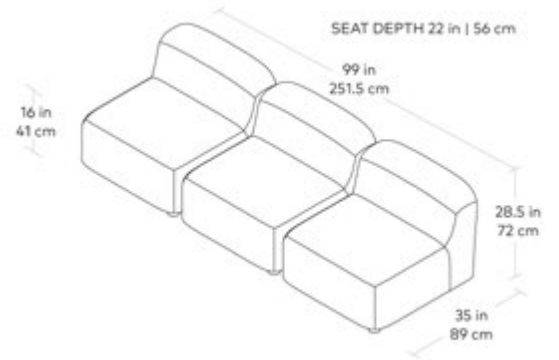


All of our In-Stock Solutions can be customized to suit the size and finish requirements of your project. Minimum quantities may apply to custom orders. Please visit gusdesigngroup.com to preview all current In-Stock finish options or to request physical swatch samples. Contact us for more information about In-Stock and COM Solutions.

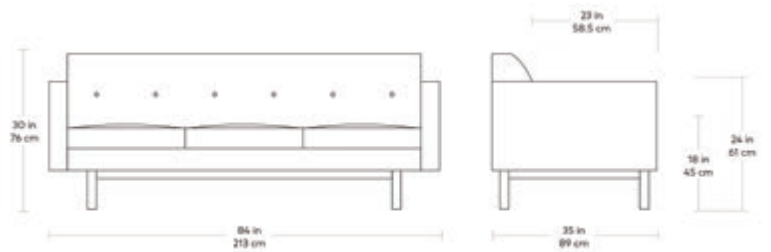
Sofas

CATEGORY
IN-STOCK & COM

Circuit 3-pc Armless Sofa



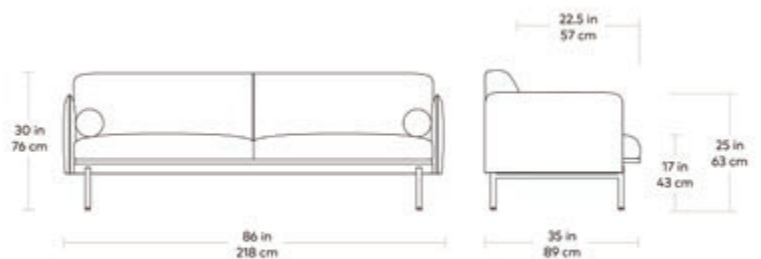
Embassy Sofa



Foundry Sofa



Leather not available in Canada

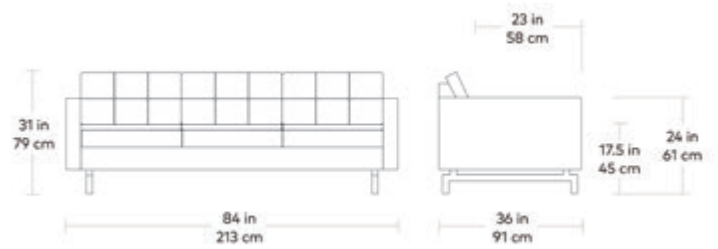
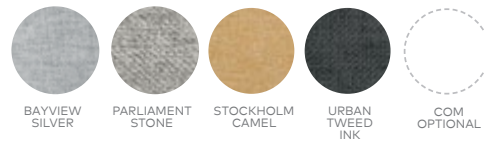


All of our In-Stock Solutions can be customized to suit the size and finish requirements of your project. Minimum quantities may apply to custom orders. Please visit gusdesigngroup.com to preview all current In-Stock finish options or to request physical swatch samples. Contact us for more information about In-Stock and COM Solutions.

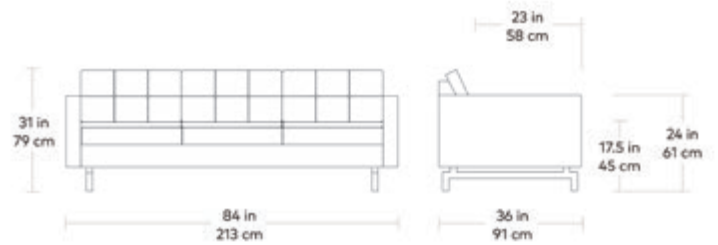
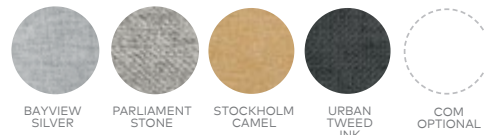
Sofas

CATEGORY
IN-STOCK & COM

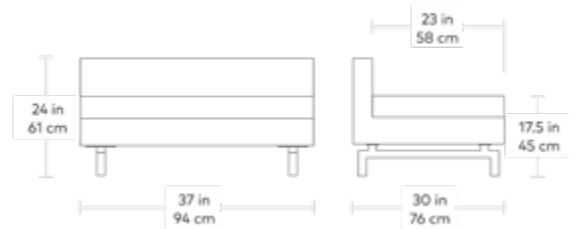
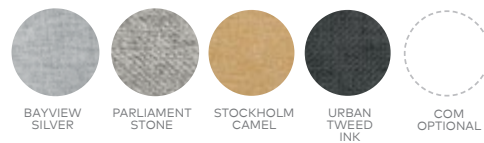
Jane 2 Sofa (Walnut Base)



Jane 2 Sofa (Ash Base)



Jane 2 Lounge (Walnut Base)

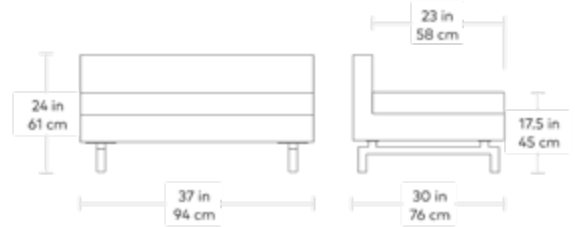
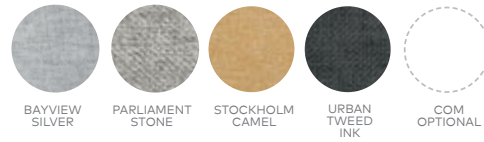


All of our In-Stock Solutions can be customized to suit the size and finish requirements of your project. Minimum quantities may apply to custom orders. Please visit gusdesigngroup.com to preview all current In-Stock finish options or to request physical swatch samples. Contact us for more information about In-Stock and COM Solutions.

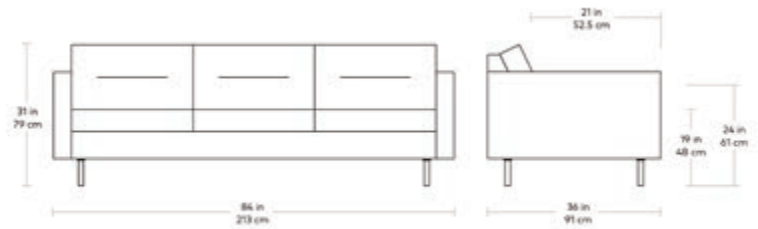
Sofas

CATEGORY
IN-STOCK & COM

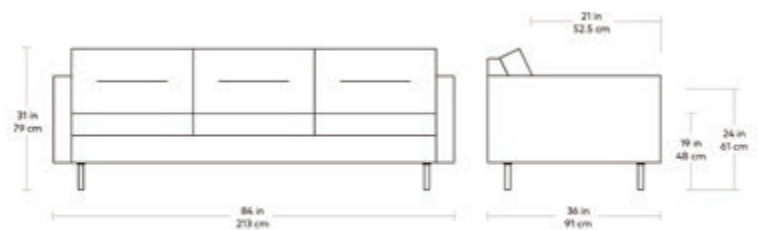
Jane 2 Lounge (Natural Ash Base)



Logan Sofa (Steel Base)



Logan Sofa (Wood Base)

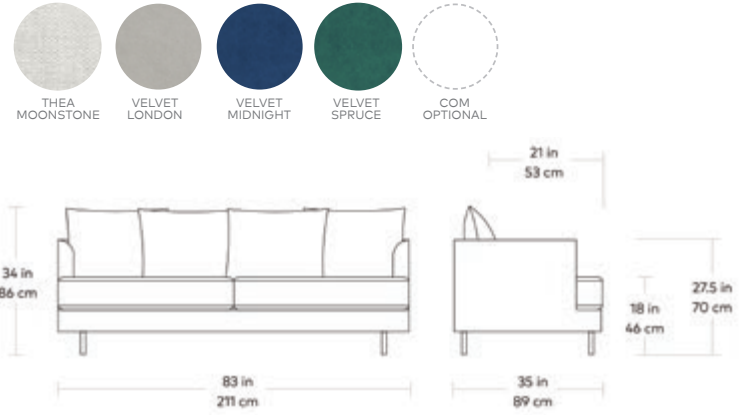


All of our In-Stock Solutions can be customized to suit the size and finish requirements of your project. Minimum quantities may apply to custom orders. Please visit gusdesigngroup.com to preview all current In-Stock finish options or to request physical swatch samples. Contact us for more information about In-Stock and COM Solutions.

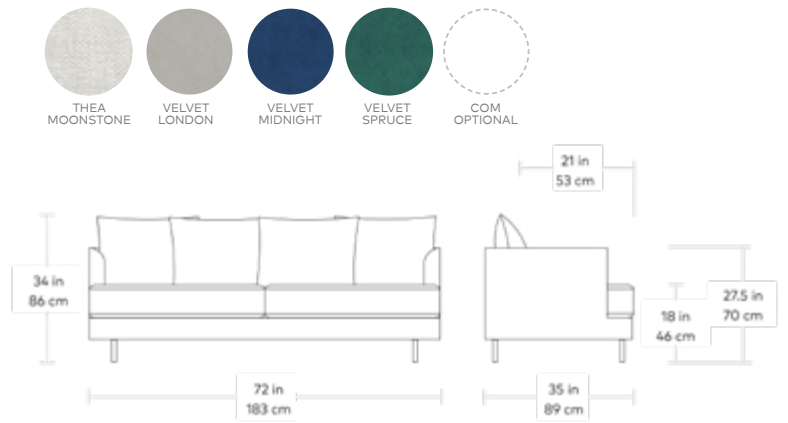
Sofas

CATEGORY
IN-STOCK & COM

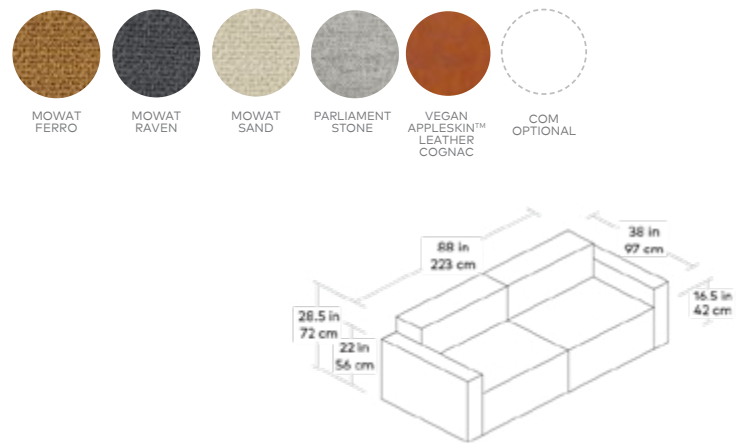
Margot Sofa



Margot Loft Sofa



Mix Modular Sofa (2 Piece)

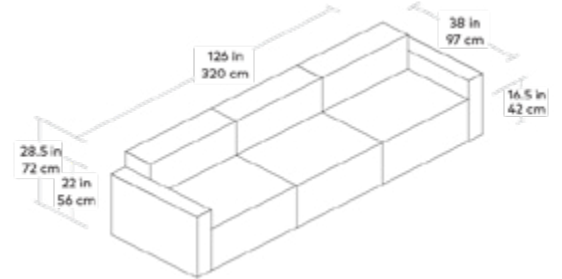


All of our In-Stock Solutions can be customized to suit the size and finish requirements of your project. Minimum quantities may apply to custom orders. Please visit gusdesigngroup.com to preview all current In-Stock finish options or to request physical swatch samples. Contact us for more information about In-Stock and COM Solutions.

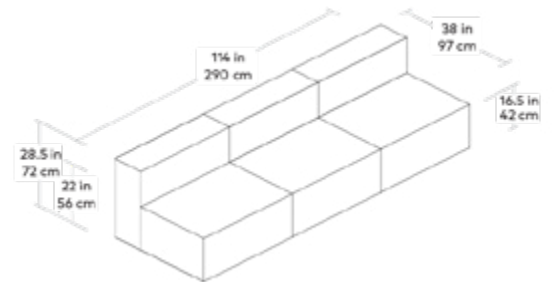
Sofas

CATEGORY
IN-STOCK & COM

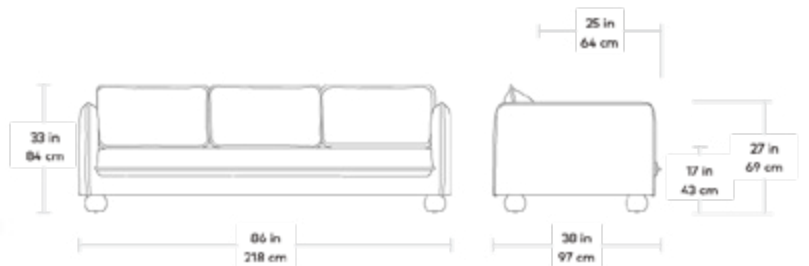
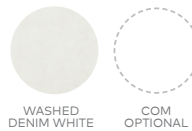
Mix Modular Sofa (3 Piece)



Mix Modular Armless Sofa (3 Piece)



Monterey Slipcover Sofa

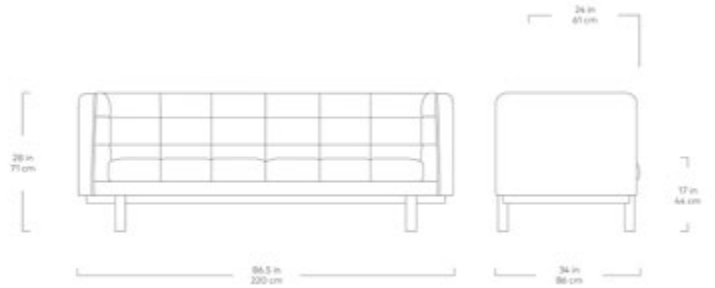


All of our In-Stock Solutions can be customized to suit the size and finish requirements of your project. Minimum quantities may apply to custom orders. Please visit gusdesigngroup.com to preview all current In-Stock finish options or to request physical swatch samples. Contact us for more information about In-Stock and COM Solutions.

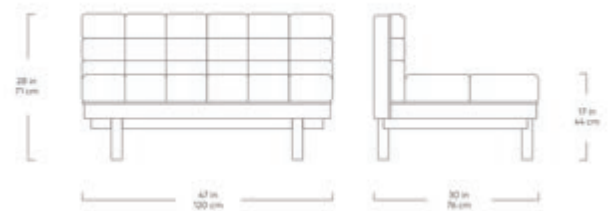
Sofas

CATEGORY
IN-STOCK & COM

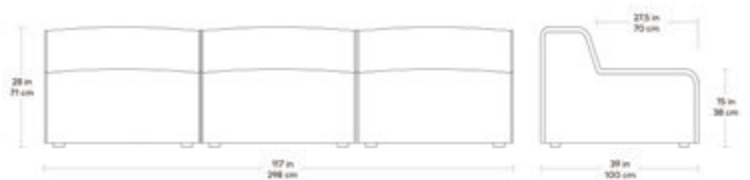
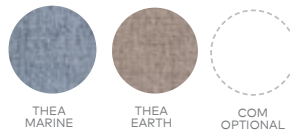
Mulholland Sofa



Mulholland Lounge



Nexus Modular Sofa (3 Piece)

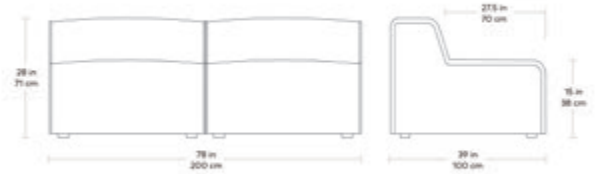


All of our In-Stock Solutions can be customized to suit the size and finish requirements of your project. Minimum quantities may apply to custom orders. Please visit gusdesigngroup.com to preview all current In-Stock finish options or to request physical swatch samples. Contact us for more information about In-Stock and COM Solutions.

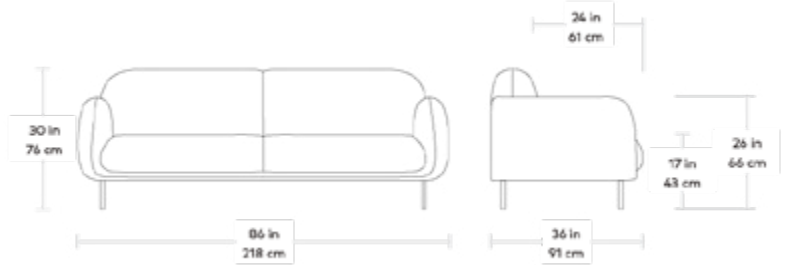
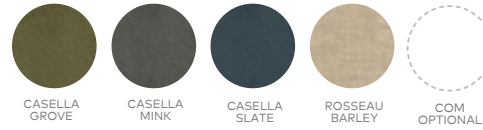
Sofas

CATEGORY
IN-STOCK & COM

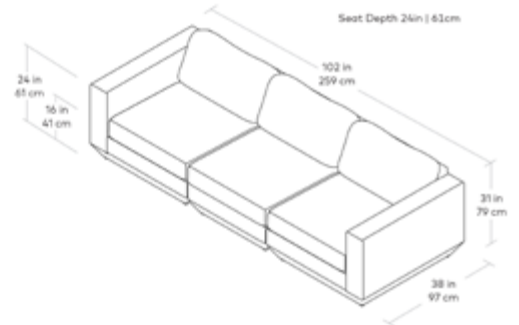
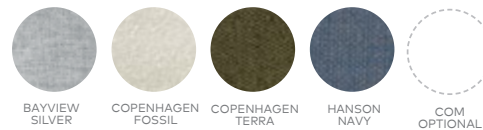
Nexus Modular Sofa (2 Piece)



Nord Sofa



Podium Modular 3PC Sofa

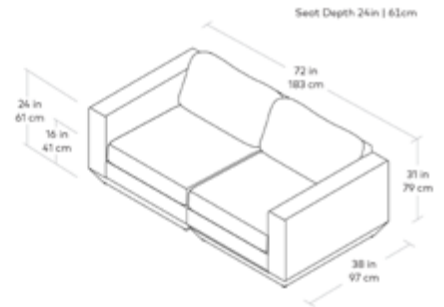
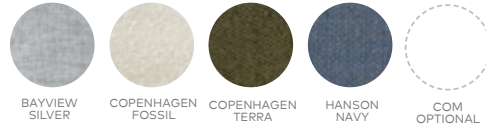


All of our In-Stock Solutions can be customized to suit the size and finish requirements of your project. Minimum quantities may apply to custom orders. Please visit gusdesigngroup.com to preview all current In-Stock finish options or to request physical swatch samples. Contact us for more information about In-Stock and COM Solutions.

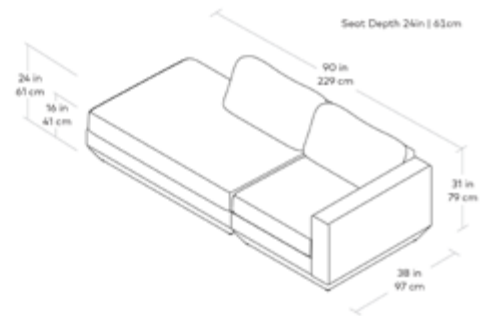
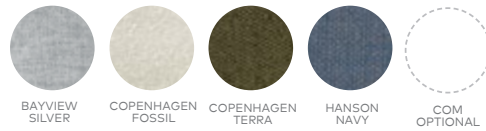
Sofas

CATEGORY
IN-STOCK & COM

Podium Modular 2PC Sofa



Podium Modular 2PC Lounge Sofa (Right or Left Facing)



Renfrew Sofa

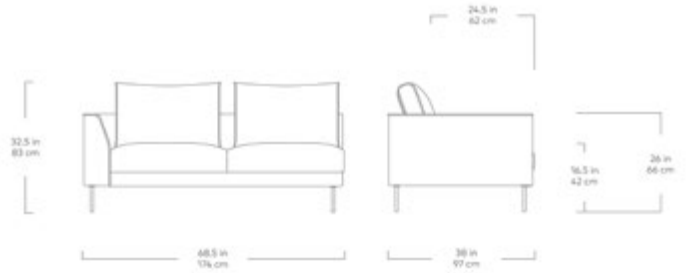


All of our In-Stock Solutions can be customized to suit the size and finish requirements of your project. Minimum quantities may apply to custom orders. Please visit gusdesigngroup.com to preview all current In-Stock finish options or to request physical swatch samples. Contact us for more information about In-Stock and COM Solutions.

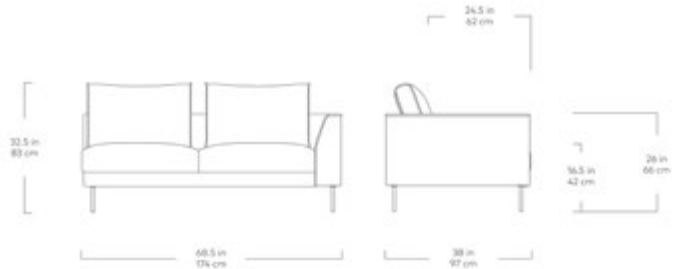
Sofas

CATEGORY
IN-STOCK & COM

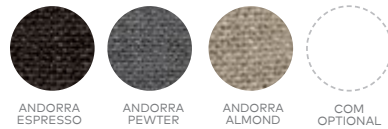
Renfrew Left Arm



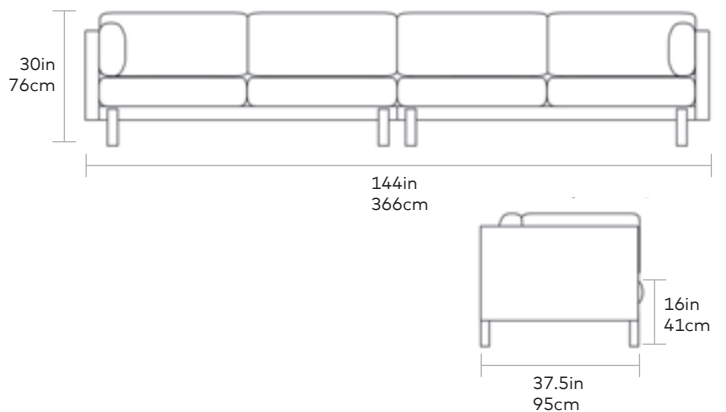
Renfrew Right Arm



Silverlake XL Sofa



Seat Depth 24in | 61cm



All of our In-Stock Solutions can be customized to suit the size and finish requirements of your project. Minimum quantities may apply to custom orders. Please visit gusdesigngroup.com to preview all current In-Stock finish options or to request physical swatch samples. Contact us for more information about In-Stock and COM Solutions.

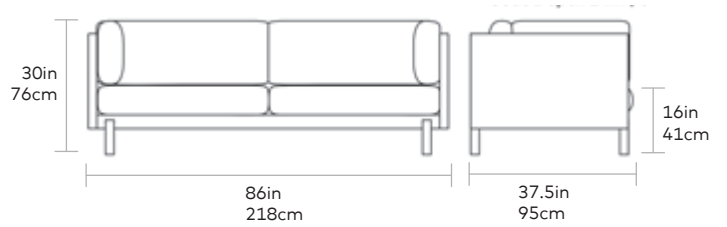
Sofas

CATEGORY
IN-STOCK & COM

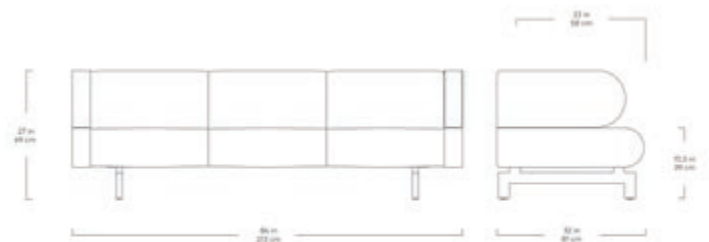
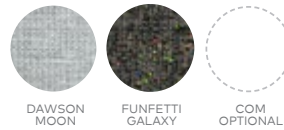
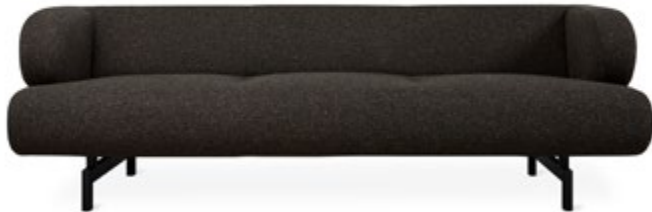
Silverlake Sofa



Seat Depth 24in | 61cm



Soren Sofa



Towne Sofa



Leather not available in Canada



All of our In-Stock Solutions can be customized to suit the size and finish requirements of your project. Minimum quantities may apply to custom orders. Please visit gusdesigngroup.com to preview all current In-Stock finish options or to request physical swatch samples. Contact us for more information about In-Stock and COM Solutions.

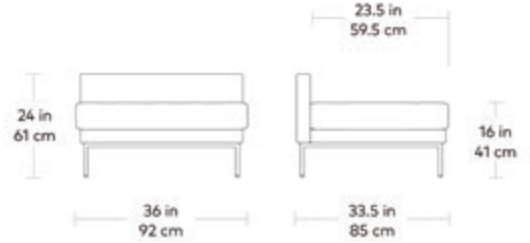
Sofas

CATEGORY
IN-STOCK & COM

Towne Lounge



Leather not available in Canada



Wallace Sofa

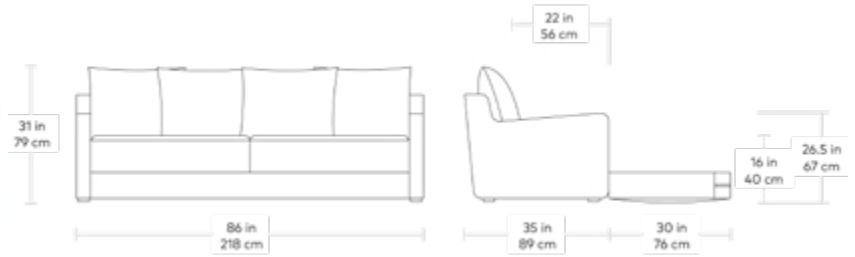
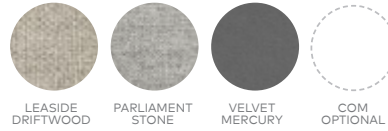


All of our In-Stock Solutions can be customized to suit the size and finish requirements of your project. Minimum quantities may apply to custom orders. Please visit gusdesigngroup.com to preview all current In-Stock finish options or to request physical swatch samples. Contact us for more information about In-Stock and COM Solutions.

Sofabeds

CATEGORY
IN-STOCK & COM

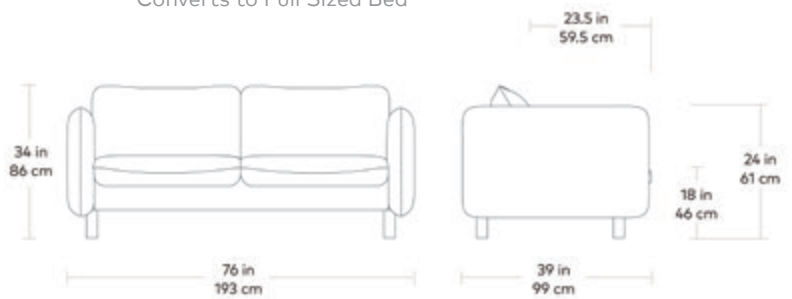
Flipside Sofabed



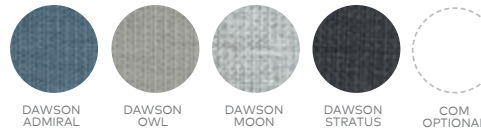
Rialto Sofabed



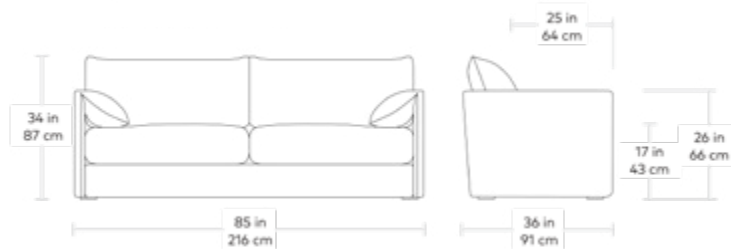
Converts to Full Sized Bed



Neru Sofabed



Converts to Queen Sized Bed



All of our In-Stock Solutions can be customized to suit the size and finish requirements of your project. Minimum quantities may apply to custom orders. Please visit gusdesigngroup.com to preview all current In-Stock finish options or to request physical swatch samples. Contact us for more information about In-Stock and COM Solutions.

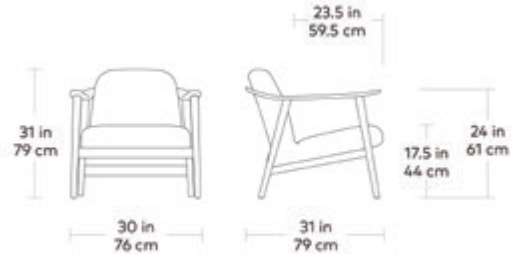
Chairs

CATEGORY
IN-STOCK & COM

Baltic Chair (Natural Ash)



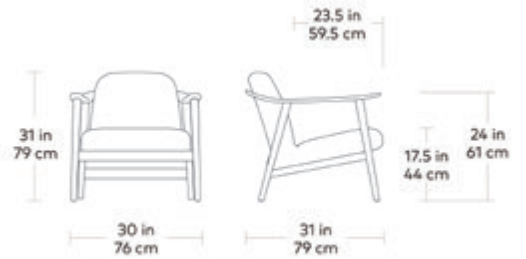
Leather not available in Canada



Baltic Chair (Walnut)



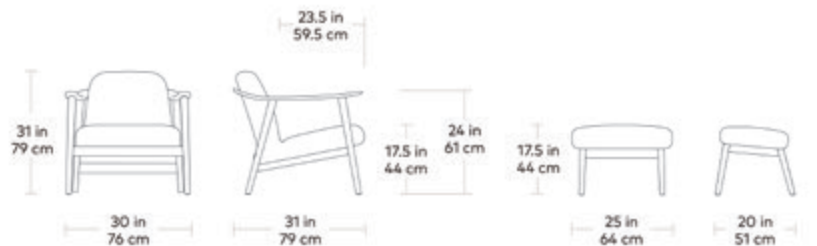
Leather not available in Canada



Baltic Chair & Ottoman (Natural Ash)



Leather not available in Canada



All of our In-Stock Solutions can be customized to suit the size and finish requirements of your project. Minimum quantities may apply to custom orders. Please visit gusdesigngroup.com to preview all current In-Stock finish options or to request physical swatch samples. Contact us for more information about In-Stock and COM Solutions.

Chairs

CATEGORY

IN-STOCK & COM

Baltic Chair & Ottoman (Walnut)



ANDORRA PEWTER



VELVET RUSSET



CANYON WHISKEY LEATHER

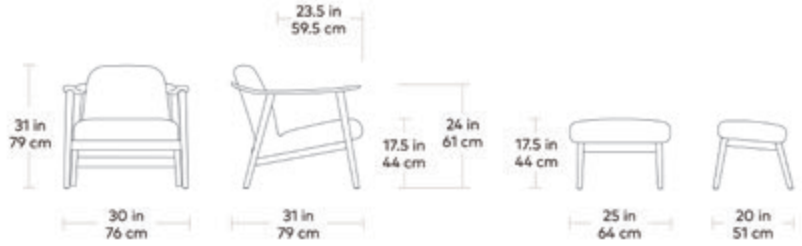


SADDLE BLACK LEATHER



COM OPTIONAL

Leather not available in Canada



Circuit Armless Chair



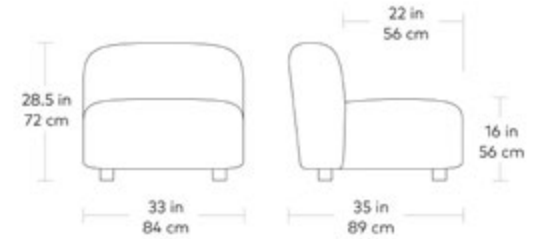
HIMALAYA CLOUD



HURON PETAL



COM OPTIONAL



Circuit Chaise



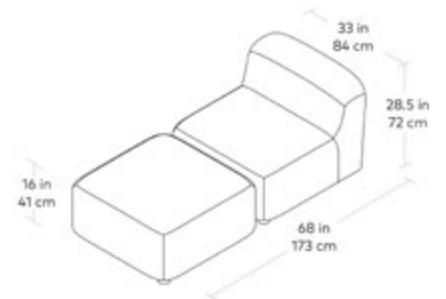
HIMALAYA CLOUD



HURON PETAL



COM OPTIONAL

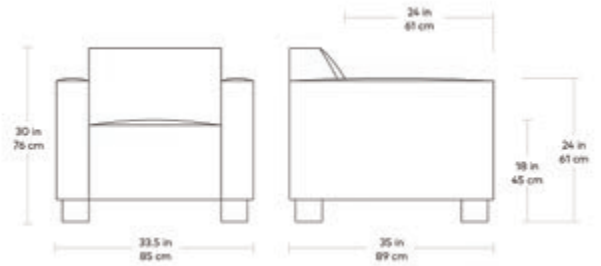


All of our In-Stock Solutions can be customized to suit the size and finish requirements of your project. Minimum quantities may apply to custom orders. Please visit gusdesigngroup.com to preview all current In-Stock finish options or to request physical swatch samples. Contact us for more information about In-Stock and COM Solutions.

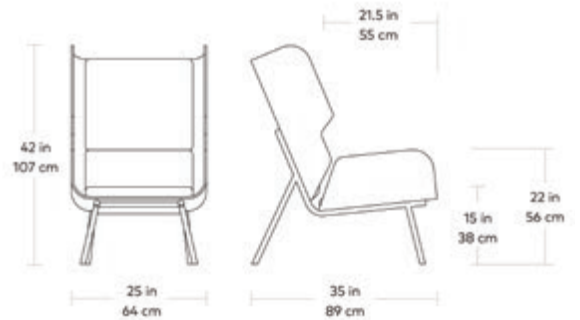
Chairs

CATEGORY
IN-STOCK & COM

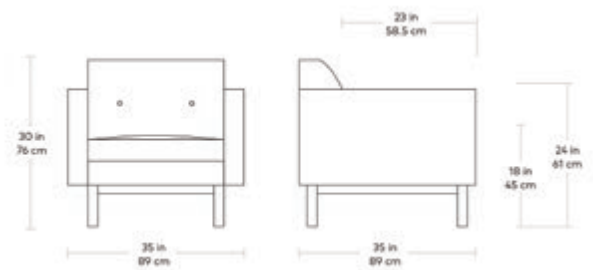
Cabot Chair



Elk Chair



Embassy Chair

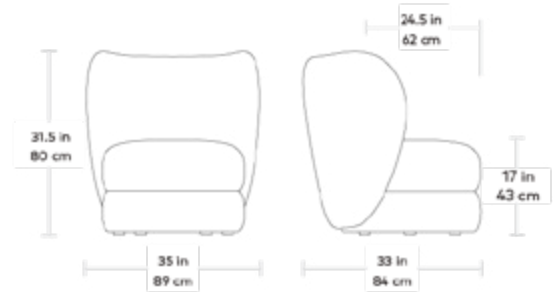
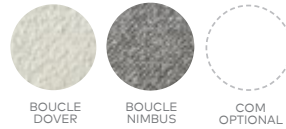


All of our In-Stock Solutions can be customized to suit the size and finish requirements of your project. Minimum quantities may apply to custom orders. Please visit gusdesigngroup.com to preview all current In-Stock finish options or to request physical swatch samples. Contact us for more information about In-Stock and COM Solutions.

Chairs

CATEGORY
IN-STOCK & COM

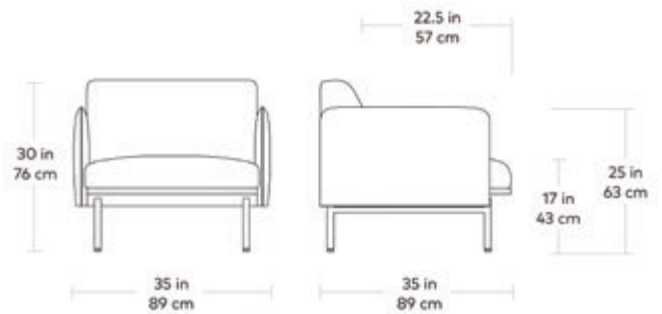
Forme Chair



Foundry Chair



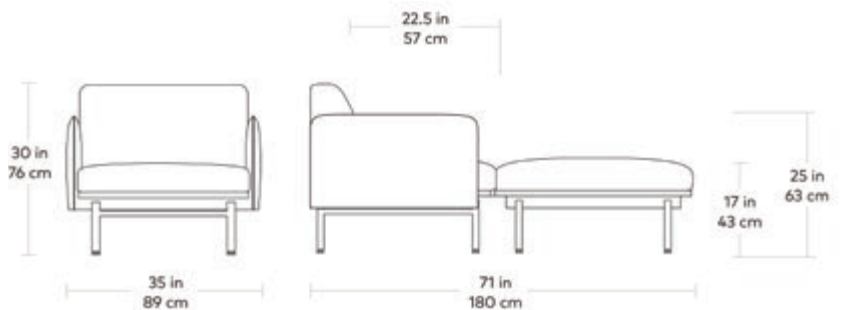
Leather not available in Canada



Foundry Chaise



Leather not available in Canada

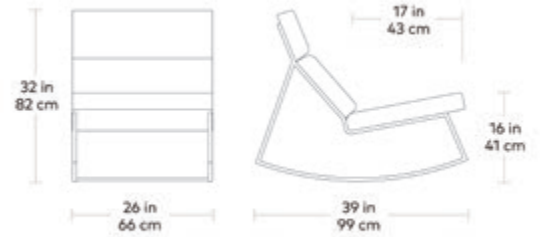
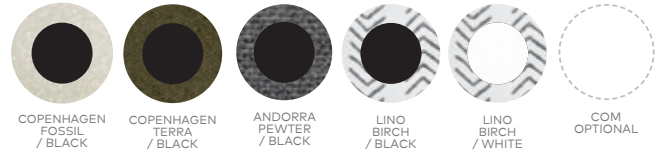


All of our In-Stock Solutions can be customized to suit the size and finish requirements of your project. Minimum quantities may apply to custom orders. Please visit gusdesigngroup.com to preview all current In-Stock finish options or to request physical swatch samples. Contact us for more information about In-Stock and COM Solutions.

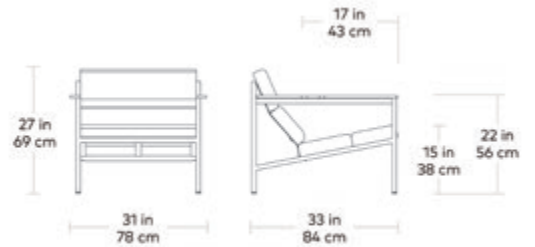
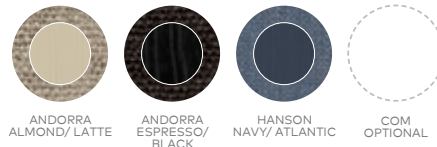
Chairs

CATEGORY
IN-STOCK & COM

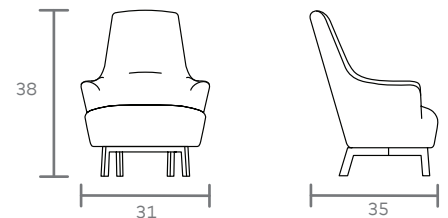
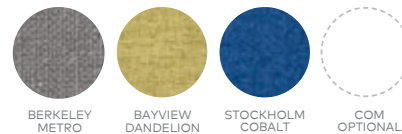
GT Rocker



Halifax Chair



Hilary Chair

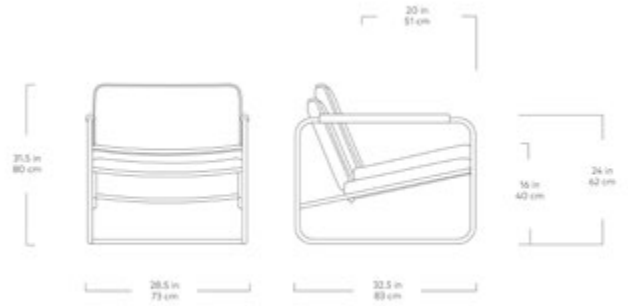


All of our In-Stock Solutions can be customized to suit the size and finish requirements of your project. Minimum quantities may apply to custom orders. Please visit gusdesigngroup.com to preview all current In-Stock finish options or to request physical swatch samples. Contact us for more information about In-Stock and COM Solutions.

Chairs

CATEGORY
IN-STOCK & COM

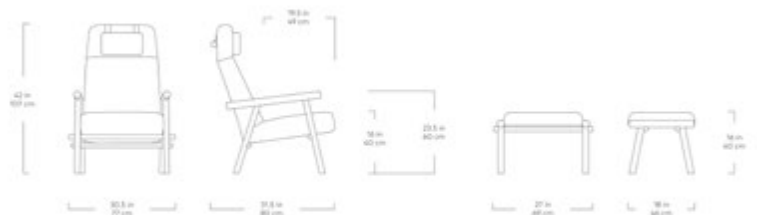
Kelso Chair



Labrador Chair



Labrador Chair & Ottoman



All of our In-Stock Solutions can be customized to suit the size and finish requirements of your project. Minimum quantities may apply to custom orders. Please visit gusdesigngroup.com to preview all current In-Stock finish options or to request physical swatch samples. Contact us for more information about In-Stock and COM Solutions.

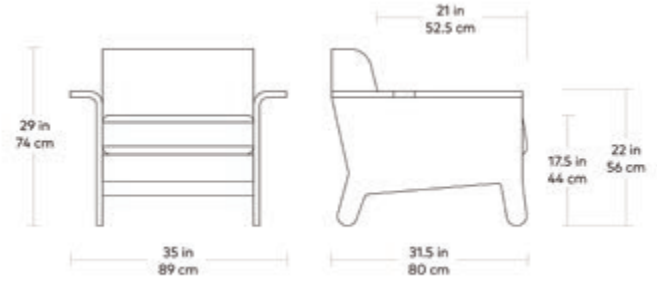
Chairs

CATEGORY
IN-STOCK & COM

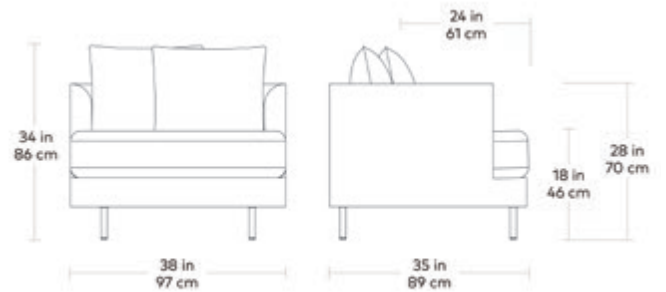
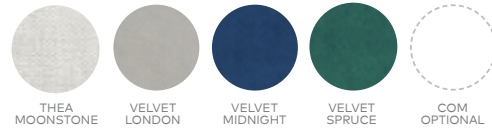
Lodge Chair



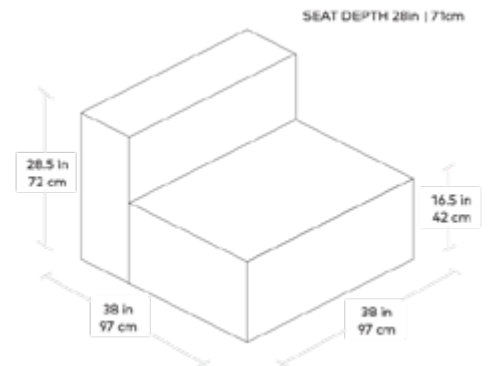
Leather not available in Canada



Margot Chair



Mix Armless Chair

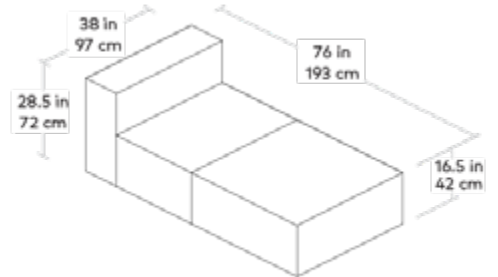


All of our In-Stock Solutions can be customized to suit the size and finish requirements of your project. Minimum quantities may apply to custom orders. Please visit gusdesigngroup.com to preview all current In-Stock finish options or to request physical swatch samples. Contact us for more information about In-Stock and COM Solutions.

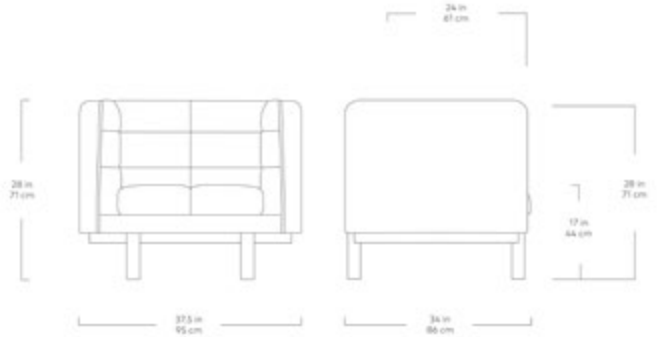
Chairs

CATEGORY
IN-STOCK & COM

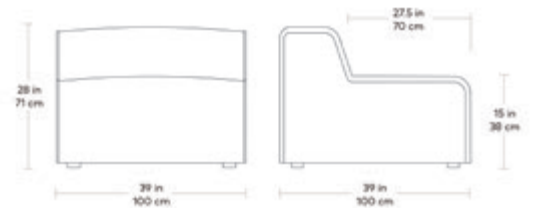
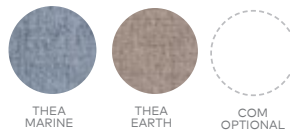
Mix Chaise (2 Piece)



Mulholland Chair



Nexus Modular Armless Chair

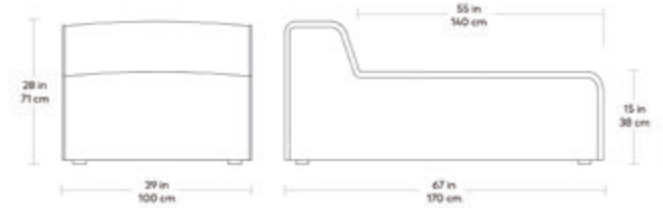
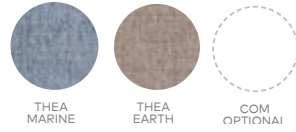


All of our In-Stock Solutions can be customized to suit the size and finish requirements of your project. Minimum quantities may apply to custom orders. Please visit gusdesigngroup.com to preview all current In-Stock finish options or to request physical swatch samples. Contact us for more information about In-Stock and COM Solutions.

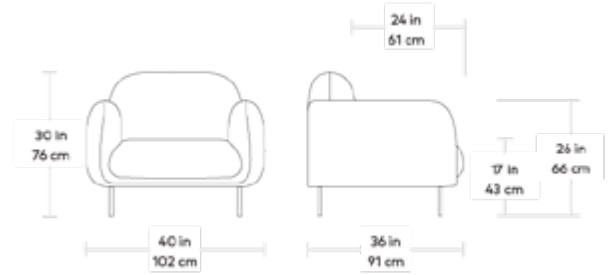
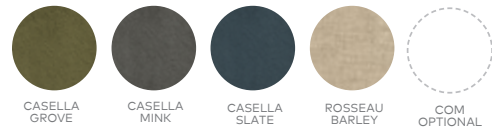
Chairs

CATEGORY
IN-STOCK & COM

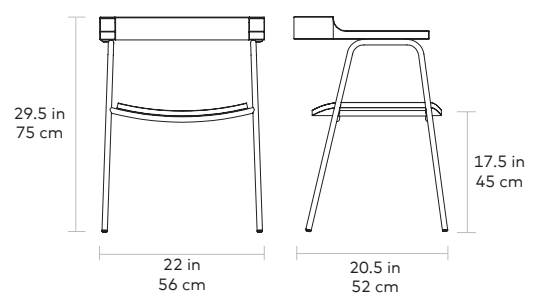
Nexus Modular Armless Chaise



Nord Chair



Principal Chair

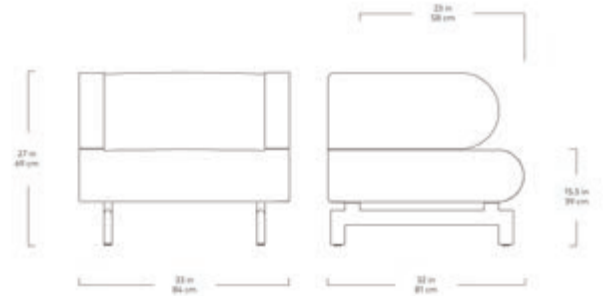
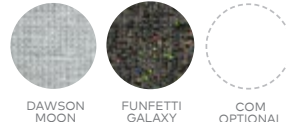


All of our In-Stock Solutions can be customized to suit the size and finish requirements of your project. Minimum quantities may apply to custom orders. Please visit gusdesigngroup.com to preview all current In-Stock finish options or to request physical swatch samples. Contact us for more information about In-Stock and COM Solutions.

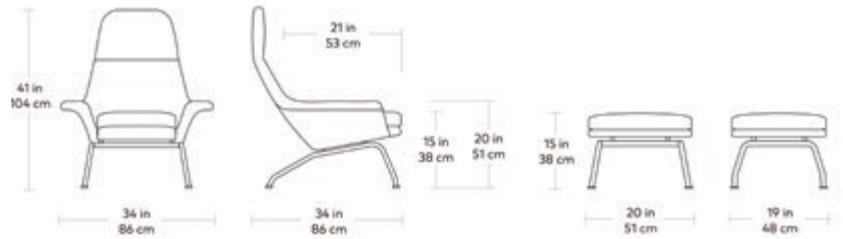
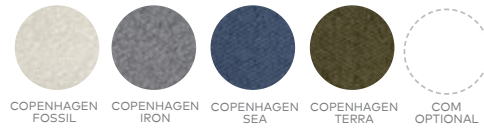
Chairs

CATEGORY
IN-STOCK & COM

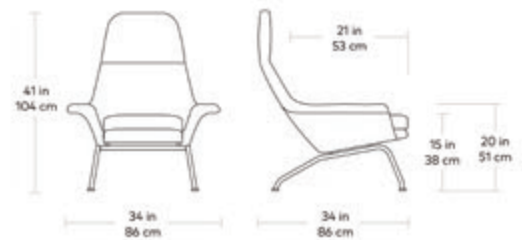
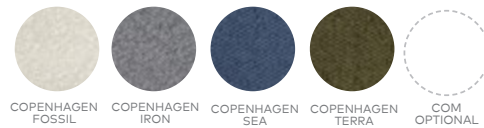
Soren Chair



Tallinn Chair & Ottoman



Tallinn Chair

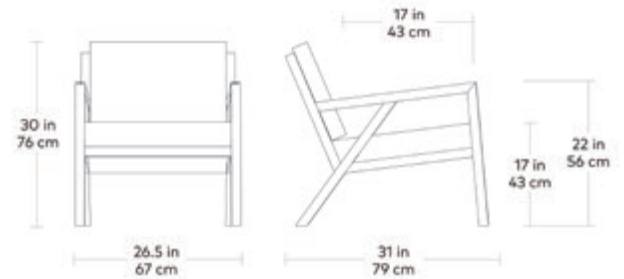


All of our In-Stock Solutions can be customized to suit the size and finish requirements of your project. Minimum quantities may apply to custom orders. Please visit gusdesigngroup.com to preview all current In-Stock finish options or to request physical swatch samples. Contact us for more information about In-Stock and COM Solutions.

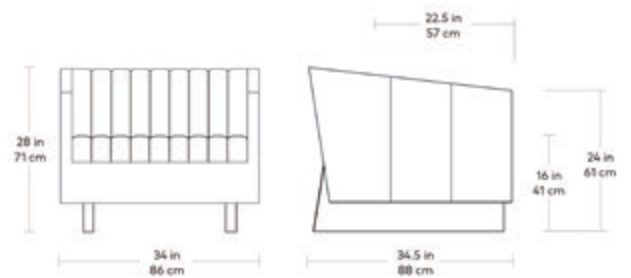
Chairs

CATEGORY
IN-STOCK & COM

Truss Chair



Wallace Chair



All of our In-Stock Solutions can be customized to suit the size and finish requirements of your project. Minimum quantities may apply to custom orders. Please visit gusdesigngroup.com to preview all current In-Stock finish options or to request physical swatch samples. Contact us for more information about In-Stock and COM Solutions.

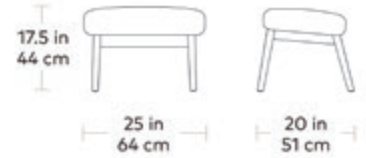
Ottomans

CATEGORY
IN-STOCK & COM

Baltic Ottoman (Natural Ash)



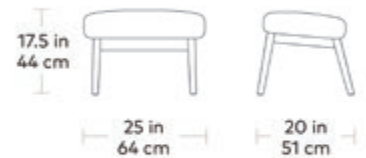
Leather not available



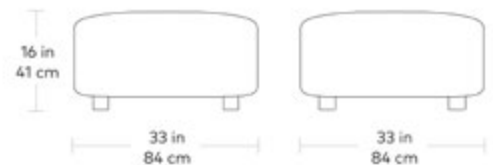
Baltic Ottoman (Walnut)



Leather not available in Canada



Circuit Ottoman



All of our In-Stock Solutions can be customized to suit the size and finish requirements of your project. Minimum quantities may apply to custom orders. Please visit gusdesigngroup.com to preview all current In-Stock finish options or to request physical swatch samples. Contact us for more information about In-Stock and COM Solutions.

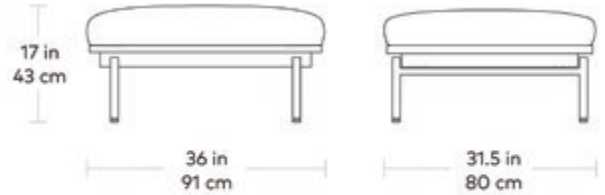
Ottomans

CATEGORY
IN-STOCK & COM

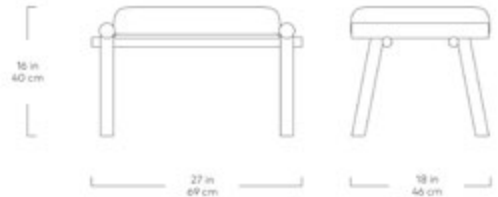
Foundry Ottoman



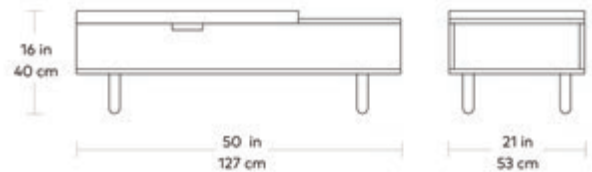
Leather not available in Canada



Labrador Ottoman



Mimico Storage Ottoman

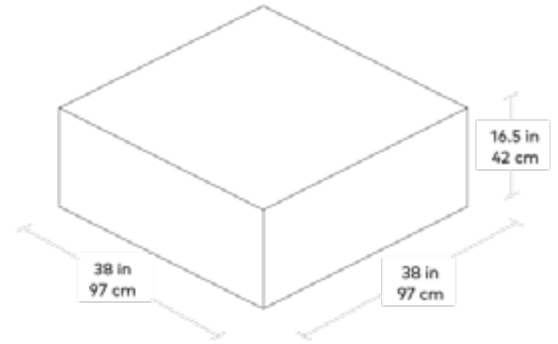


All of our In-Stock Solutions can be customized to suit the size and finish requirements of your project. Minimum quantities may apply to custom orders. Please visit gusdesigngroup.com to preview all current In-Stock finish options or to request physical swatch samples. Contact us for more information about In-Stock and COM Solutions.

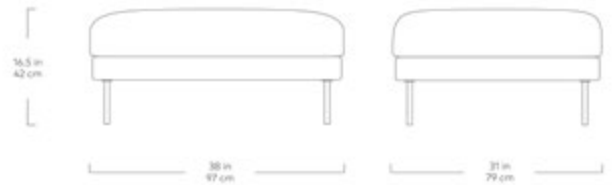
Ottomans

CATEGORY
IN-STOCK & COM

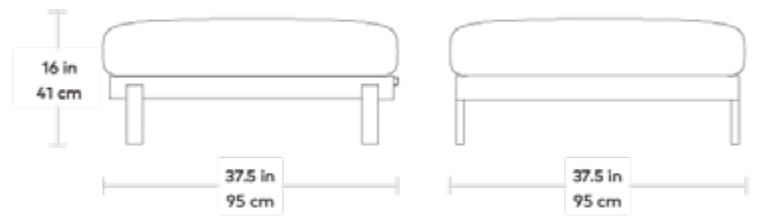
Mix Modular Ottoman



Renfrew Ottoman



Silverlake Ottoman

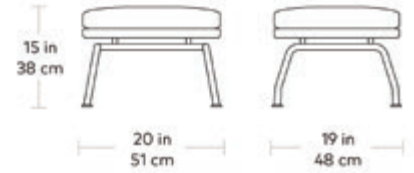
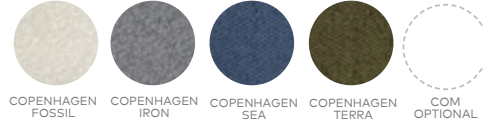


All of our In-Stock Solutions can be customized to suit the size and finish requirements of your project. Minimum quantities may apply to custom orders. Please visit gusdesigngroup.com to preview all current In-Stock finish options or to request physical swatch samples. Contact us for more information about In-Stock and COM Solutions.

Ottomans

CATEGORY
IN-STOCK & COM

Tallinn Ottoman

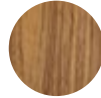


All of our In-Stock Solutions can be customized to suit the size and finish requirements of your project. Minimum quantities may apply to custom orders. Please visit gusdesigngroup.com to preview all current In-Stock finish options or to request physical swatch samples. Contact us for more information about In-Stock and COM Solutions.

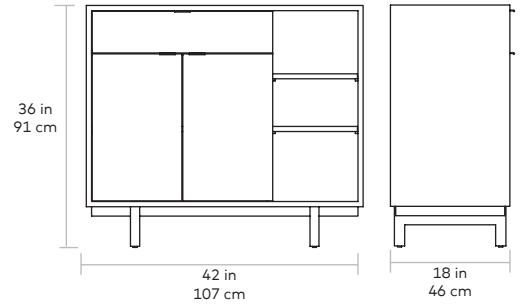
Storage

CATEGORY
IN-STOCK & COM

Belmont Cabinet



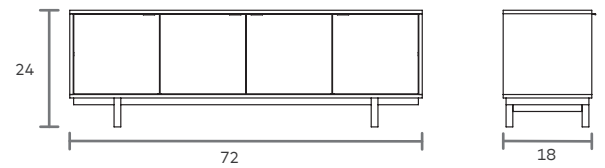
WALNUT



Belmont Credenza



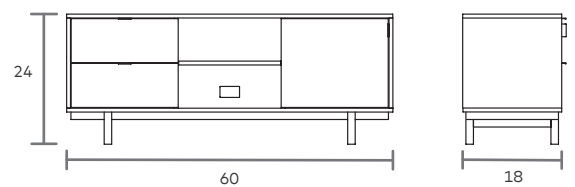
WALNUT



Belmont Media Stand



WALNUT

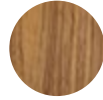


All of our In-Stock Solutions can be customized to suit the size and finish requirements of your project. Minimum quantities may apply to custom orders. Please visit gusdesigngroup.com to preview all current In-Stock finish options or to request physical swatch samples. Contact us for more information about In-Stock and COM Solutions.

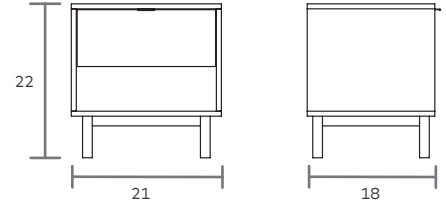
Storage

CATEGORY
IN-STOCK & COM

Belmont End Table



WALNUT



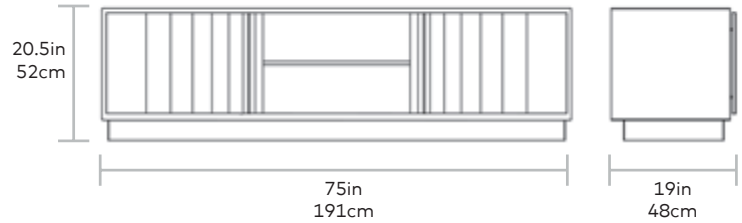
Elora Media Stand



PEARL

DUSK

CHIFFON



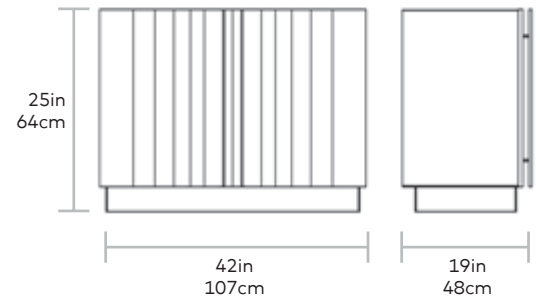
Elora Cabinet



PEARL

DUSK

CHIFFON

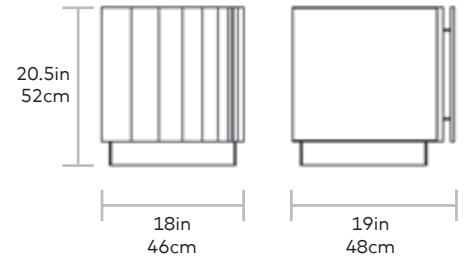


All of our In-Stock Solutions can be customized to suit the size and finish requirements of your project. Minimum quantities may apply to custom orders. Please visit gusdesigngroup.com to preview all current In-Stock finish options or to request physical swatch samples. Contact us for more information about In-Stock and COM Solutions.

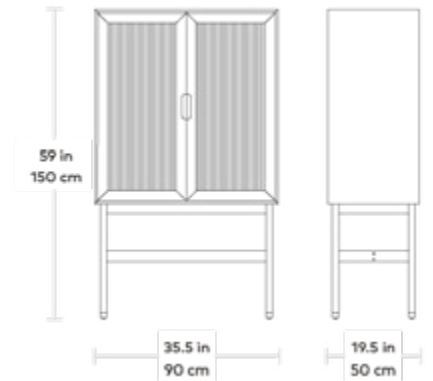
Storage

CATEGORY
IN-STOCK & COM

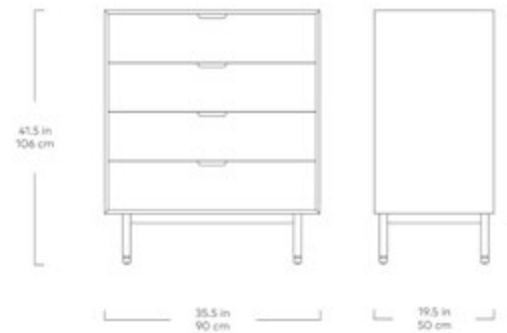
Elora End Table



Munro Vitrine



Munro 4 Drawer Dresser



All of our In-Stock Solutions can be customized to suit the size and finish requirements of your project. Minimum quantities may apply to custom orders. Please visit gusdesigngroup.com to preview all current In-Stock finish options or to request physical swatch samples. Contact us for more information about In-Stock and COM Solutions.

Storage

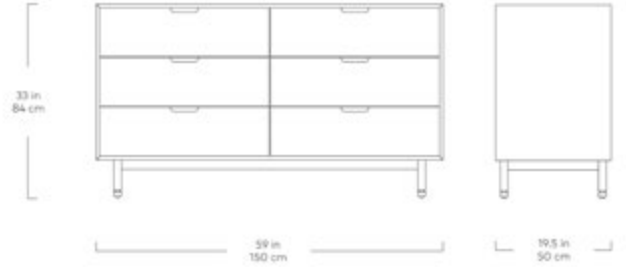
CATEGORY
IN-STOCK & COM

Munro 6 Drawer Dresser



WALNUT

WHITE OAK

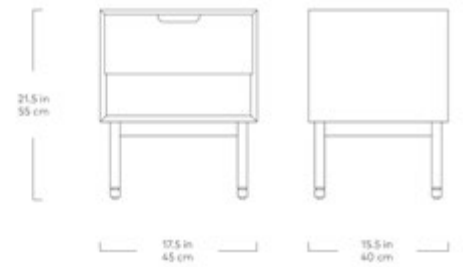


Munro End Table



WALNUT

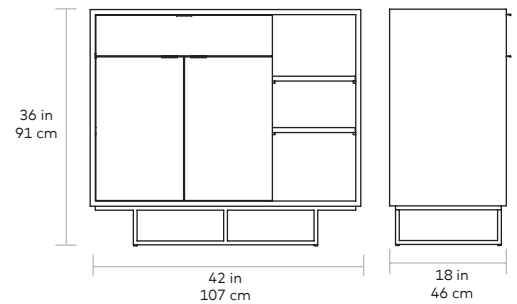
WHITE OAK



Myles Cabinet



BLACK OAK

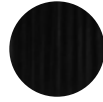


All of our In-Stock Solutions can be customized to suit the size and finish requirements of your project. Minimum quantities may apply to custom orders. Please visit gusdesigngroup.com to preview all current In-Stock finish options or to request physical swatch samples. Contact us for more information about In-Stock and COM Solutions.

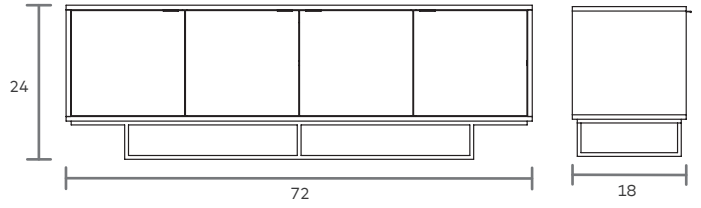
Storage

CATEGORY
IN-STOCK & COM

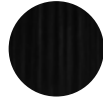
Myles Credenza



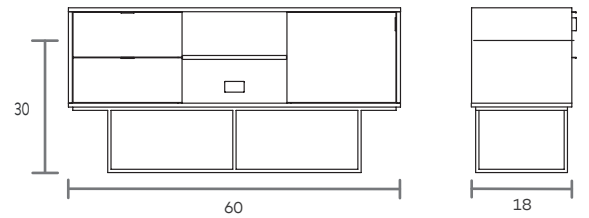
BLACK OAK



Myles Media Stand



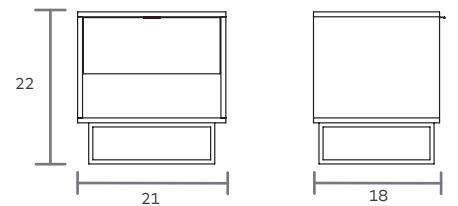
BLACK OAK



Myles End Table



BLACK OAK

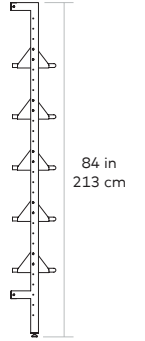
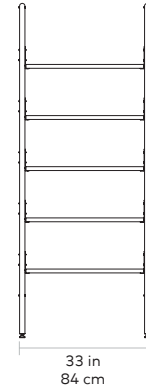
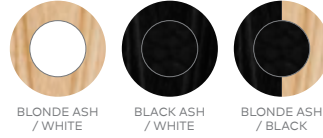


All of our In-Stock Solutions can be customized to suit the size and finish requirements of your project. Minimum quantities may apply to custom orders. Please visit gusdesigngroup.com to preview all current In-Stock finish options or to request physical swatch samples. Contact us for more information about In-Stock and COM Solutions.

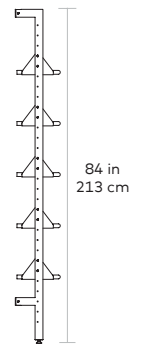
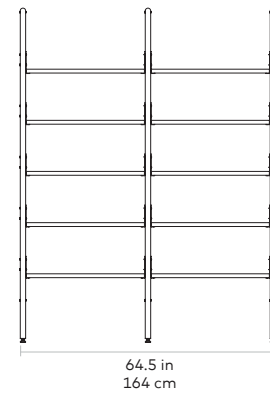
Storage

CATEGORY
IN-STOCK & COM

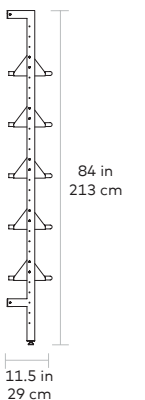
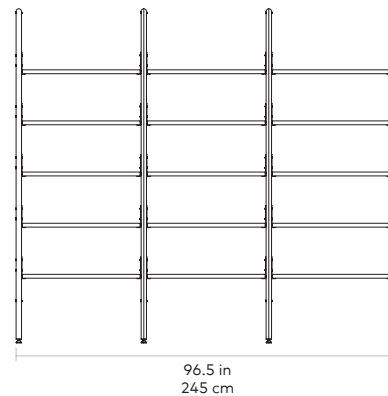
Branch-1 Shelving Unit



Branch-2 Shelving Unit



Branch-3 Shelving Unit

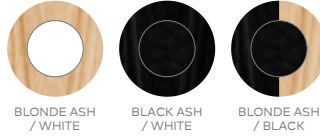


All of our In-Stock Solutions can be customized to suit the size and finish requirements of your project. Minimum quantities may apply to custom orders. Please visit gusdesigngroup.com to preview all current In-Stock finish options or to request physical swatch samples. Contact us for more information about In-Stock and COM Solutions.

Storage

CATEGORY
IN-STOCK & COM

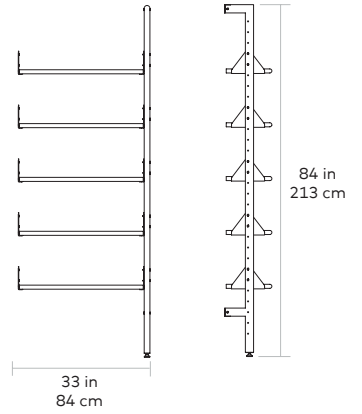
Branch Shelving Unit Add-On



BLONDE ASH / WHITE

BLACK ASH / WHITE

BLONDE ASH / BLACK



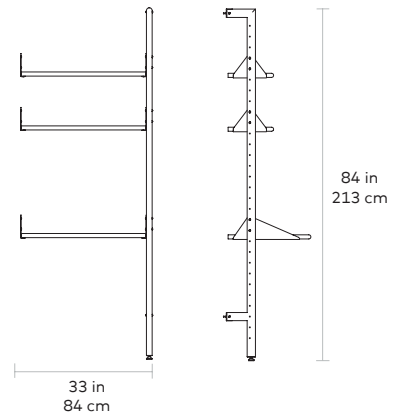
Branch Desk Unit Add-On



BLONDE ASH / WHITE

BLACK ASH / WHITE

BLONDE ASH / BLACK



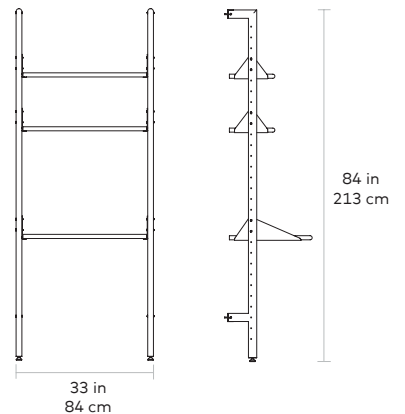
Branch-1 Shelving Unit with Desk



BLONDE ASH / WHITE

BLACK ASH / WHITE

BLONDE ASH / BLACK

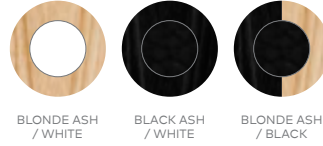


All of our In-Stock Solutions can be customized to suit the size and finish requirements of your project. Minimum quantities may apply to custom orders. Please visit gusdesigngroup.com to preview all current In-Stock finish options or to request physical swatch samples. Contact us for more information about In-Stock and COM Solutions.

Storage

CATEGORY
IN-STOCK & COM

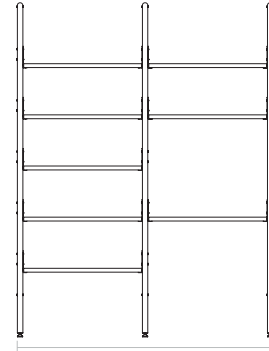
Branch-2 Shelving Unit with Desk



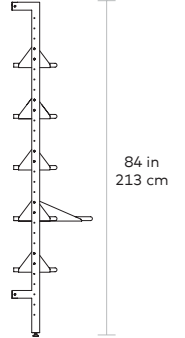
BLONDE ASH / WHITE

BLACK ASH / WHITE

BLONDE ASH / BLACK



64.5 in
164 cm



84 in
213 cm

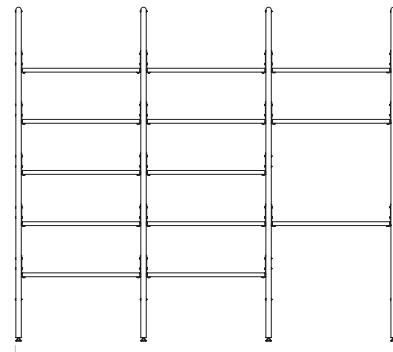
Branch-3 Shelving Unit with Desk



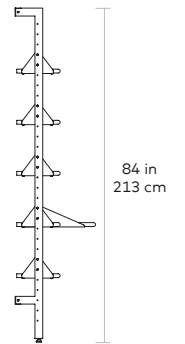
BLONDE ASH / WHITE

BLACK ASH / WHITE

BLONDE ASH / BLACK



96.5 in
245 cm



84 in
213 cm

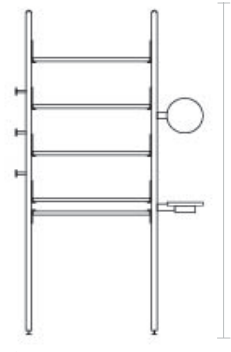
Branch-1 Display Unit



BLONDE ASH / WHITE

BLACK ASH / WHITE

BLONDE ASH / BLACK



48.5 in
124 cm

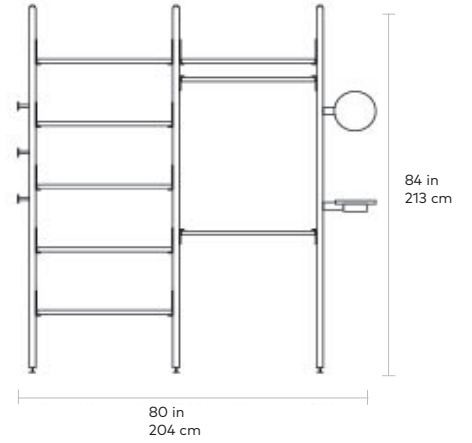
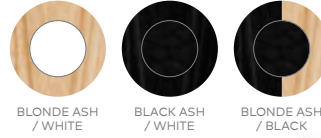
84 in
213 cm

All of our In-Stock Solutions can be customized to suit the size and finish requirements of your project. Minimum quantities may apply to custom orders. Please visit gusdesigngroup.com to preview all current In-Stock finish options or to request physical swatch samples. Contact us for more information about In-Stock and COM Solutions.

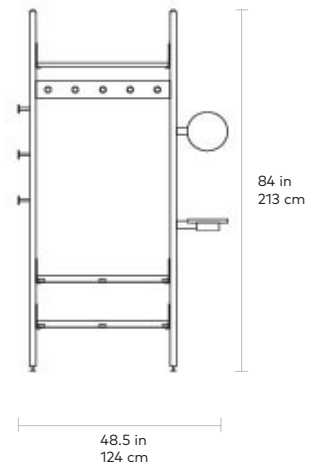
Storage

CATEGORY
IN-STOCK & COM

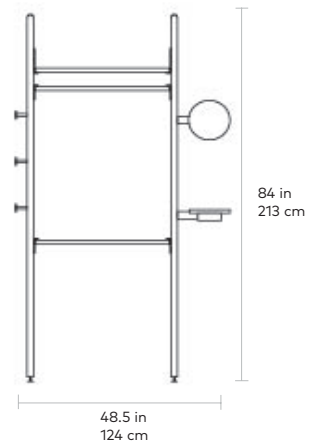
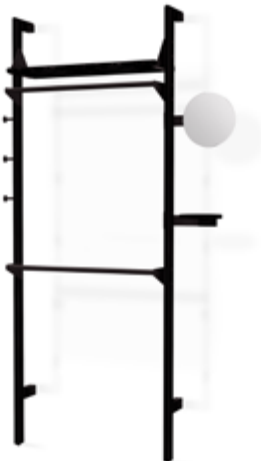
Branch-2 Display Unit



Branch-1 Entryway Unit



Branch-1 Wardrobe Unit



All of our In-Stock Solutions can be customized to suit the size and finish requirements of your project. Minimum quantities may apply to custom orders. Please visit gusdesigngroup.com to preview all current In-Stock finish options or to request physical swatch samples. Contact us for more information about In-Stock and COM Solutions.

Storage

CATEGORY
IN-STOCK & COM

Branch-2 Wardrobe Unit



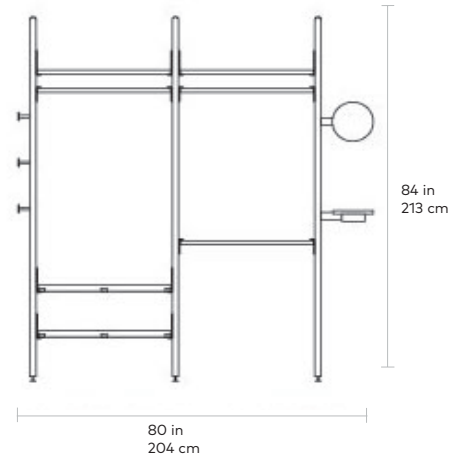
BLONDE ASH
/ WHITE



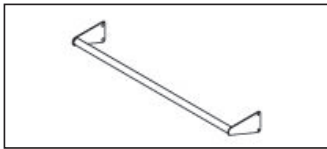
BLACK ASH
/ WHITE



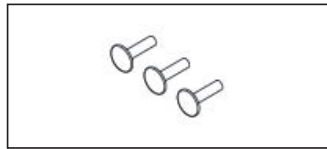
BLONDE ASH
/



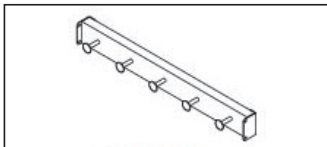
Components



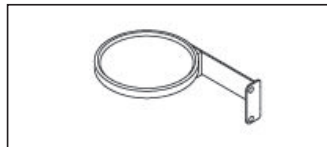
Hang Bar



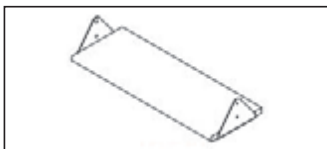
Side Hooks



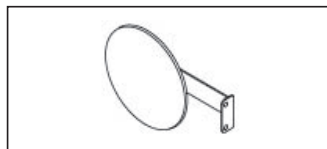
Hook Rail



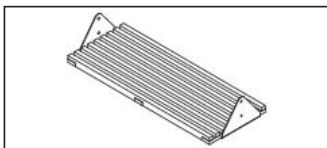
Side Tray



Shelf



Side Mirror



Slatted Shelf

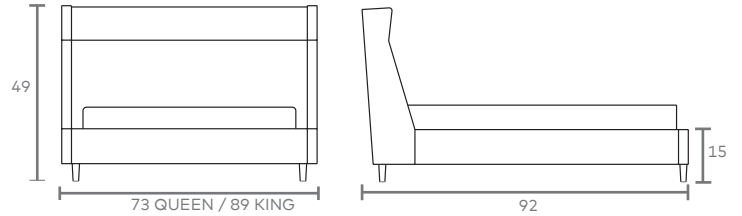
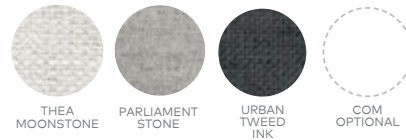


All of our In-Stock Solutions can be customized to suit the size and finish requirements of your project. Minimum quantities may apply to custom orders. Please visit gusdesigngroup.com to preview all current In-Stock finish options or to request physical swatch samples. Contact us for more information about In-Stock and COM Solutions.

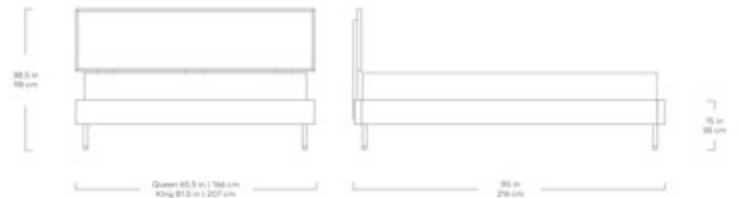
Beds

CATEGORY
IN-STOCK & COM

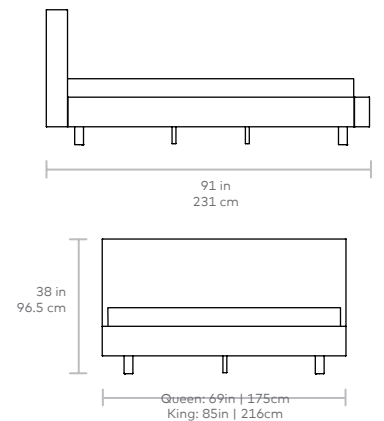
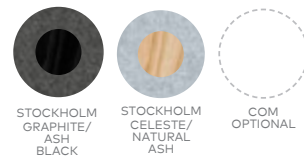
Carmichael Bed



Munro Bed



Parcel Bed

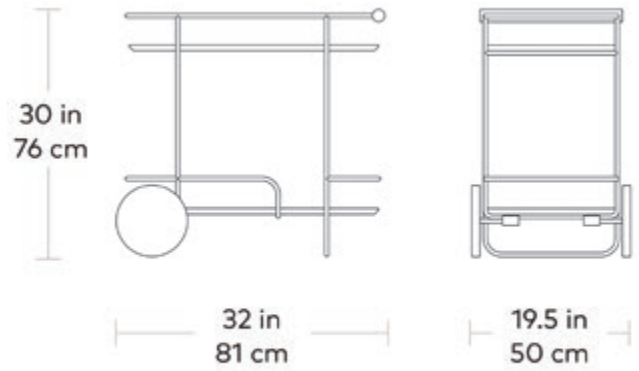


All of our In-Stock Solutions can be customized to suit the size and finish requirements of your project. Minimum quantities may apply to custom orders. Please visit gusdesigngroup.com to preview all current In-Stock finish options or to request physical swatch samples. Contact us for more information about In-Stock and COM Solutions.

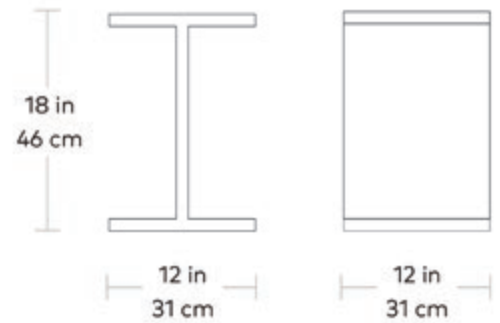
Accents

CATEGORY
IN-STOCK & COM

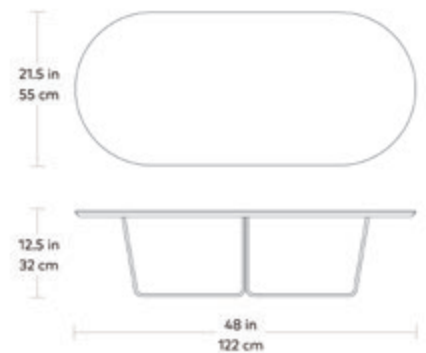
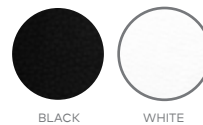
Arcade Bar Cart



Acrylic I-Beam End Table



Array Coffee Table - Oval

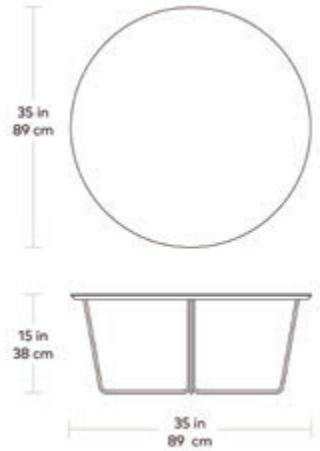


All of our In-Stock Solutions can be customized to suit the size and finish requirements of your project. Minimum quantities may apply to custom orders. Please visit gusdesigngroup.com to preview all current In-Stock finish options or to request physical swatch samples. Contact us for more information about In-Stock and COM Solutions.

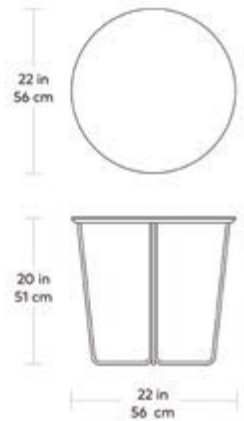
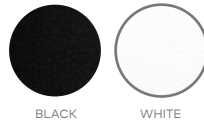
Accents

CATEGORY
IN-STOCK & COM

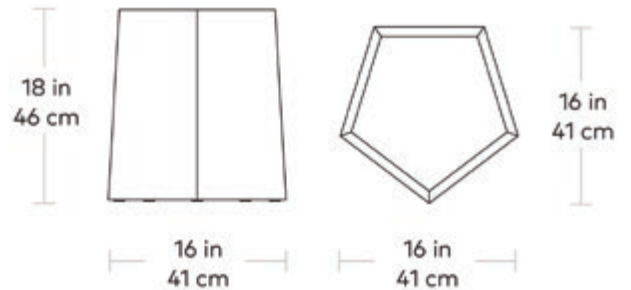
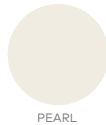
Array Coffee Table - Round



Array End Table



Facet - 7 End Table

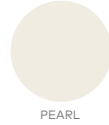


All of our In-Stock Solutions can be customized to suit the size and finish requirements of your project. Minimum quantities may apply to custom orders. Please visit gusdesigngroup.com to preview all current In-Stock finish options or to request physical swatch samples. Contact us for more information about In-Stock and COM Solutions.

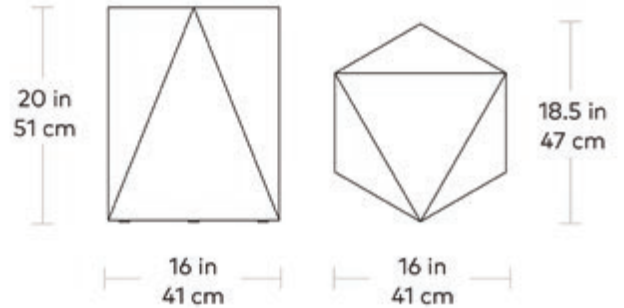
Accents

CATEGORY
IN-STOCK & COM

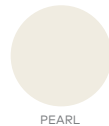
Facet - 8 End Table



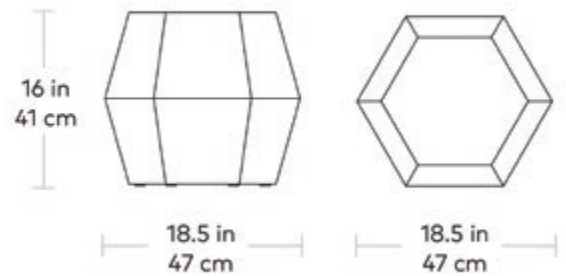
PEARL



Facet - 14 End Table



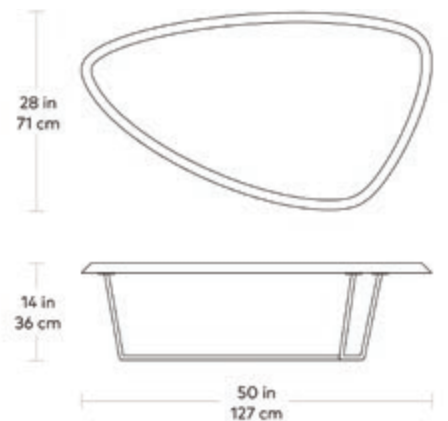
PEARL



Hull Coffee Table



NATURAL ASH
/ BLACK

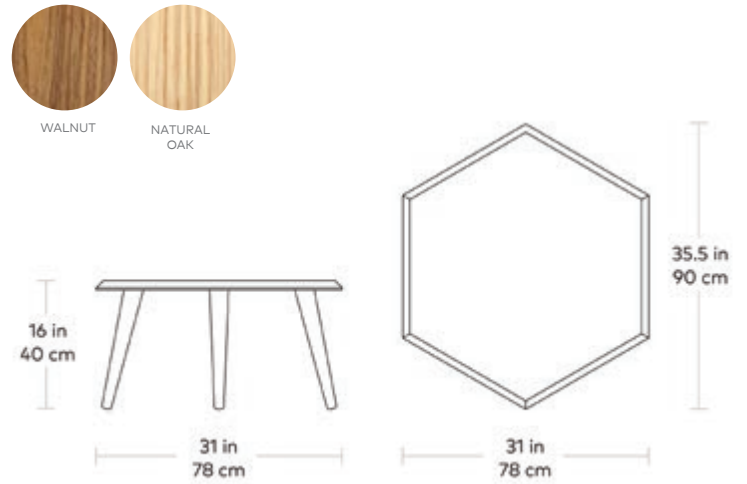


All of our In-Stock Solutions can be customized to suit the size and finish requirements of your project. Minimum quantities may apply to custom orders. Please visit gusdesigngroup.com to preview all current In-Stock finish options or to request physical swatch samples. Contact us for more information about In-Stock and COM Solutions.

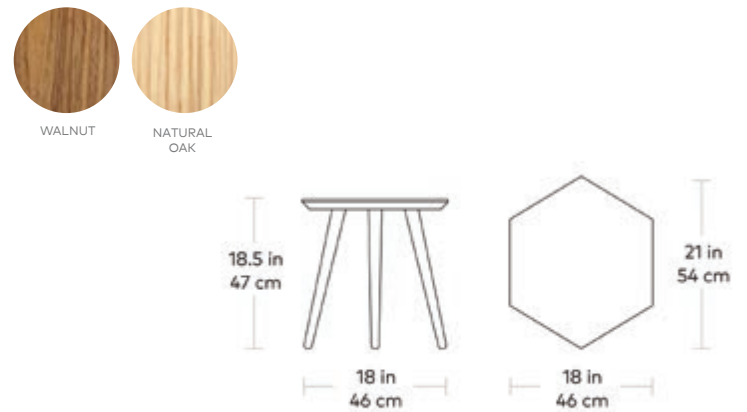
Accents

CATEGORY
IN-STOCK & COM

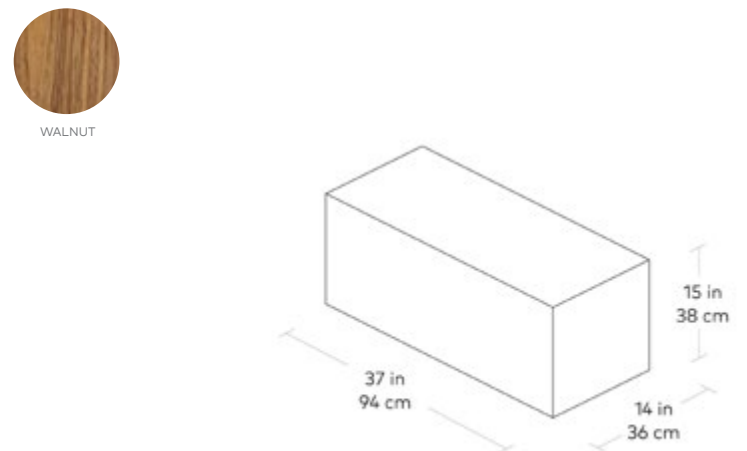
Metric Coffee Table



Metric End Table



Mix Modular Block Table



All of our In-Stock Solutions can be customized to suit the size and finish requirements of your project. Minimum quantities may apply to custom orders. Please visit gusdesigngroup.com to preview all current In-Stock finish options or to request physical swatch samples. Contact us for more information about In-Stock and COM Solutions.

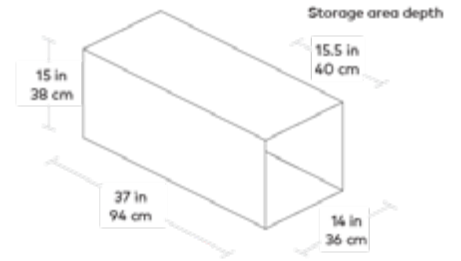
Accents

CATEGORY
IN-STOCK & COM

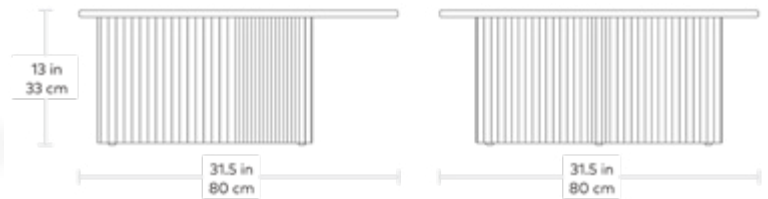
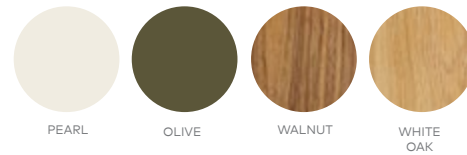
Mix Modular Prism Table



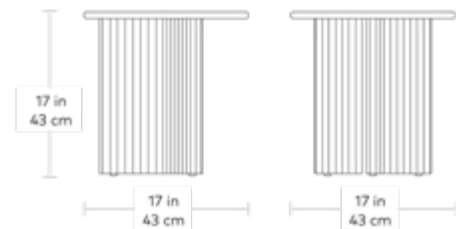
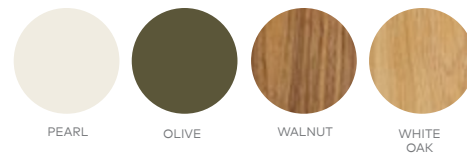
HOT
ROLLED STEEL



Odeon Coffee Table



Odeon End Table

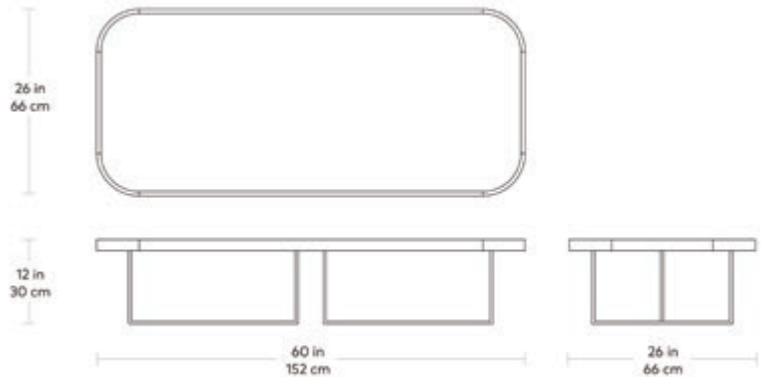


All of our In-Stock Solutions can be customized to suit the size and finish requirements of your project. Minimum quantities may apply to custom orders. Please visit gusdesigngroup.com to preview all current In-Stock finish options or to request physical swatch samples. Contact us for more information about In-Stock and COM Solutions.

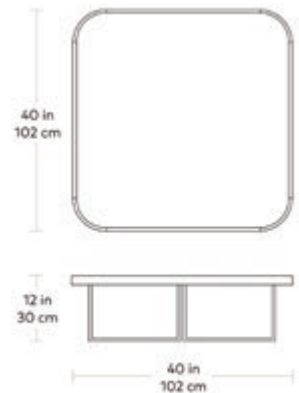
Accents

CATEGORY
IN-STOCK & COM

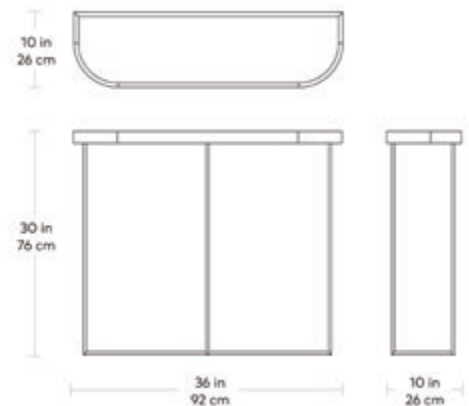
Porter Rectangular Coffee Table



Porter Square Coffee Table



Porter Console Table

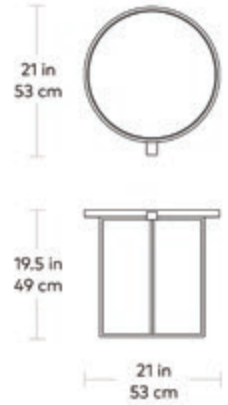
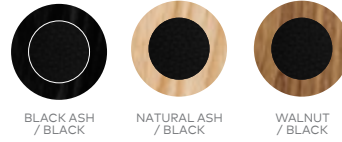


All of our In-Stock Solutions can be customized to suit the size and finish requirements of your project. Minimum quantities may apply to custom orders. Please visit gusdesigngroup.com to preview all current In-Stock finish options or to request physical swatch samples. Contact us for more information about In-Stock and COM Solutions.

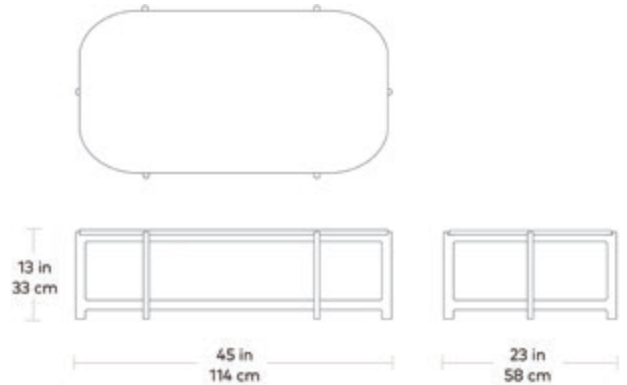
Accents

CATEGORY
IN-STOCK & COM

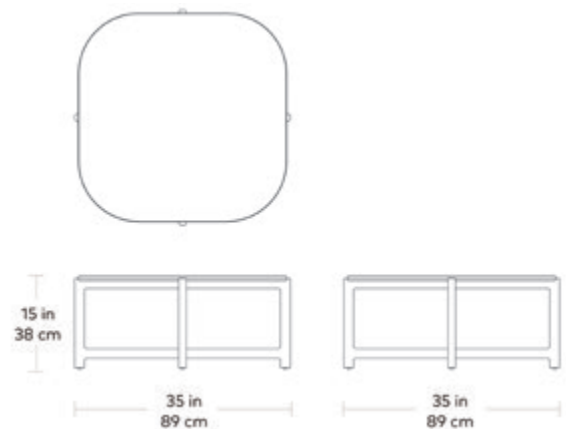
Porter End Table



Quarry Rectangular Coffee Table



Quarry Square Coffee Table

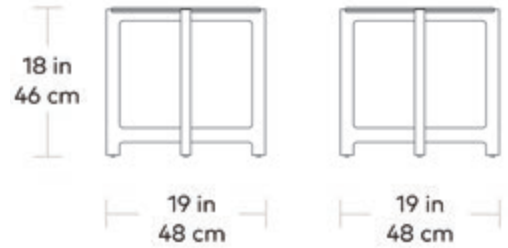


All of our In-Stock Solutions can be customized to suit the size and finish requirements of your project. Minimum quantities may apply to custom orders. Please visit gusdesigngroup.com to preview all current In-Stock finish options or to request physical swatch samples. Contact us for more information about In-Stock and COM Solutions.

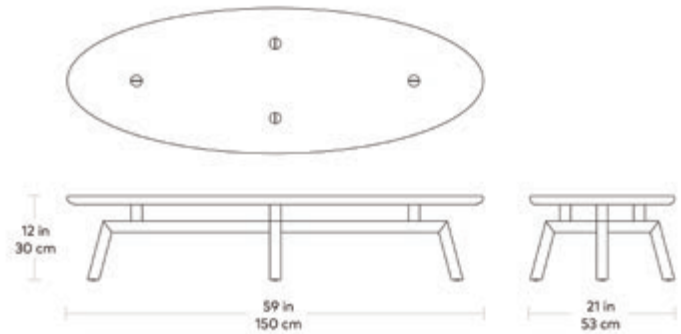
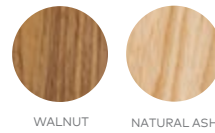
Accents

CATEGORY
IN-STOCK & COM

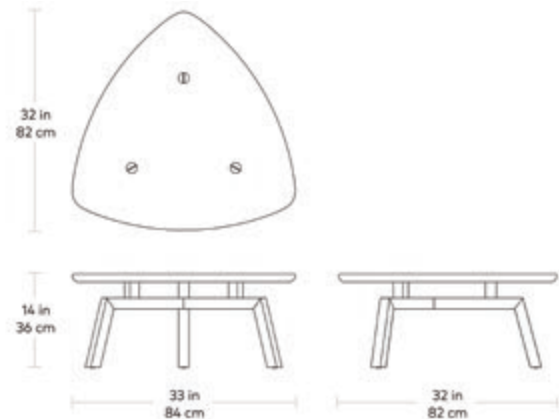
Quarry End Table



Solana Oval Coffee Table



Solana Triangular Coffee Table

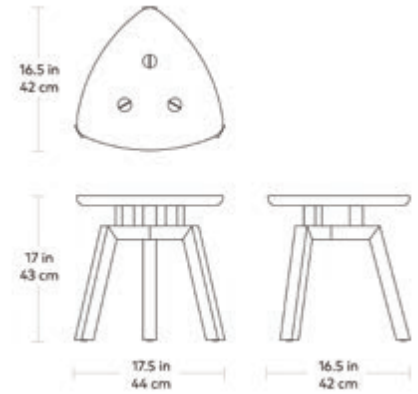
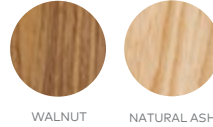


All of our In-Stock Solutions can be customized to suit the size and finish requirements of your project. Minimum quantities may apply to custom orders. Please visit gusdesigngroup.com to preview all current In-Stock finish options or to request physical swatch samples. Contact us for more information about In-Stock and COM Solutions.

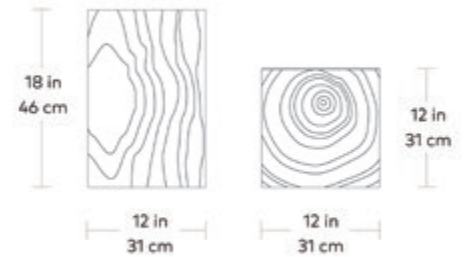
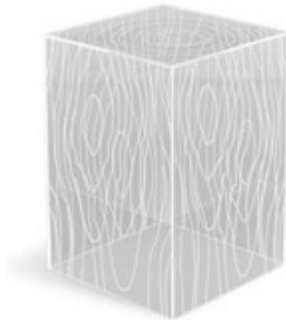
Accents

CATEGORY
IN-STOCK & COM

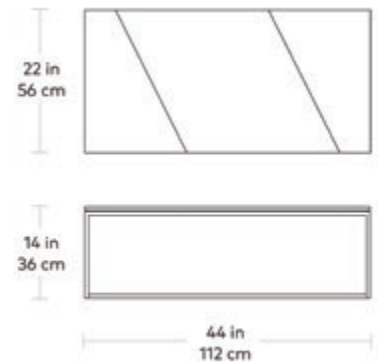
Solana Triangular End Table



Timber Table



Tobias Coffee Table - Rectangular



All of our In-Stock Solutions can be customized to suit the size and finish requirements of your project. Minimum quantities may apply to custom orders. Please visit gusdesigngroup.com to preview all current In-Stock finish options or to request physical swatch samples. Contact us for more information about In-Stock and COM Solutions.

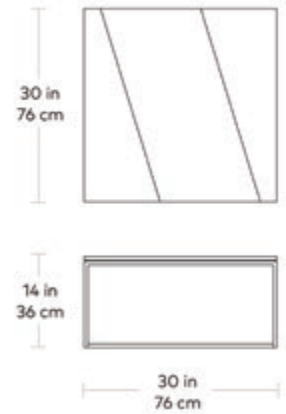
Accents

CATEGORY
IN-STOCK & COM

Tobias Coffee Table - Square



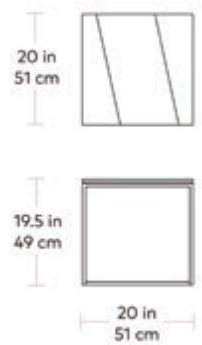
WALNUT



Tobias End Table



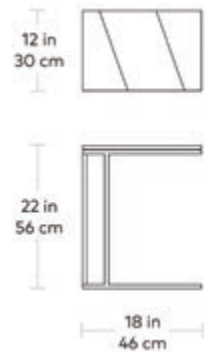
WALNUT



Tobias Nesting Table



WALNUT



All of our In-Stock Solutions can be customized to suit the size and finish requirements of your project. Minimum quantities may apply to custom orders. Please visit gusdesigngroup.com to preview all current In-Stock finish options or to request physical swatch samples. Contact us for more information about In-Stock and COM Solutions.

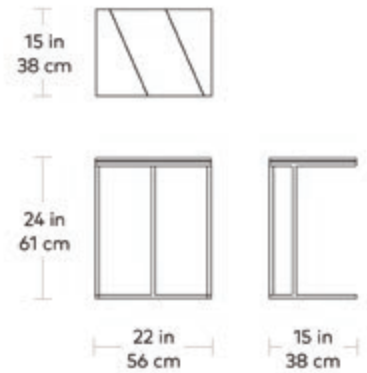
Accents

CATEGORY
IN-STOCK & COM

Tobias Network Table



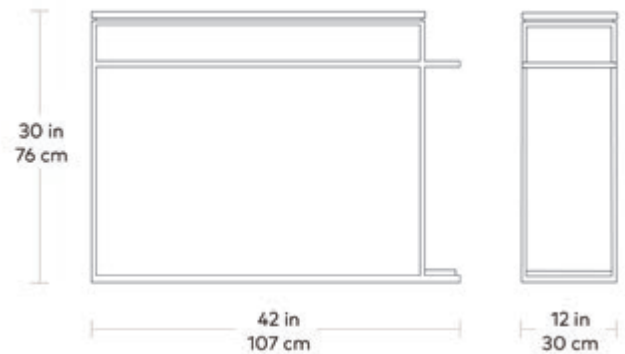
WALNUT



Tobias Console Table



WALNUT



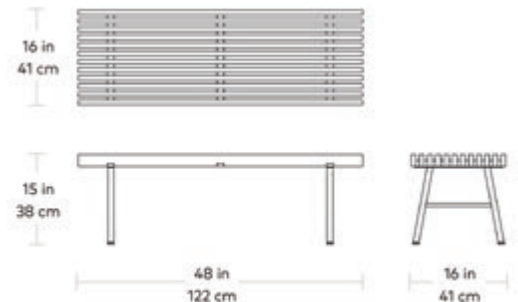
Transit Bench



BLACK ASH /
BLACK



NATURAL ASH /
WHITE



All of our In-Stock Solutions can be customized to suit the size and finish requirements of your project. Minimum quantities may apply to custom orders. Please visit gusdesigngroup.com to preview all current In-Stock finish options or to request physical swatch samples. Contact us for more information about In-Stock and COM Solutions.

Accents

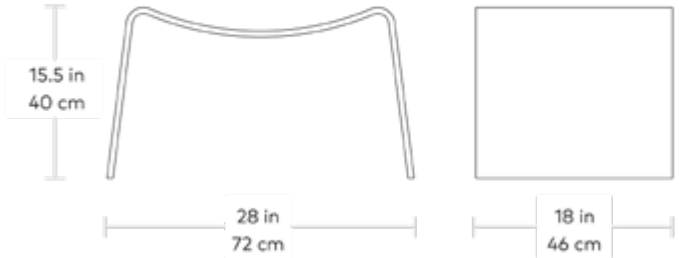
CATEGORY
IN-STOCK & COM

Wave Stool



BLONDE ASH

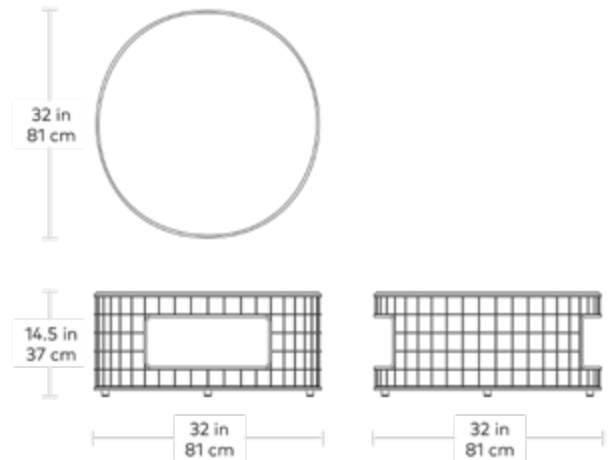
Seat Height 13.5 in | 175 cm



Wireframe Coffee Table



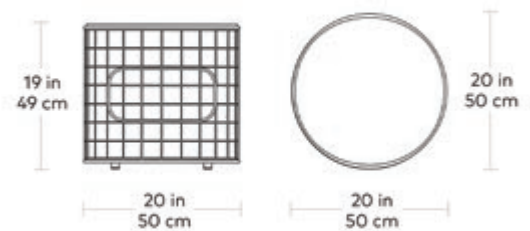
WALNUT
/BLACK



Wireframe End Table



WALNUT
/BLACK



All of our In-Stock Solutions can be customized to suit the size and finish requirements of your project. Minimum quantities may apply to custom orders. Please visit gusdesigngroup.com to preview all current In-Stock finish options or to request physical swatch samples. Contact us for more information about In-Stock and COM Solutions.

Tables

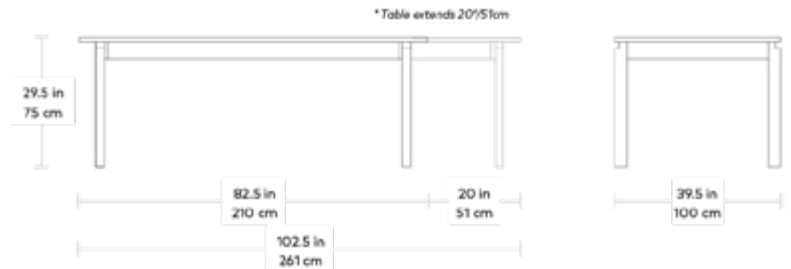
CATEGORY
IN-STOCK & COM

Annex Extendable Dining Table



WALNUT

WHITE OAK

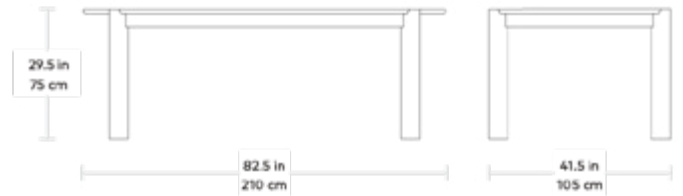


Bancroft Dining Table



WALNUT

WHITE OAK



Plank Dining Table



WALNUT

WHITE WASH
ASH

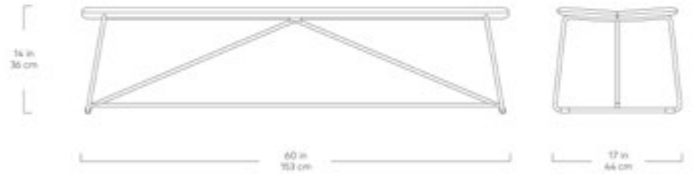
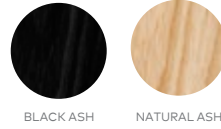


All of our In-Stock Solutions can be customized to suit the size and finish requirements of your project. Minimum quantities may apply to custom orders. Please visit gusdesigngroup.com to preview all current In-Stock finish options or to request physical swatch samples. Contact us for more information about In-Stock and COM Solutions.

Seating

CATEGORY
IN-STOCK & COM

Aero Bench



Aero Dining Stool



All of our In-Stock Solutions can be customized to suit the size and finish requirements of your project. Minimum quantities may apply to custom orders. Please visit gusdesigngroup.com to preview all current In-Stock finish options or to request physical swatch samples. Contact us for more information about In-Stock and COM Solutions.

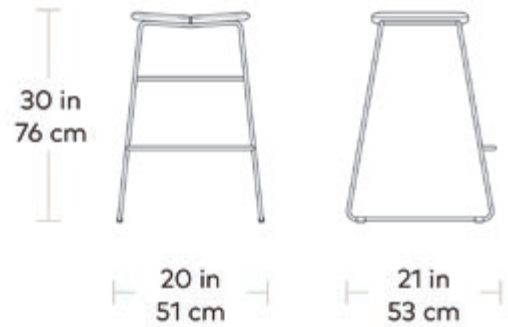
Seating

CATEGORY
IN-STOCK & COM

Aero Counter Stool



Aero Bar Stool



All of our In-Stock Solutions can be customized to suit the size and finish requirements of your project. Minimum quantities may apply to custom orders. Please visit gusdesigngroup.com to preview all current In-Stock finish options or to request physical swatch samples. Contact us for more information about In-Stock and COM Solutions.

Seating

CATEGORY
IN-STOCK & COM

Bracket Dining Chair



SADDLE BROWN
LEATHER
/ BLACK BEECH

SADDLE BLACK
LEATHER
/ BLACK BEECH

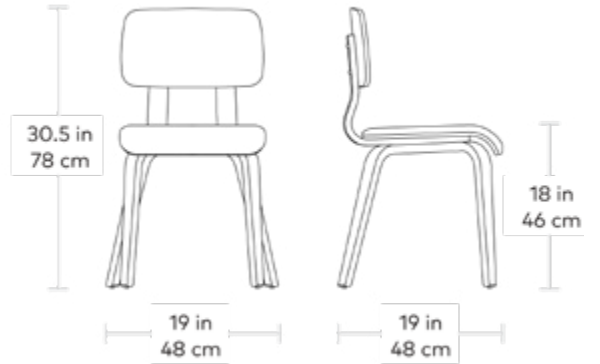


Cardinal Dining Chair



BLONDE ASH
/ MOTO WHITE
LEATHER

WALNUT
/ MOTO BLACK
LEATHER

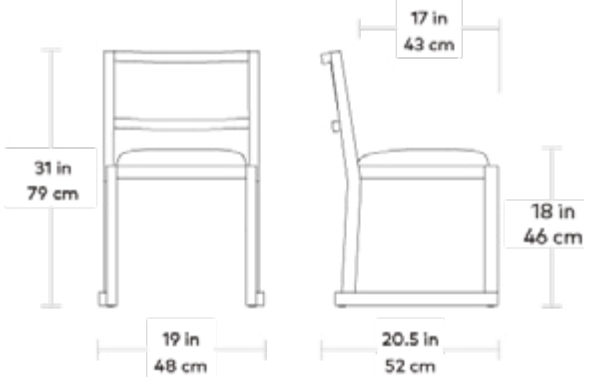


Eglinton Dining Chair



WHITE OAK/
VINYL NOIR

WALNUT/
VINYL NOIR



All of our In-Stock Solutions can be customized to suit the size and finish requirements of your project. Minimum quantities may apply to custom orders. Please visit gusdesigngroup.com to preview all current In-Stock finish options or to request physical swatch samples. Contact us for more information about In-Stock and COM Solutions.

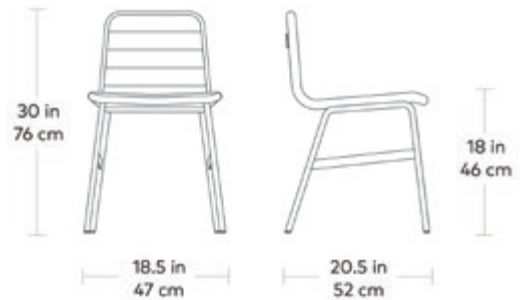
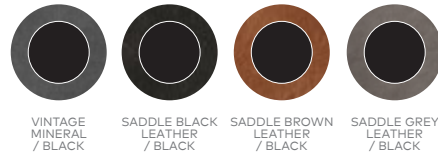
Seating

CATEGORY
IN-STOCK & COM

Lecture Chair



Lecture Chair - Upholstered



All of our In-Stock Solutions can be customized to suit the size and finish requirements of your project. Minimum quantities may apply to custom orders. Please visit gusdesigngroup.com to preview all current In-Stock finish options or to request physical swatch samples. Contact us for more information about In-Stock and COM Solutions.

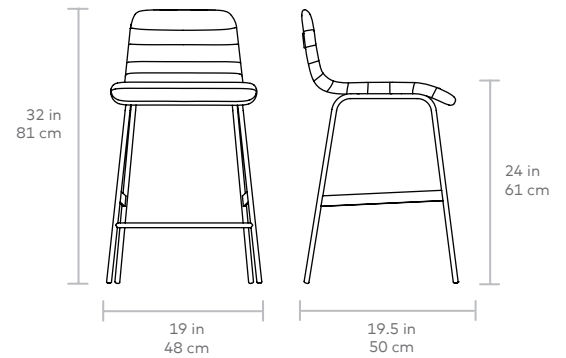
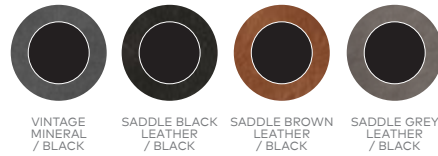
Seating

CATEGORY
IN-STOCK & COM

Lecture Counter Stool



Lecture Counter Stool - Upholstered



All of our In-Stock Solutions can be customized to suit the size and finish requirements of your project. Minimum quantities may apply to custom orders. Please visit gusdesigngroup.com to preview all current In-Stock finish options or to request physical swatch samples. Contact us for more information about In-Stock and COM Solutions.

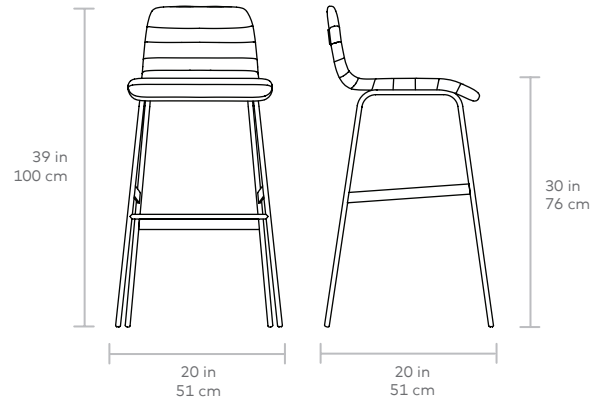
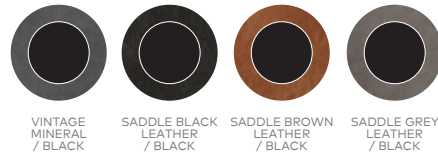
Seating

CATEGORY
IN-STOCK & COM

Lecture Bar Stool



Lecture Bar Stool - Upholstered

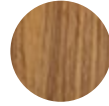


All of our In-Stock Solutions can be customized to suit the size and finish requirements of your project. Minimum quantities may apply to custom orders. Please visit gusdesigngroup.com to preview all current In-Stock finish options or to request physical swatch samples. Contact us for more information about In-Stock and COM Solutions.

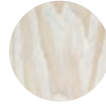
Seating

CATEGORY
IN-STOCK & COM

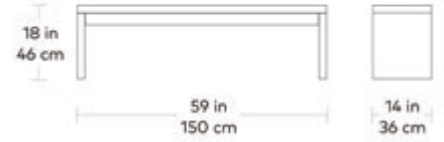
Plank Dining Bench



WALNUT



WHITE WASH
ASH



Ridley Dining Chair



LATTE ASH



BLACK ASH



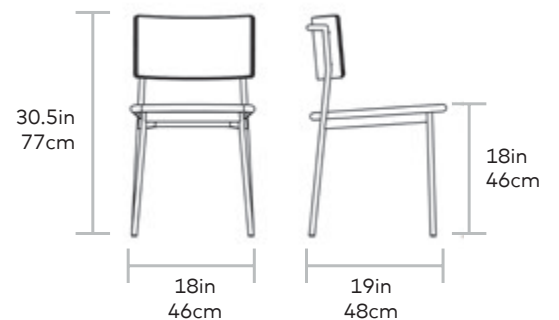
Signal Chair - Upholstered



VINYL HUNTER
GREY/BLACK

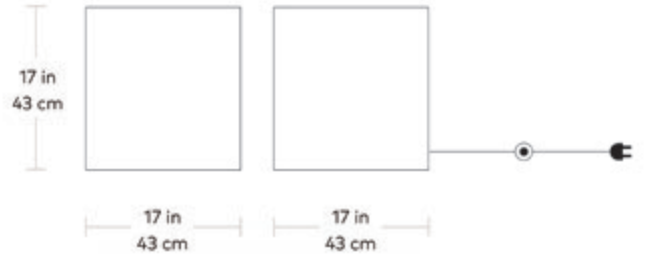


VINYL PUTTY
/WHITE

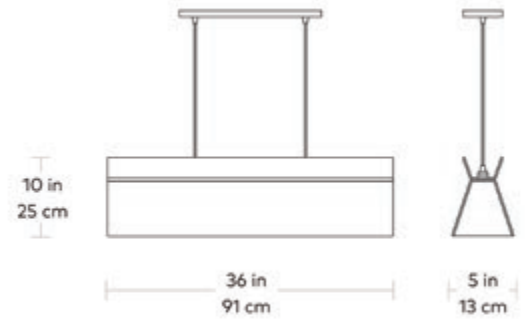
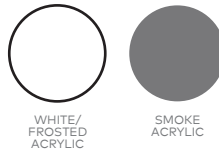


All of our In-Stock Solutions can be customized to suit the size and finish requirements of your project. Minimum quantities may apply to custom orders. Please visit gusdesigngroup.com to preview all current In-Stock finish options or to request physical swatch samples. Contact us for more information about In-Stock and COM Solutions.

Lightbox 2



Lido Pendant

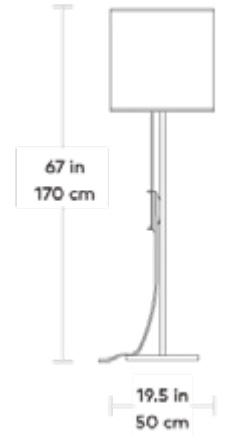


All of our In-Stock Solutions can be customized to suit the size and finish requirements of your project. Minimum quantities may apply to custom orders. Please visit gusdesigngroup.com to preview all current In-Stock finish options or to request physical swatch samples. Contact us for more information about In-Stock and COM Solutions.

Milton Floor Lamp



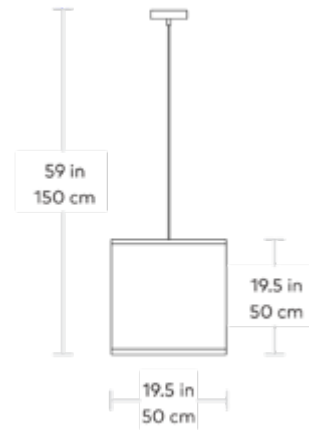
NATURAL
ASH VENEER



Milton Large Pendant Light



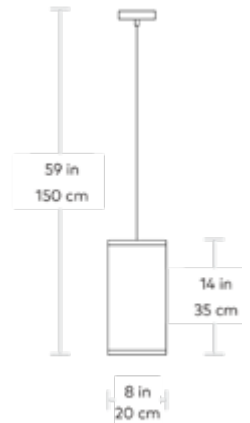
NATURAL
ASH VENEER



Milton Small Pendant Light



NATURAL
ASH VENEER



All of our In-Stock Solutions can be customized to suit the size and finish requirements of your project. Minimum quantities may apply to custom orders. Please visit gusdesigngroup.com to preview all current In-Stock finish options or to request physical swatch samples. Contact us for more information about In-Stock and COM Solutions.

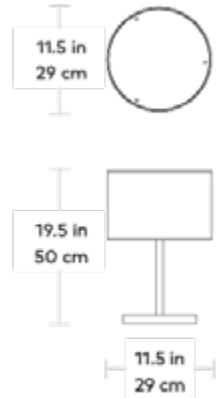
Lighting

CATEGORY
IN-STOCK & COM

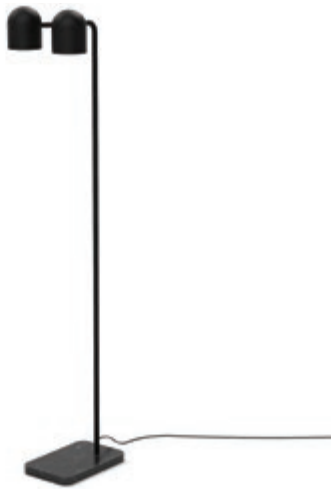
Milton Table Lamp



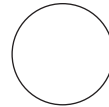
NATURAL
ASH VENEER



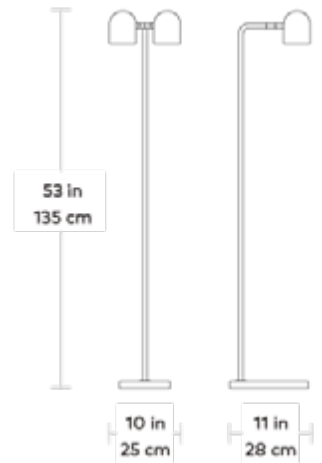
Tandem Floor Lamp



BLACK/NERO
MARBLE



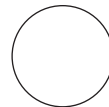
WHITE/BIANCA
MARBLE



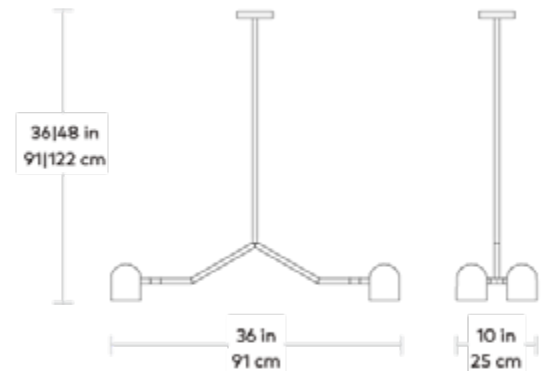
Tandem 4-Head Pendant Light



BLACK



WHITE



All of our In-Stock Solutions can be customized to suit the size and finish requirements of your project. Minimum quantities may apply to custom orders. Please visit gusdesigngroup.com to preview all current In-Stock finish options or to request physical swatch samples. Contact us for more information about In-Stock and COM Solutions.

Lighting

CATEGORY
IN-STOCK & COM

Tandem Swing Arm Lamp



BLACK

WHITE

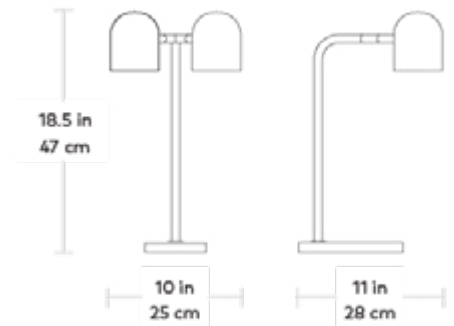


Tandem Table Lamp



BLACK/NERO
MARBLE

WHITE/BIANCA
MARBLE



All of our In-Stock Solutions can be customized to suit the size and finish requirements of your project. Minimum quantities may apply to custom orders. Please visit gusdesigngroup.com to preview all current In-Stock finish options or to request physical swatch samples. Contact us for more information about In-Stock and COM Solutions.

Rugs

CATEGORY
IN-STOCK & COM

Avro Rug



CHARCOAL



OATMEAL



LILAC



AVAILABLE SIZES: 5 x 8, 8 x 10

Bala Rug



RAVEN



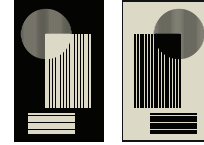
SOLEIL



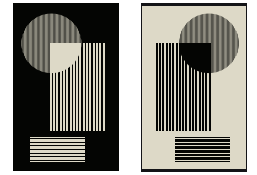
AVAILABLE SIZES: 5 x 8, 8 x 10

All of our In-Stock Solutions can be customized to suit the size and finish requirements of your project. Minimum quantities may apply to custom orders. Please visit gusdesigngroup.com to preview all current In-Stock finish options or to request physical swatch samples. Contact us for more information about In-Stock and COM Solutions.

Construct Rug



5x8



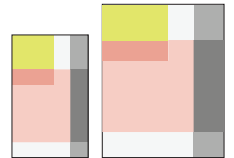
8x10



Element Rug



ROSE



TOFINO



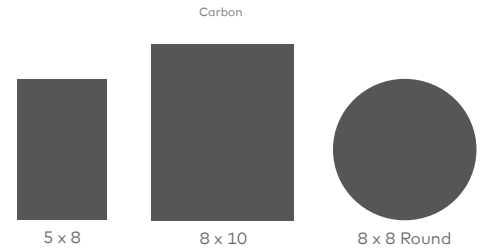
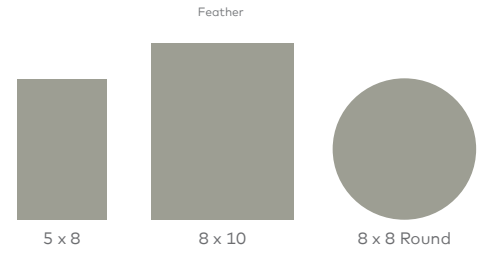
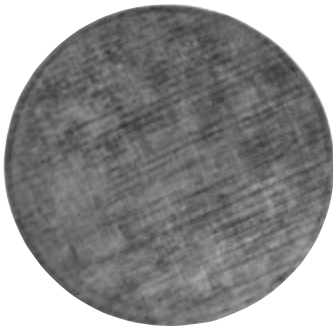
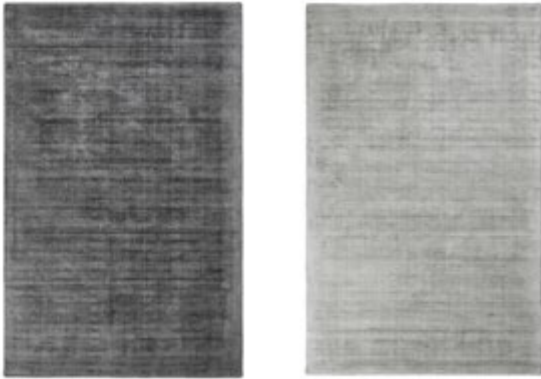
AVAILABLE SIZES: 5 x 8, 8 x 10

All of our In-Stock Solutions can be customized to suit the size and finish requirements of your project. Minimum quantities may apply to custom orders. Please visit gusdesigngroup.com to preview all current In-Stock finish options or to request physical swatch samples. Contact us for more information about In-Stock and COM Solutions.

Rugs

CATEGORY
IN-STOCK & COM

Fumo Rug

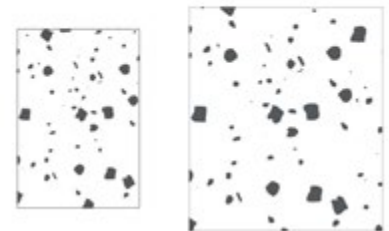
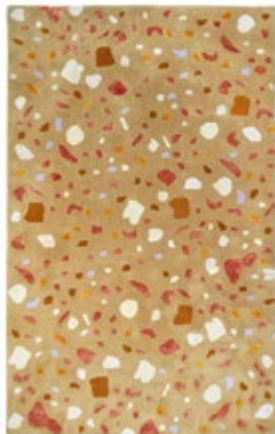


Terraz Rug

Crema



Mocha



AVAILABLE SIZES: 5 x 8, 8 x 10

All of our In-Stock Solutions can be customized to suit the size and finish requirements of your project. Minimum quantities may apply to custom orders. Please visit gusdesigngroup.com to preview all current In-Stock finish options or to request physical swatch samples. Contact us for more information about In-Stock and COM Solutions.

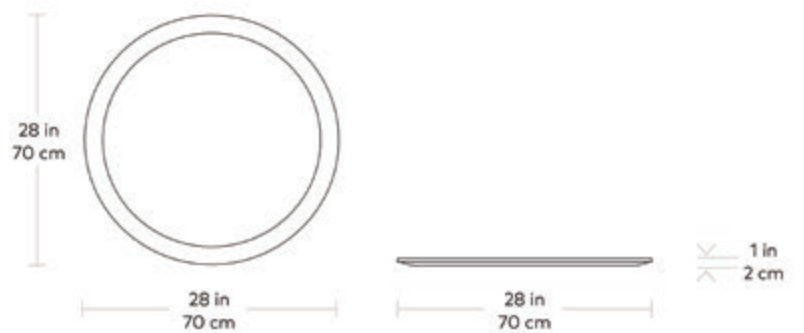
Fruit Trough



Picture Rail



Gallery Tray

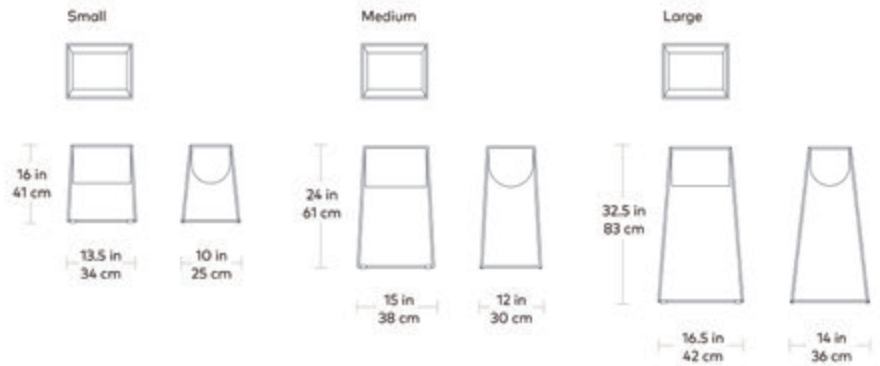


All of our In-Stock Solutions can be customized to suit the size and finish requirements of your project. Minimum quantities may apply to custom orders. Please visit gusdesigngroup.com to preview all current In-Stock finish options or to request physical swatch samples. Contact us for more information about In-Stock and COM Solutions.

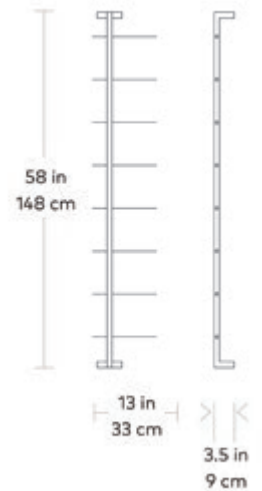
Accessories

CATEGORY
IN-STOCK & COM

Modello Planters (Set of 3)



Magazine Rack



All of our In-Stock Solutions can be customized to suit the size and finish requirements of your project. Minimum quantities may apply to custom orders. Please visit gusdesigngroup.com to preview all current In-Stock finish options or to request physical swatch samples. Contact us for more information about In-Stock and COM Solutions.

Upholstery

CATEGORY
COM SOLUTIONS

Our COM upholstery program provides a way to customize our proven seating designs with your own coverings, to create furnishings that embody your client's unique personality and fulfill their brand vision.



All of our Custom Solutions can be easily modified from what is shown here, to meet the specific size, color, and finish requirements of your project. Please contact your Gus* CONTRACT sales representative for more information or to request a quote.

We have extensive capabilities for storage and table solutions in a variety of contemporary styles and materials. From boardroom tables to cabinets, we can tailor our designs to work for your requirements, with details to make your project stand out.



All of our Custom Solutions can be easily modified from what is shown here, to meet the specific size, color, and finish requirements of your project. Please contact your Gus* CONTRACT sales representative for more information or to request a quote.

Banquettes

CATEGORY
CUSTOM SOLUTIONS

We offer a range of designs and finish options for modern banquette seating, suitable for hospitality areas, lounges or breakout spaces. Designs can be customized to suit your project's specific requirements.



All of our Custom Solutions can be easily modified from what is shown here, to meet the specific size, color, and finish requirements of your project. Please contact your Gus* CONTRACT sales representative for more information or to request a quote.