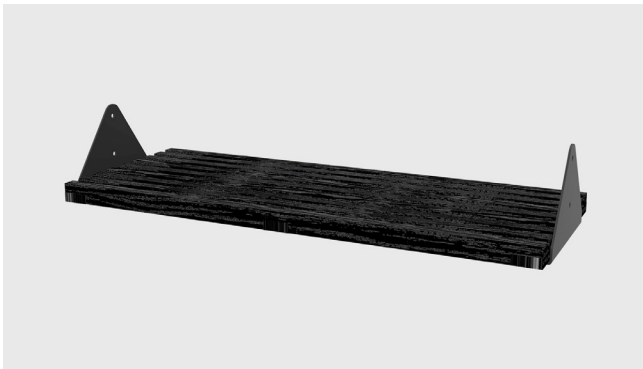
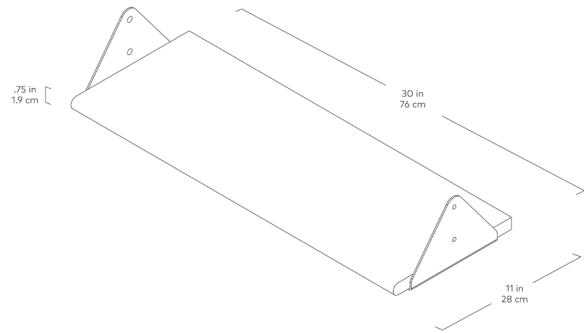


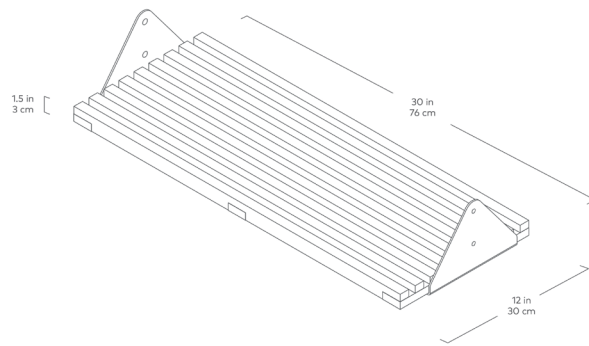
Branch Accessories



Branch Shelf

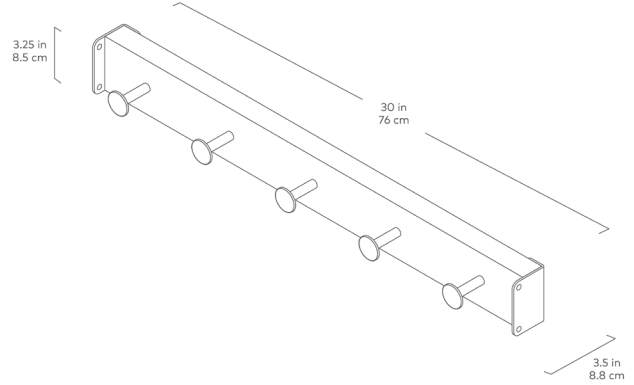


Branch Slatted Shelf

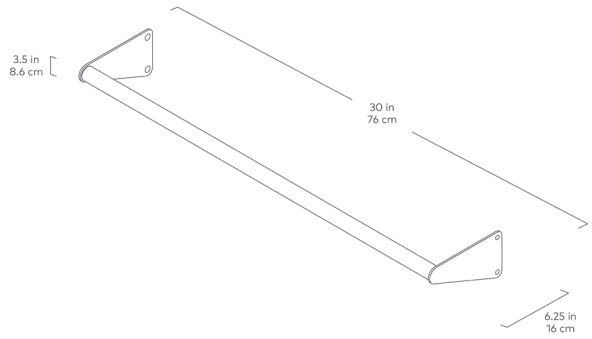


- Uprights are solid, FSC®-Certified Ash (FSC® 092551).
- Powder-coated steel brackets.
- Shelves are height-adjustable.
- Solid wood bullnose edge detail on shelves and desk.
- Actual Depth of Desk shelf is 20".
- Actual depth of Shelf is 11".
- Components can be adjusted vertically in 2.5" increments.
- Max. weight per shelf/desk is 50lbs. Max weight per bay is 250lbs.
- Desk module is comprised of 2 shelves and 1 desk shelf.
- Suitable for residential or office spaces.
- Assembly required. All hardware and instructions provided.
- CARB Phase II, ANSI-BIFMA, and TSCA Title VI Compliant.
- Wood is a natural material, with variations in grain pattern and colour that make each design unique.

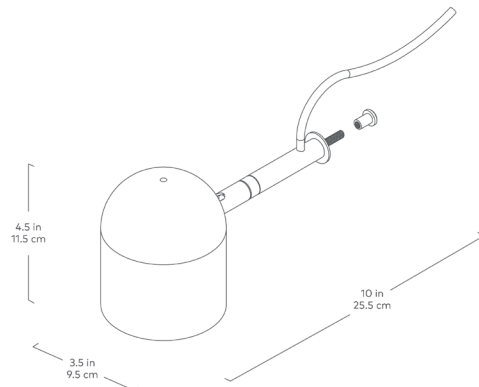
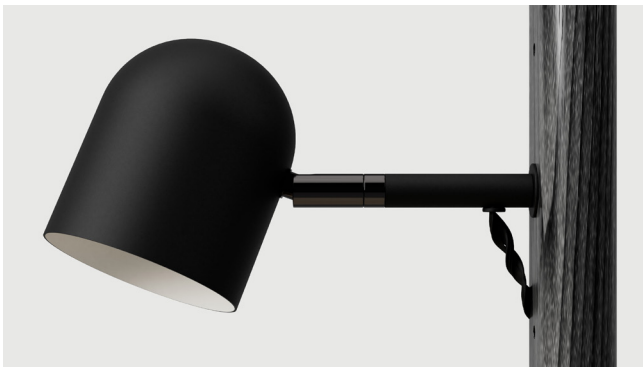
Branch Accessories



Branch Hook Rail

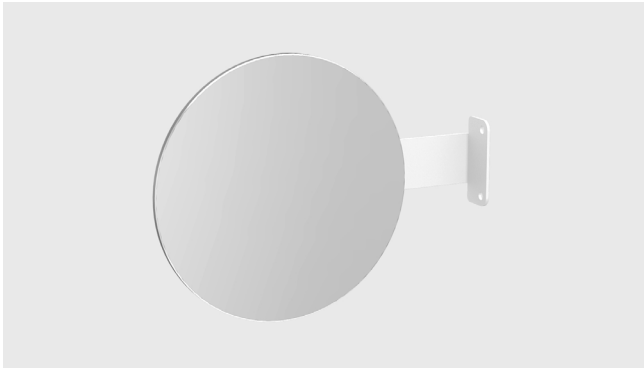


Branch Hangbar

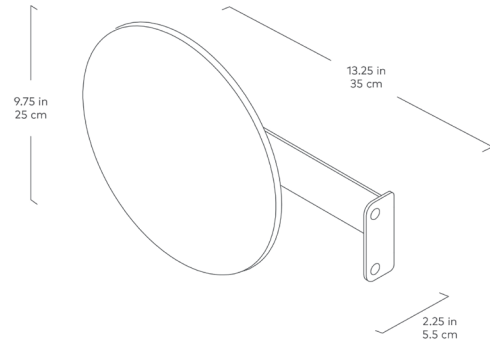


Branch Task Lamp

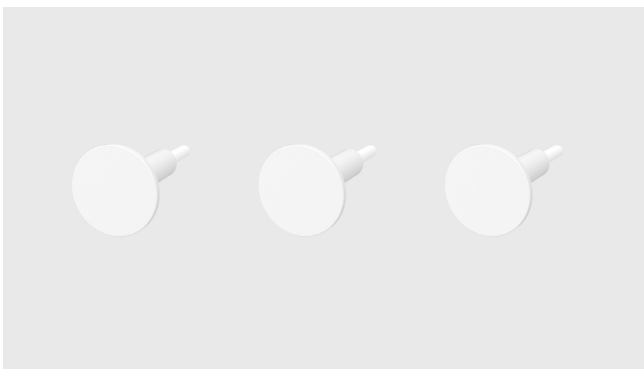
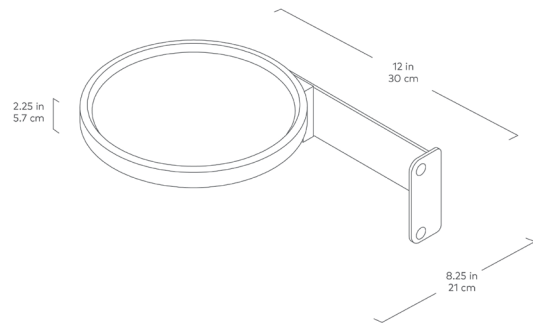
Branch Accessories



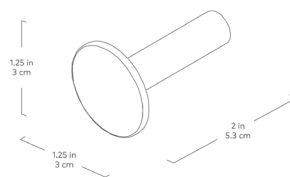
Branch Side Mirror



Branch Side Tray



Branch Hooks



Side Hooks includes 3 Hooks

