

Aero Bench



Black
Ash

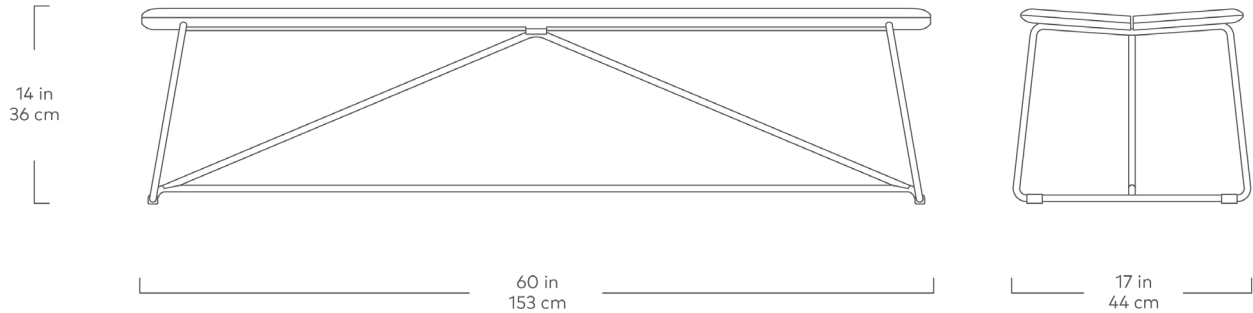


Natural
Ash

Taking cues from contemporary Scandinavian design, the Aero Bench features a gently rounded chamfered seat made from two perfectly balanced pieces of solid FSC®-certified Ash wood set atop an airy, curved metal frame. The solid steel frame is strong while visually lightweight to balance out the substantial wood seat and would be the perfect addition to an entryway or at the end of a bed. Choose from two essential shades that will breathe life into your decor. Also available as a Counter Stool, Bar Stool, and Dining Stool.

Design Trade Professionals: We aim to keep our designs in stock and ready to ship quickly for projects on a tight timeline. Designs may be customized with COM and alternate finishes (minimum quantities may apply). Visit gusmodern.com for more information about our Trade & Contract programs.

Aero Bench



- Natural grain of wood on seat is highlighted by a wire brush texture treatment (Black Ash only).
- Seat is solid FSC®-Certified ash in support of responsible forest management (FSC® 092551).
- Clear coat finish on seat.
- Powder-coated curved frame is bench-made from solid, round steel.
- Clip-on, non-marking plastic glides on base to protect hardwood floors.
- Wood is a natural material, with variations in grain pattern and colour that make each design unique.

