

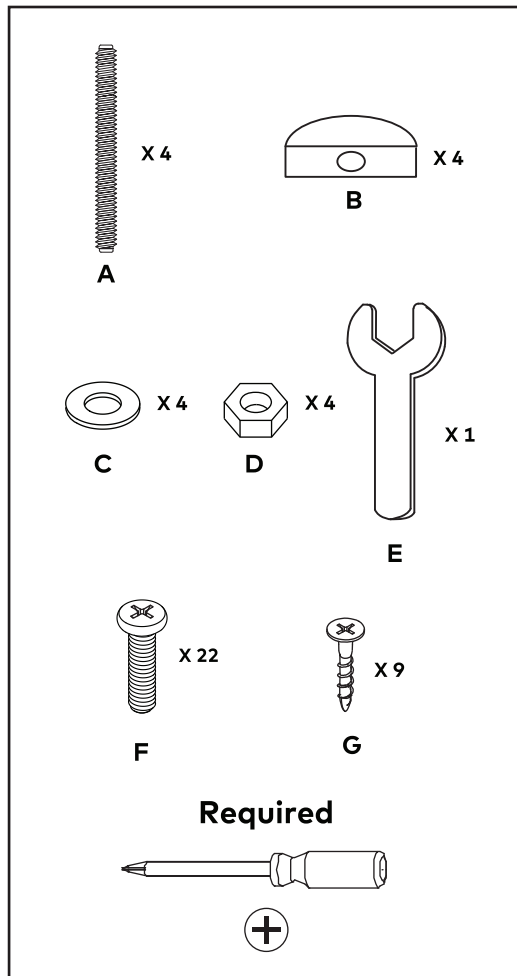
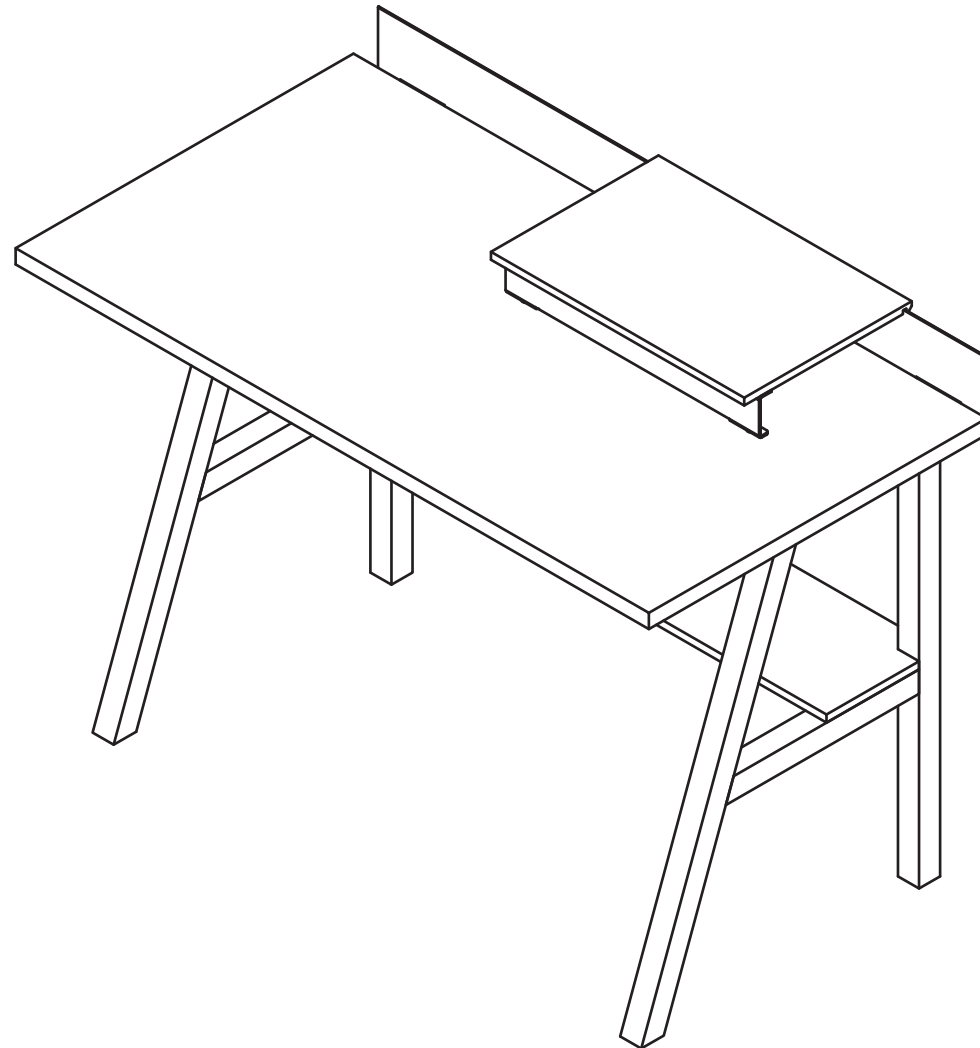
Truscott Desk

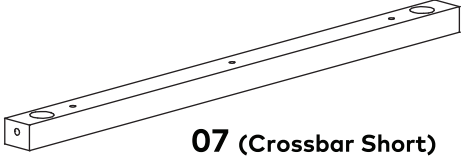
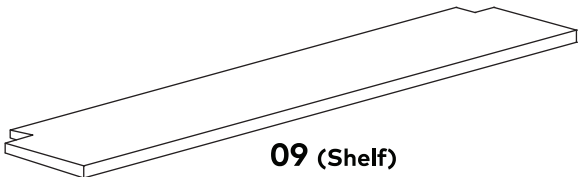
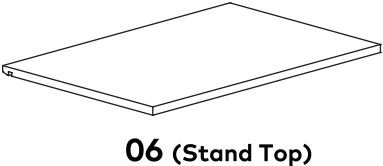
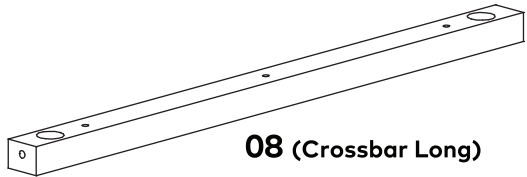
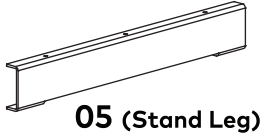
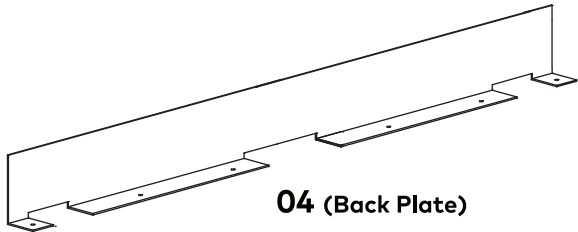
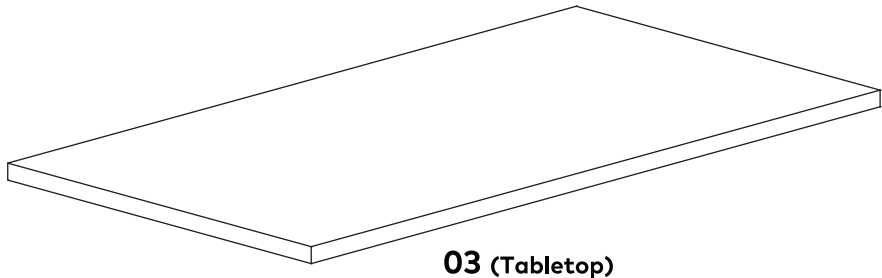
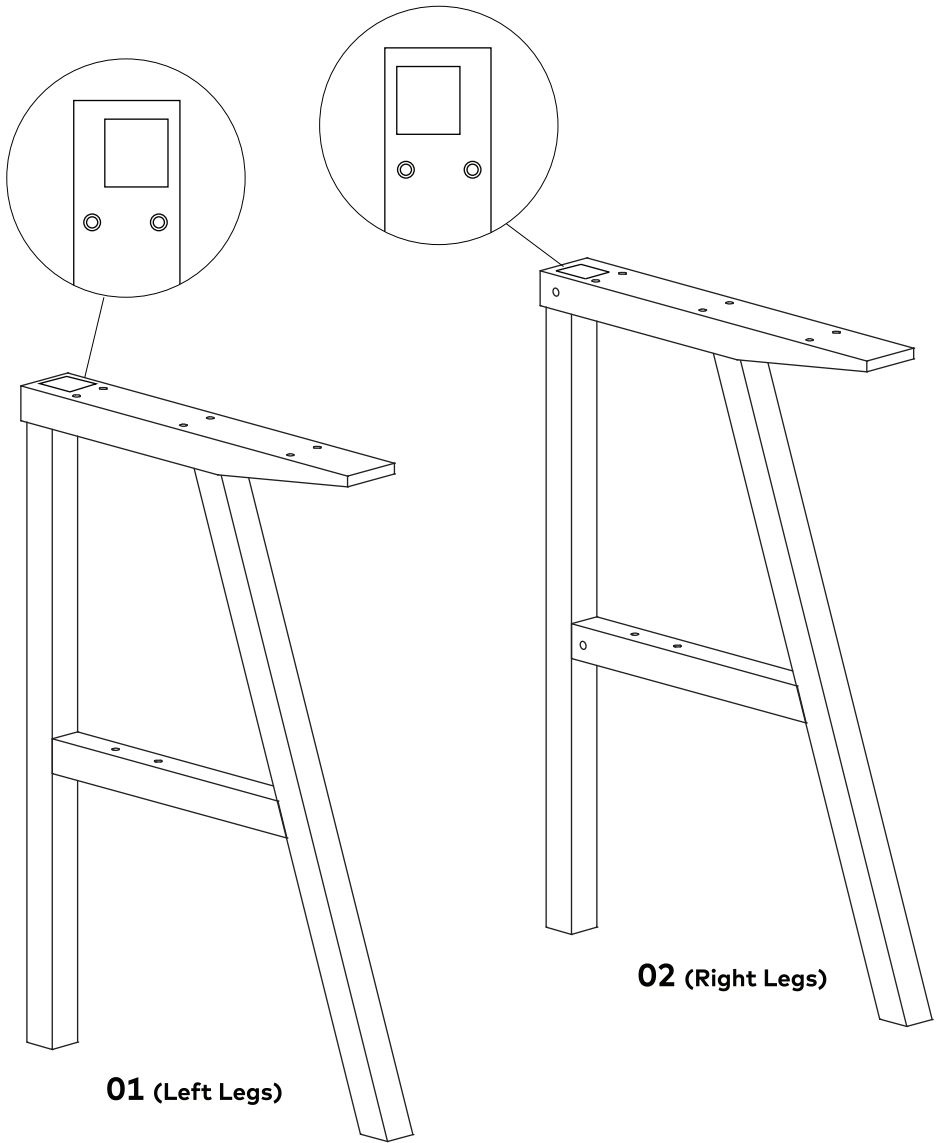
ASSEMBLY INSTRUCTIONS

KEEP ALL PACKAGING MATERIALS UNTIL YOU HAVE VERIFIED ALL COMPONENTS AND PARTS.

We recommend assembling the desk with two people.

DEPENDING ON USE, IT MAY BE NECESSARY TO TIGHTEN THE SCREWS PERIODICALLY TO MAXIMIZE THE STABILITY OF THE DESK.

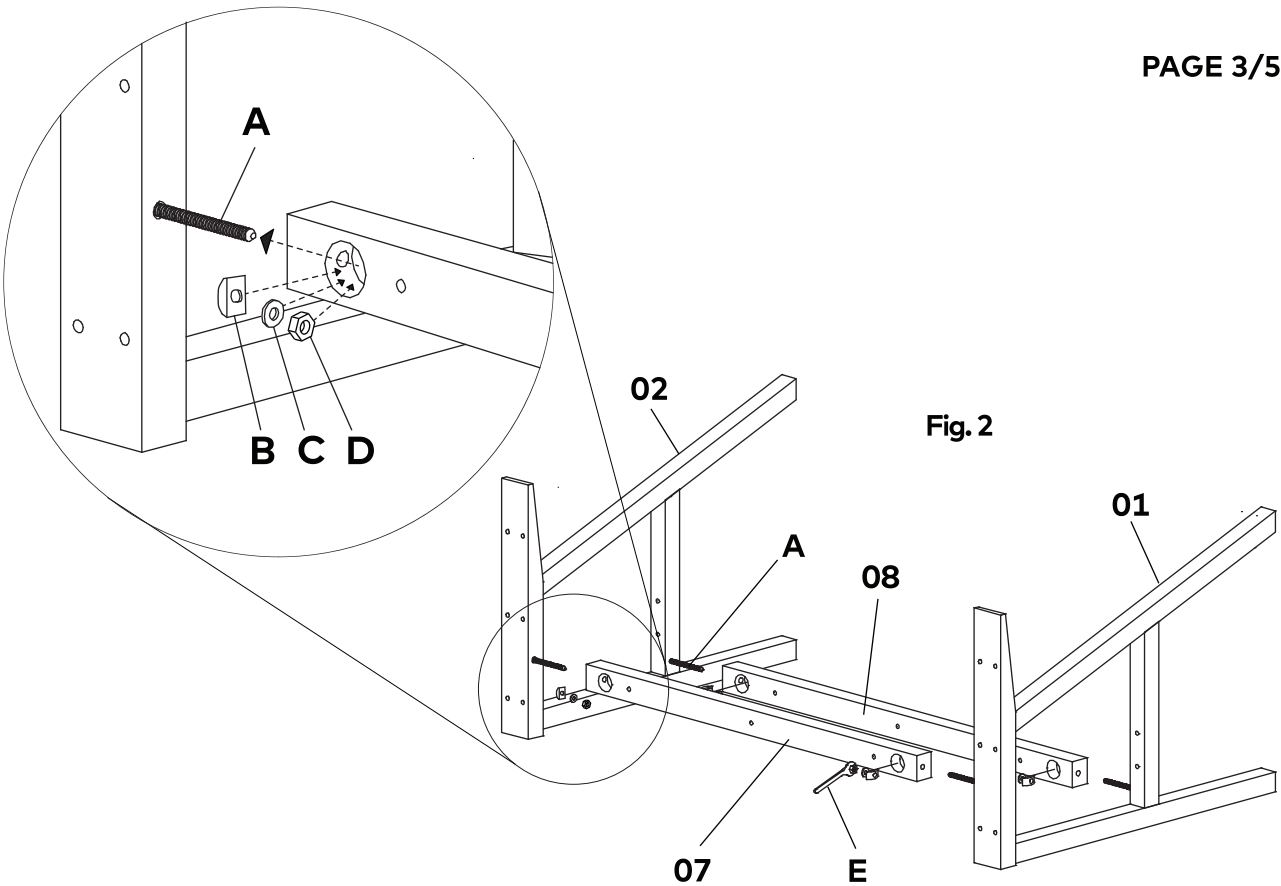




Step 1

CROSSBAR INSTALLATION

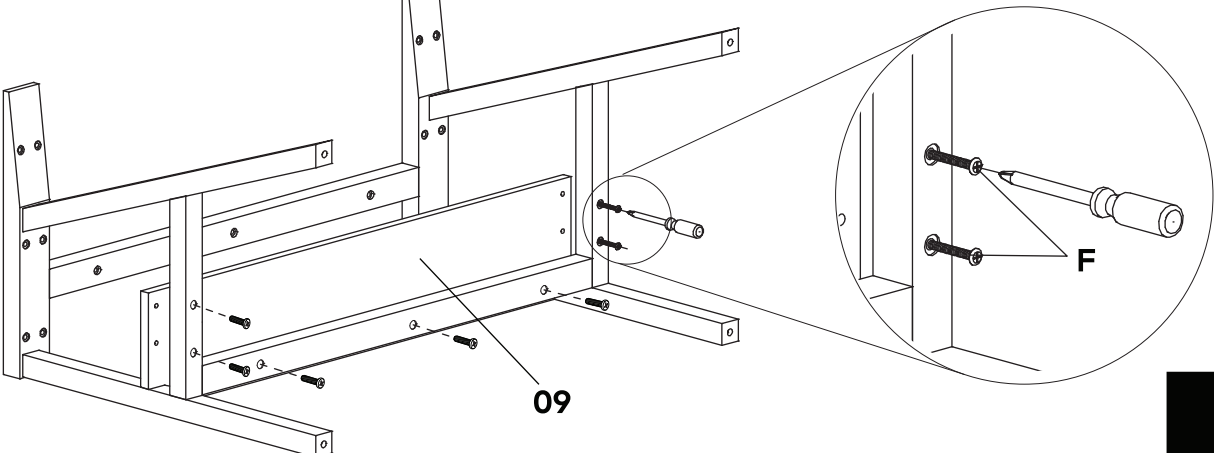
1. Insert 4 threaded rods (**A**) into the 2 threaded inserts on the left leg (**01**) and right leg (**02**).
2. Put crossbars in place as per **Fig. 2**. Ensure the holes in crossbars (**07**) and (**08**) are facing upwards before installation.
3. Put the threaded insert (**A**) into the hole found at the end of each crossbar. Attach crossbars to the left leg and right leg by using the provided hardware (**B**) (**C**) (**D**) in the order and location as shown. Tighten (**D**) with wrench (**E**).



Step 2

SHELF INSTALLATION

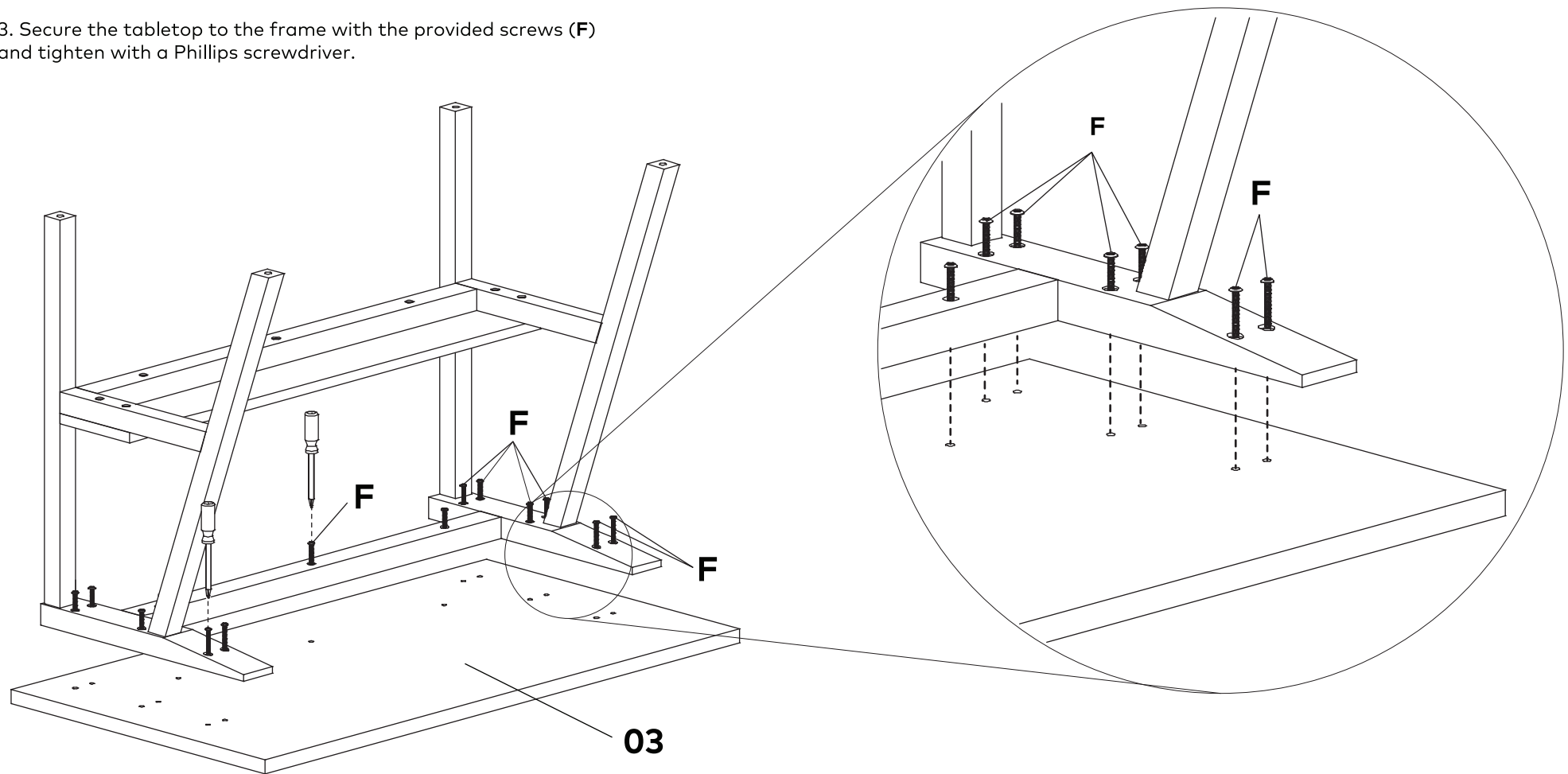
1. Attach the shelf (**09**) to the crossbar on lower part of the frame using provided screws (**F**) and a Phillips screwdriver.



Step 3

TABLETOP INSTALLATION

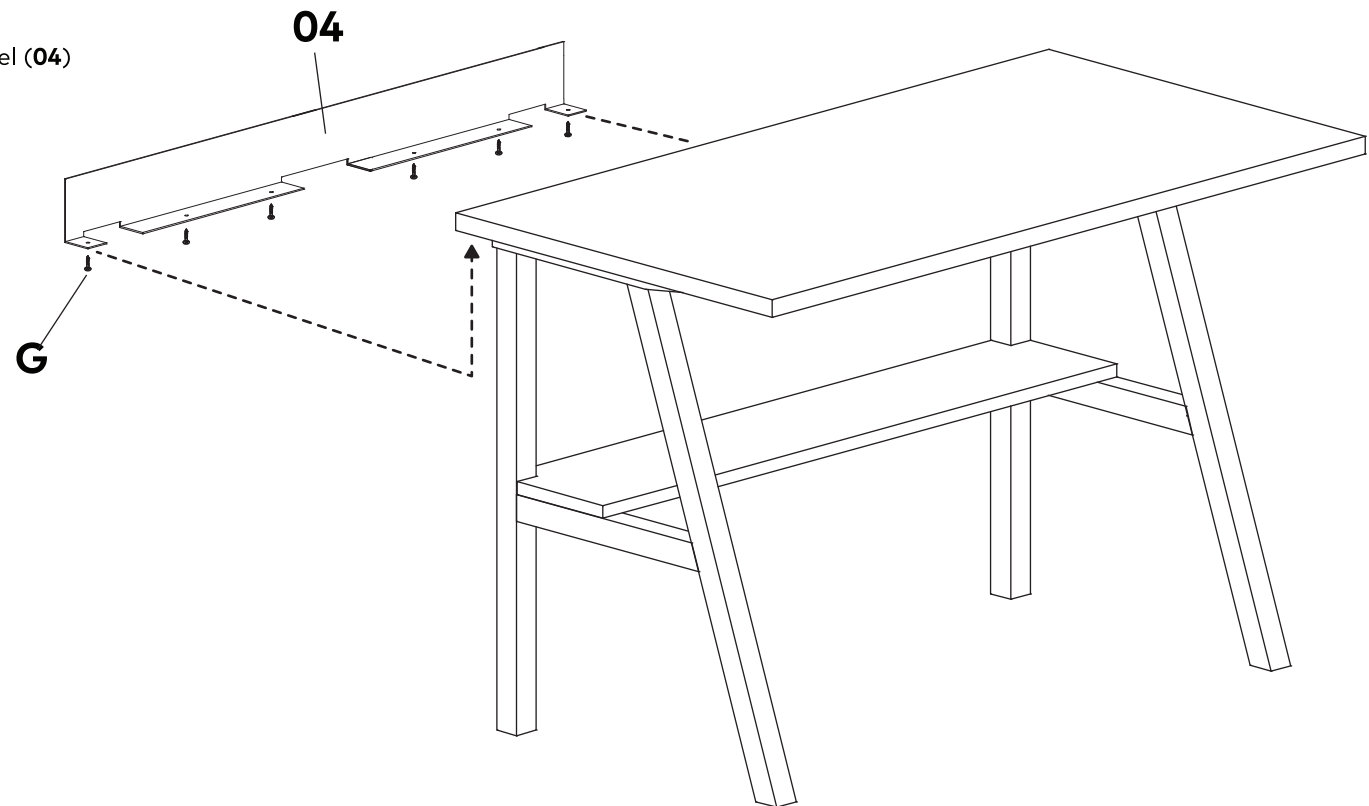
1. Place tabletop (3) upside down on a clean, flat surface.
2. Gently place assembled base on the underside of the tabletop. Align holes of the tabletop and the base as shown.
3. Secure the tabletop to the frame with the provided screws (F) and tighten with a Phillips screwdriver.



Step 4

BACK PANEL INSTALLATION

1. Align the holes in the bottom of the back panel (04) to the holes on the underside of the back of the desk, and attach with provided screws (G).



Step 5

MONITOR STAND ASSEMBLY

1. Place stand top (06) upside down on a clean, flat surface. You will find a thin channel on the underside.

2. Align the three holes on the leg stand to the three holes on the underside of the tabletop.

3. Attach stand leg (05) to the stand top (06) as shown with the provided screws (G) and a provided Phillips screwdriver.

