

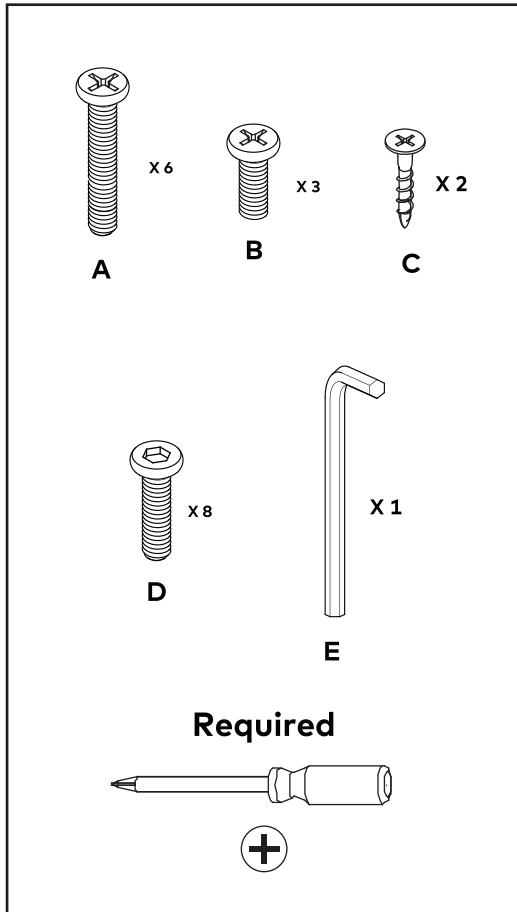
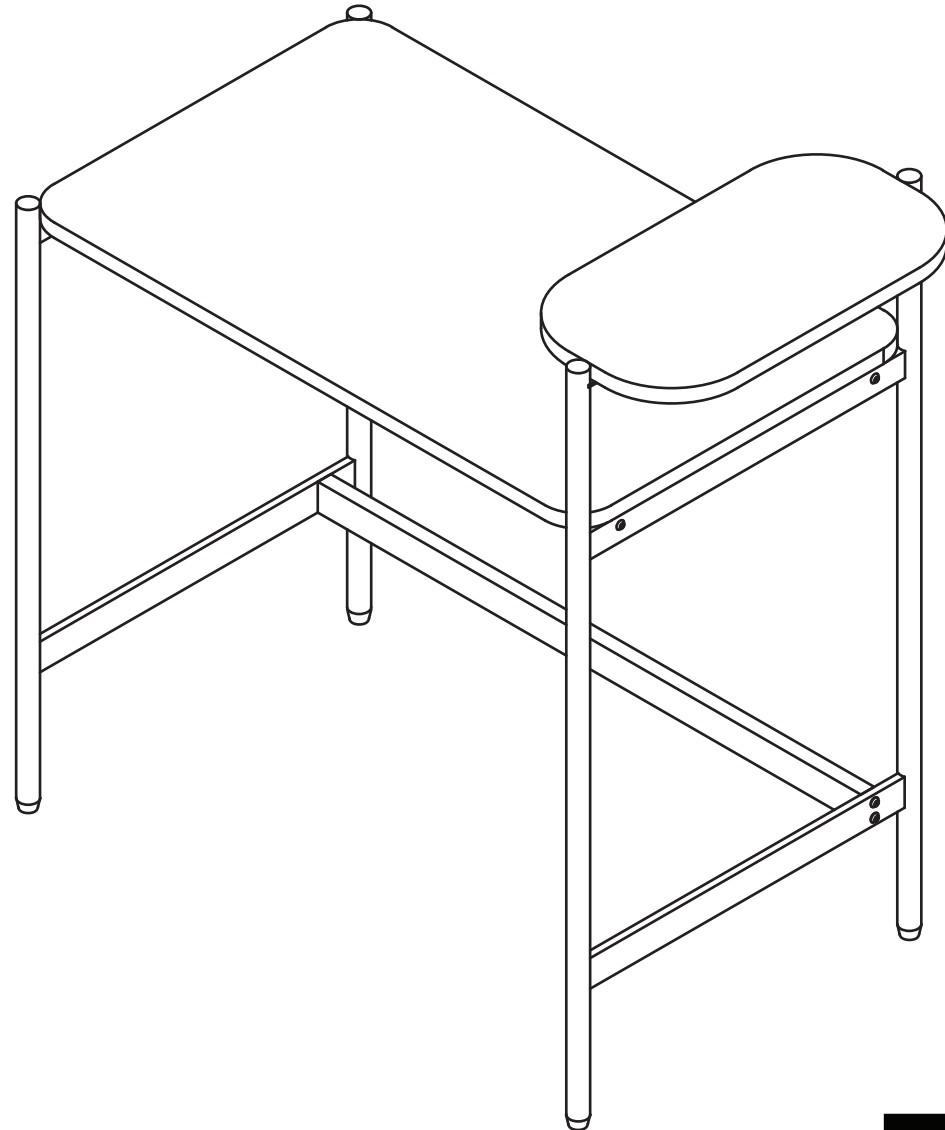
Loft Sit-Stand Desk

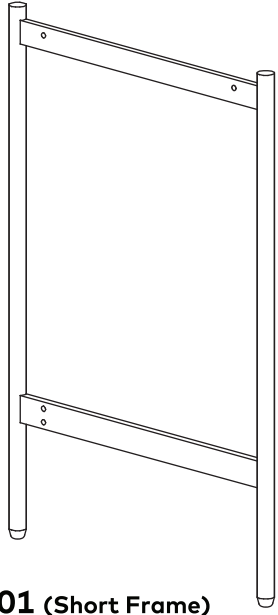
ASSEMBLY INSTRUCTIONS

KEEP ALL PACKAGING MATERIALS UNTIL YOU HAVE VERIFIED ALL COMPONENTS AND PARTS.

We recommend assembling the desk with two people.

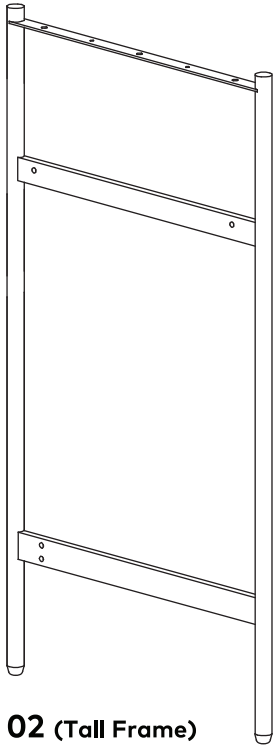
DEPENDING ON USE, IT MAY BE NECESSARY TO TIGHTEN THE SCREWS PERIODICALLY TO MAXIMIZE THE STABILITY OF THE DESK.





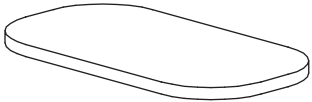
01 (Short Frame)

X 1



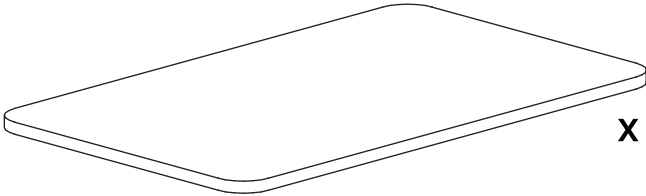
02 (Tall Frame)

X 1



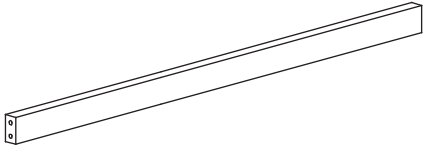
03 (Small top)

X 1



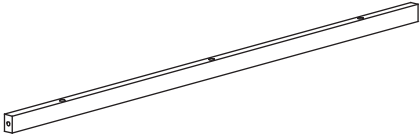
04 (Tabletop)

X 1



06 (Lower Crossbar)

X 1



05 (Upper Crossbar)

X 2

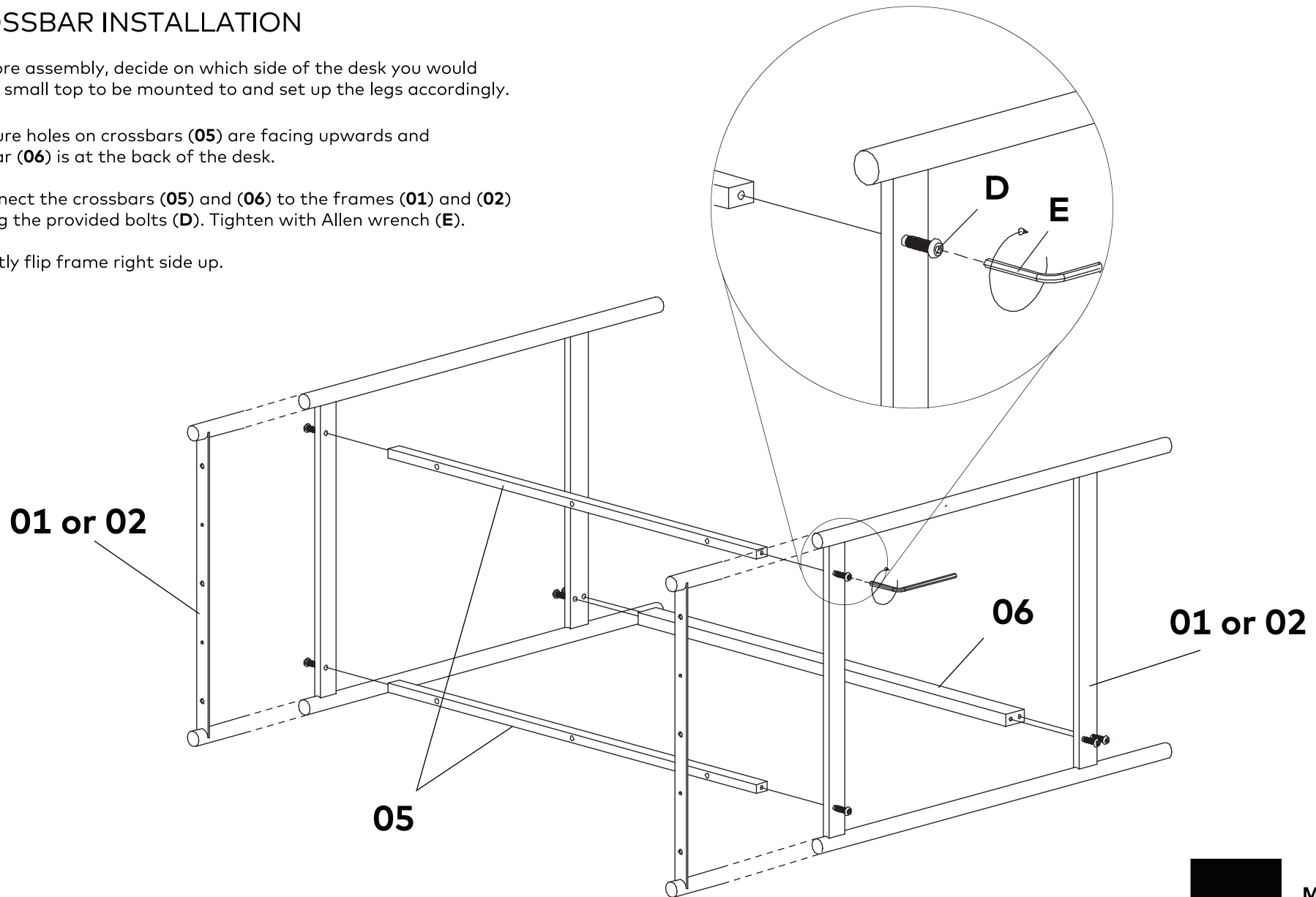


Modern furniture made simple.

Step 1

CROSSBAR INSTALLATION

1. Before assembly, decide on which side of the desk you would like the small top to be mounted to and set up the legs accordingly.
2. Ensure holes on crossbars (**05**) are facing upwards and crossbar (**06**) is at the back of the desk.
3. Connect the crossbars (**05**) and (**06**) to the frames (**01**) and (**02**) by using the provided bolts (**D**). Tighten with Allen wrench (**E**).
4. Gently flip frame right side up.



Modern
furniture
made
simple.

Step 2

TABLETOP INSTALLATION

1. Place tabletop (04) on frame. Be sure to align holes of the frame with the threaded inserts found on the underside of the tabletop.
2. Use provided screws (A) to secure the tabletop to the frame and tighten with a Phillips screwdriver.
3. Repeat step 1 with the small tabletop on the upper rung of frame.
4. Use provided screws (B) and (C) in positions as shown to secure the top to the frame. Tighten hardware with a Phillips screwdriver.

