

Atrium Hi Planter

ASSEMBLY INSTRUCTIONS

KEEP ALL PACKAGING MATERIALS UNTIL YOU HAVE VERIFIED ALL COMPONENTS AND PARTS.

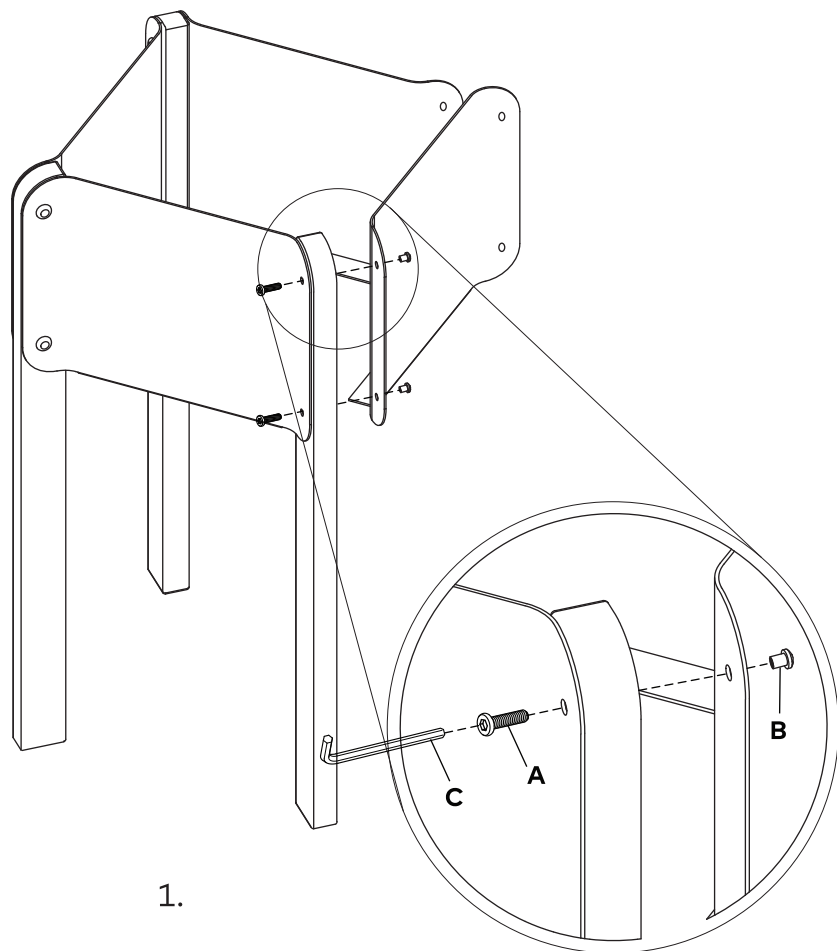
1. Align the holes in the wood legs with the holes in the steel plates, making sure that the metal tab is facing down towards the feet.

2. Use the provided T-nuts and bolts to secure the steel plates to the legs

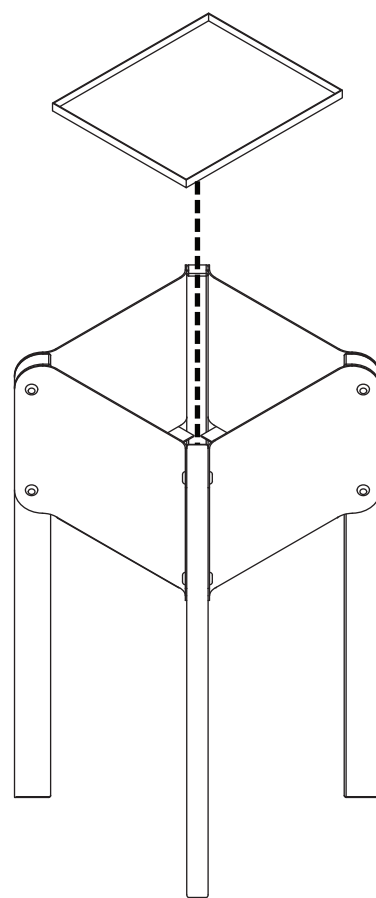
3. Insert the steel tray

Clean all surfaces with a soft, damp cloth. Do not use abrasive cleaning products.

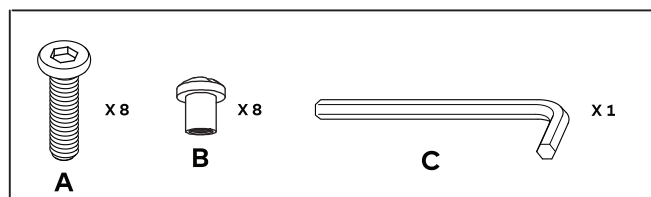
DEPENDING ON USE, IT MAY BE NECESSARY TO TIGHTEN THE FASTENERS PERIODICALLY TO MAXIMIZE THE STABILITY OF THE PLANTER.



1.



2.



Atrium Lo Planter

ASSEMBLY INSTRUCTIONS

KEEP ALL PACKAGING MATERIALS UNTIL YOU HAVE VERIFIED ALL COMPONENTS AND PARTS.

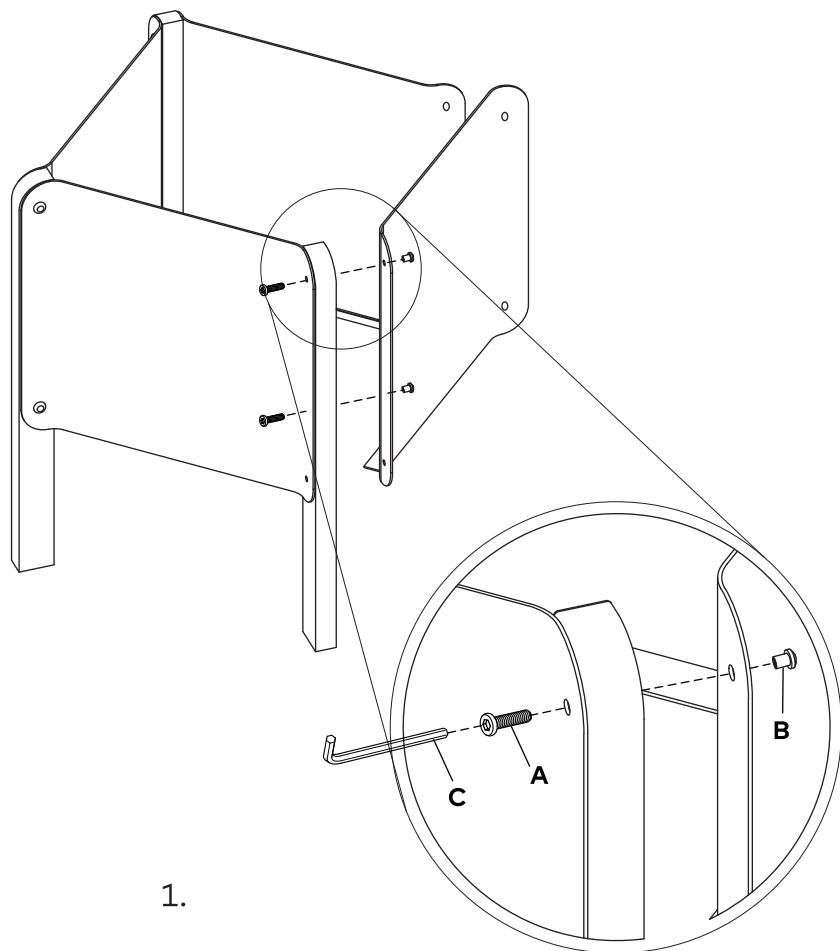
1. Align the holes in the wood legs with the holes in the steel plates, making sure that the metal tab is facing down towards the feet.

2. Use the provided T-nuts and bolts to secure the steel plates to the legs

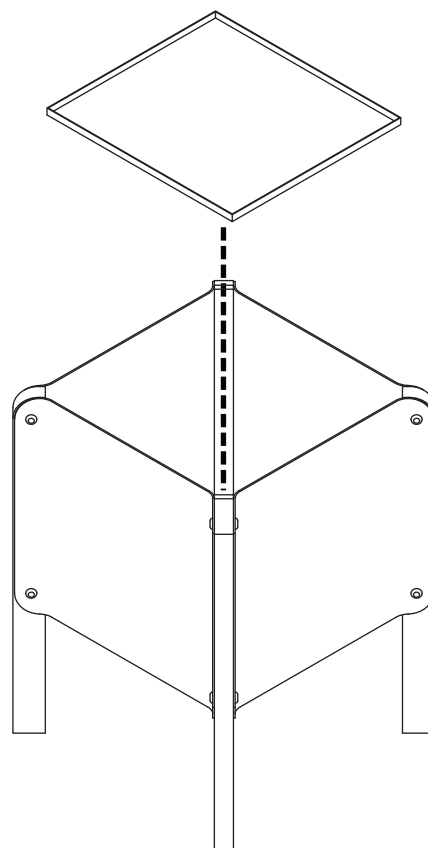
3. Insert the steel tray

Clean all surfaces with a soft, damp cloth. Do not use abrasive cleaning products.

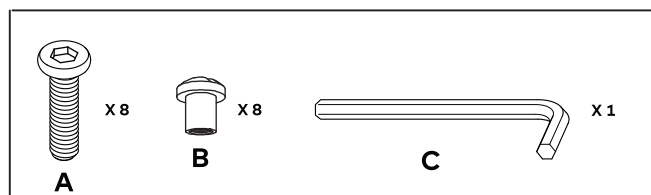
DEPENDING ON USE, IT MAY BE NECESSARY TO TIGHTEN THE FASTENERS PERIODICALLY TO MAXIMIZE THE STABILITY OF THE PLANTER.



1.



2.



Modern
furniture
made
simple.