

Envoy Desk - DOWEL LEG

To maintain the appearance of your desk, we recommend cleaning the wood top and steel frame with a damp, soft cloth.

Do not use abrasive cleaning products.



Modern
furniture
made
simple.

Envoy Surface Table - Dowel Leg

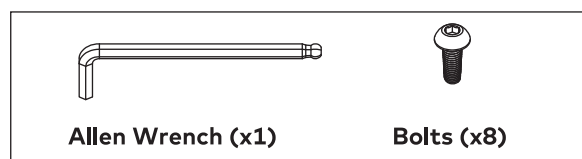
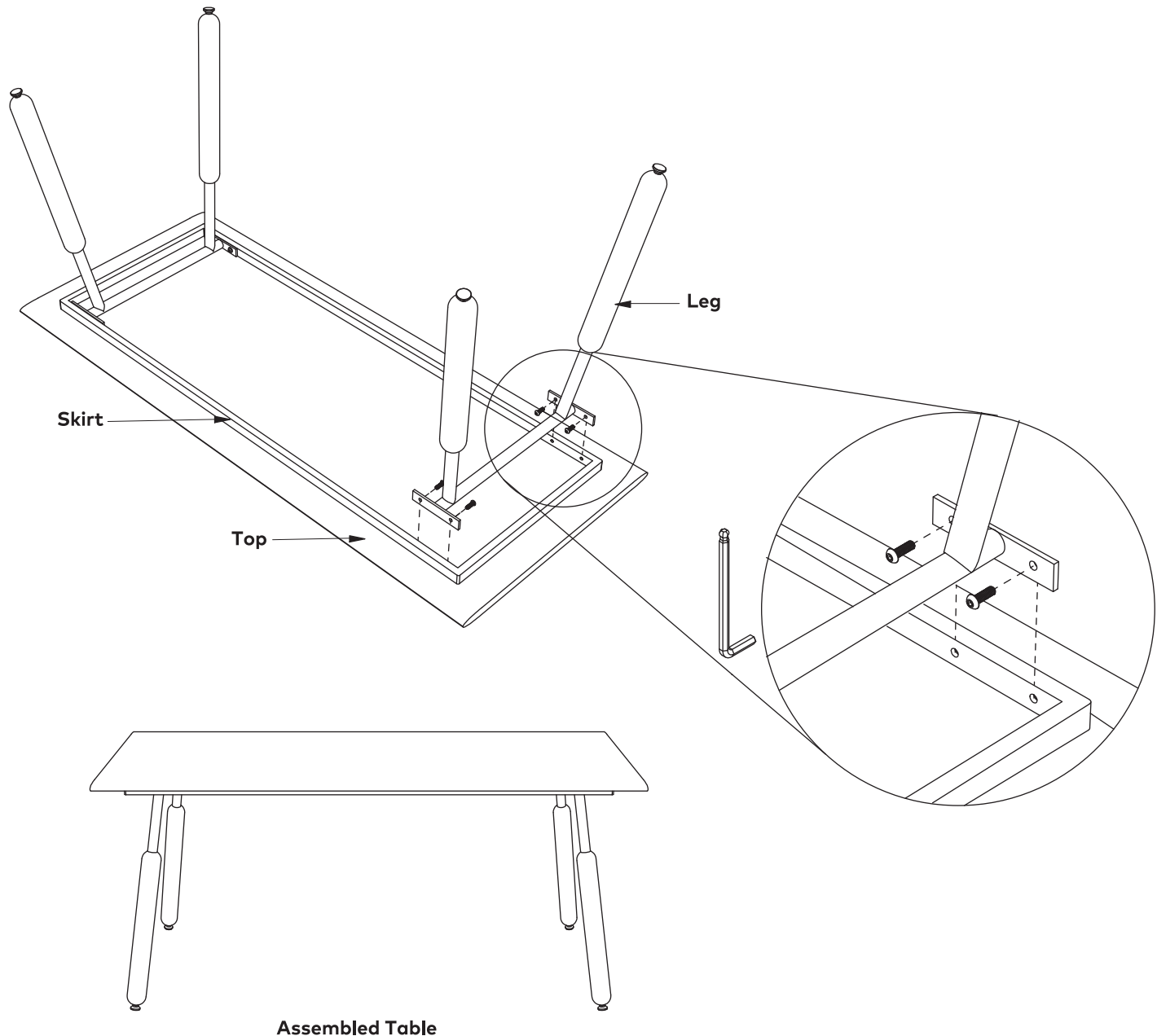
ASSEMBLY INSTRUCTIONS

KEEP ALL PACKAGING MATERIALS UNTIL YOU HAVE VERIFIED ALL COMPONENTS AND PARTS.

1. Place table top upside down on a clean level surface. Attach leg components to skirt with splay outward.
2. Turn assembled table upright and place on floor.

Clean all surfaces with a damp, soft cloth. Do not use abrasive cleaners.

DEPENDING ON USE, IT MAY BE NECESSARY TO TIGHTEN THE SCREWS PERIODICALLY TO MAXIMIZE THE STABILITY OF THE TABLE.

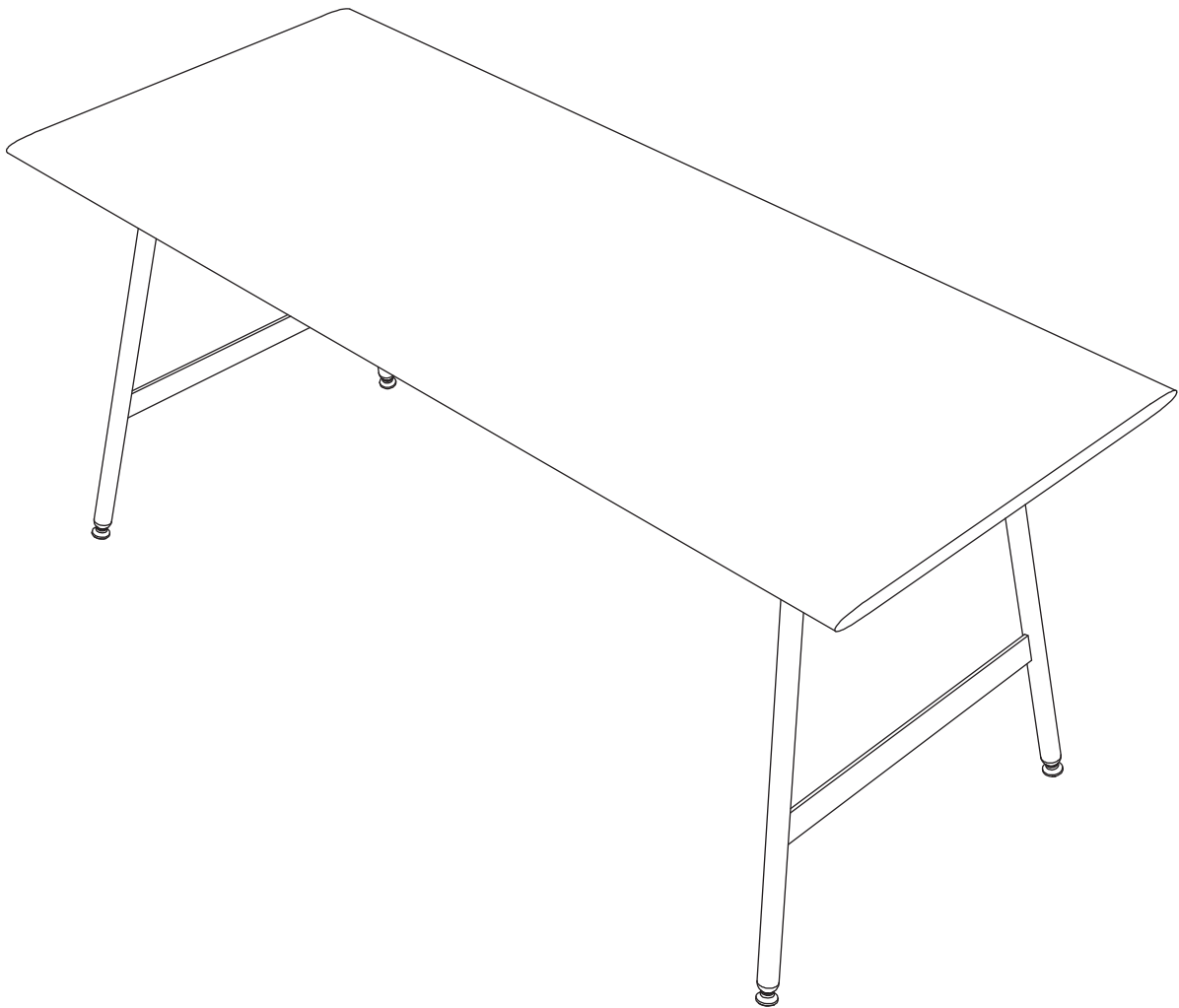


Modern
furniture
made
simple.

Envoy Desk - LECTURE LEG

To maintain the appearance of your desk, we recommend cleaning the wood top and steel frame with a damp, soft cloth.

Do not use abrasive cleaning products.



Gus*

Modern
furniture
made
simple.

Envoy Surface Table - Lecture Leg

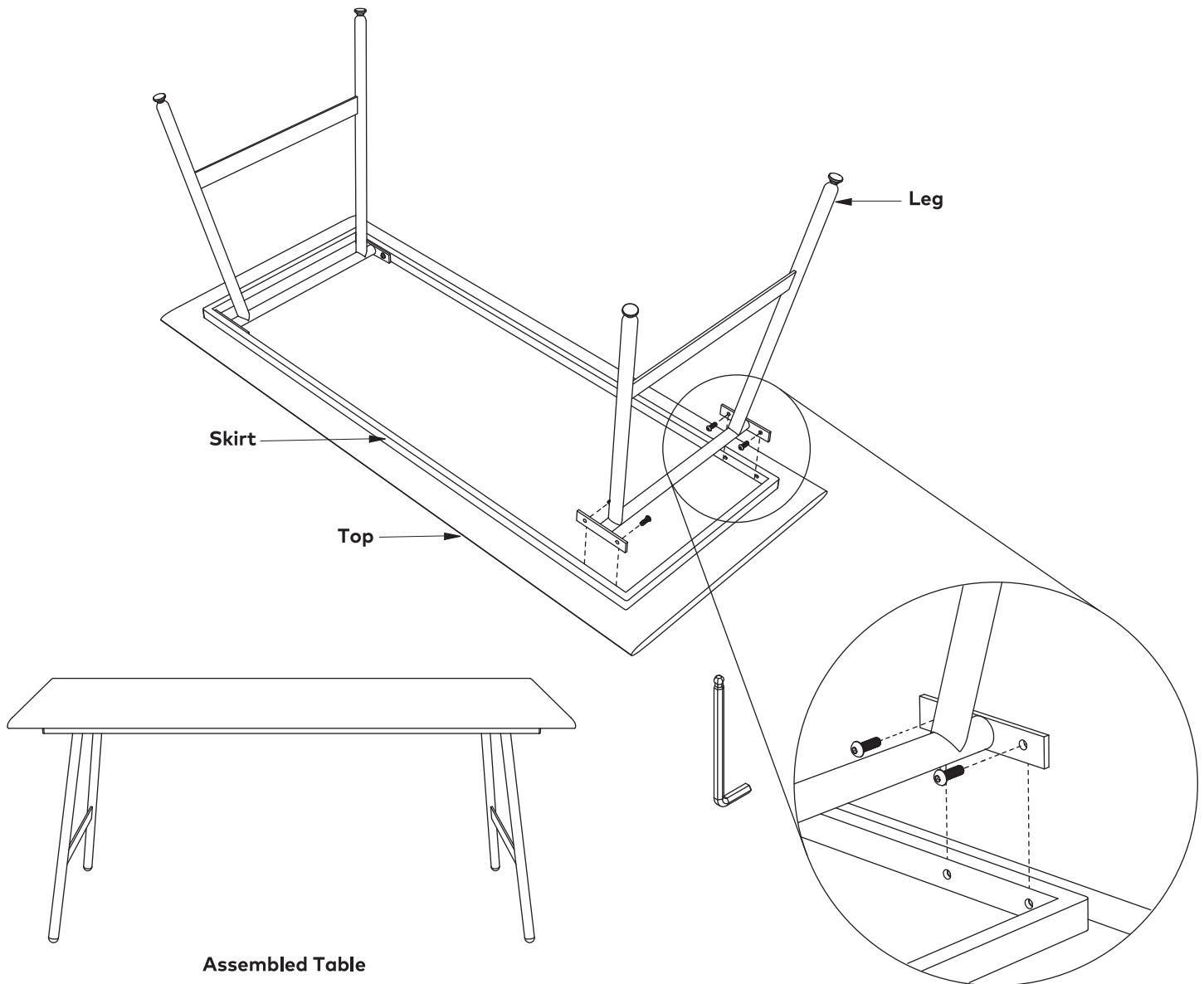
ASSEMBLY INSTRUCTIONS

KEEP ALL PACKAGING MATERIALS UNTIL YOU HAVE VERIFIED ALL COMPONENTS AND PARTS.

1. Place table top upside down on a clean level surface. Attach leg components to skirt with splay outward.
2. Turn assembled table upright and place on floor.

Clean all surfaces with a damp, soft cloth. Do not use abrasive cleaners.

DEPENDING ON USE, IT MAY BE NECESSARY TO TIGHTEN THE SCREWS PERIODICALLY TO MAXIMIZE THE STABILITY OF THE TABLE.



Allen Wrench (x1)



Bolts (x8)

Gus*

Modern
furniture
made
simple.