

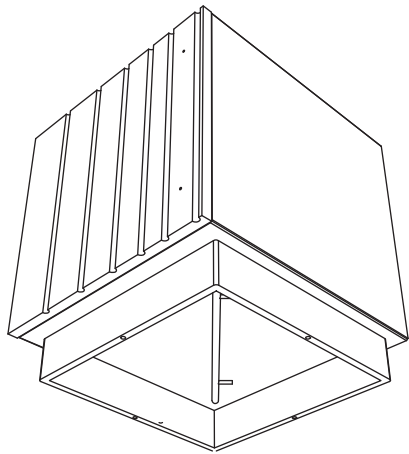
# Elora End Table

## ASSEMBLY INSTRUCTIONS

**KEEP ALL PACKAGING MATERIALS UNTIL YOU HAVE VERIFIED ALL COMPONENTS AND PARTS.**

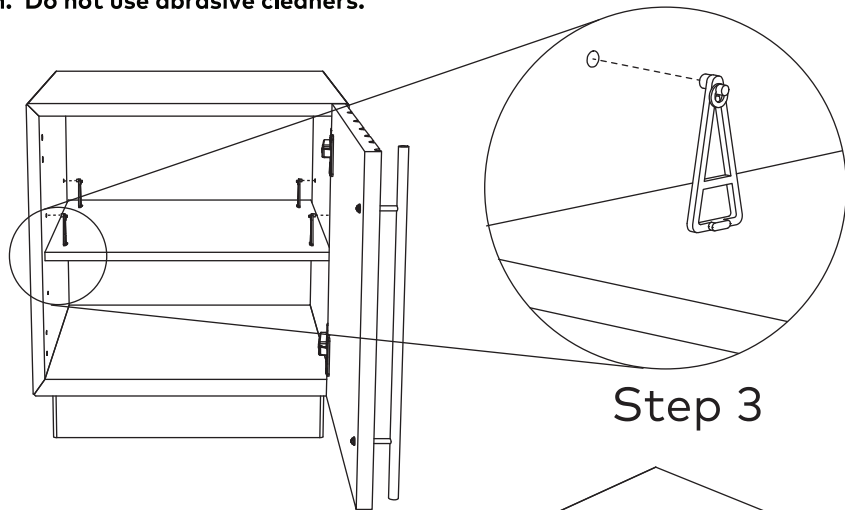
1. Locate and remove door pulls and fastening hardware from the cavity in the cabinet base
2. Align the door pull stems with the holes in the cabinet doors and fasten into place with the screws provided.
3. Remove plastic clips that hold the shelves in place during transport.
4. If a door that opens to the left is desired, remove the four hinge mounting plate screws, rotate and reposition the door to the left side. Align holes of steel hinge mounting plates with fastening holes, at top and bottom. Fasten in place with screws provided.

**Clean all surfaces with a damp, soft cloth. Do not use abrasive cleaners.**

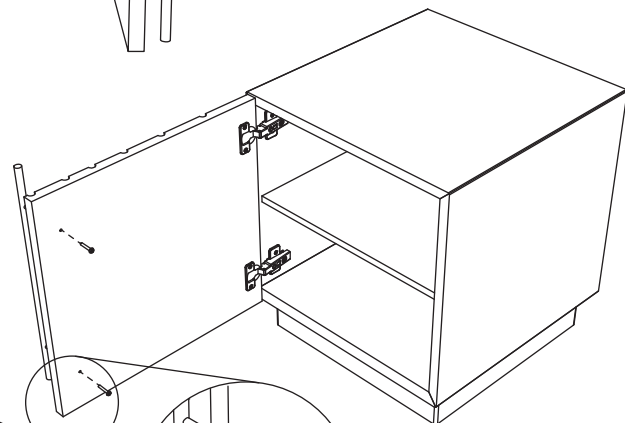


### Step 1

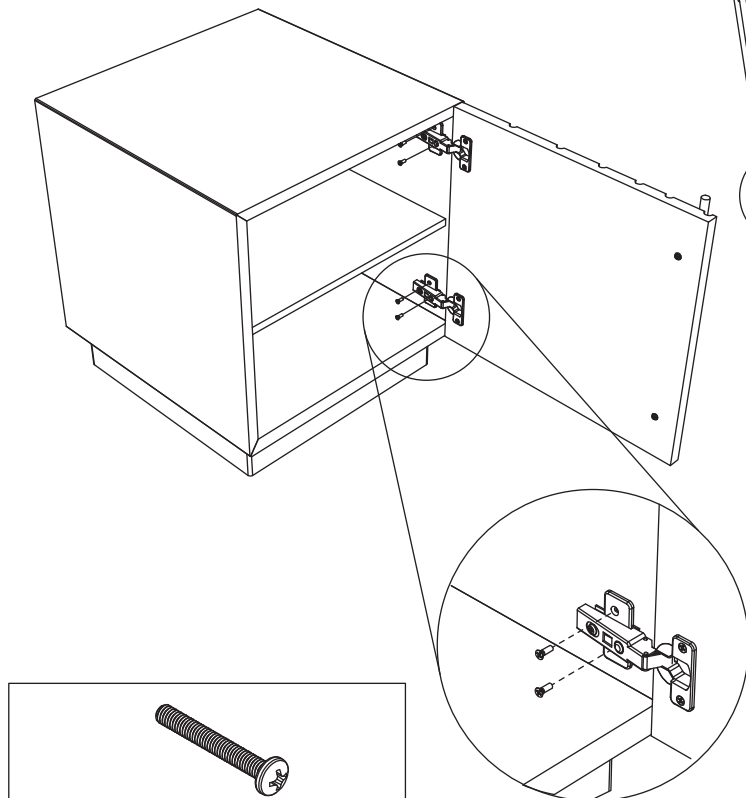
Remove Door Pulls And  
Fastening Hardware  
From Cabinet Base



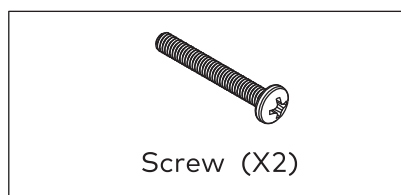
### Step 3



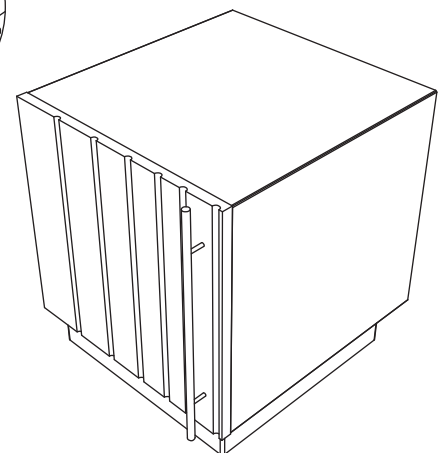
### Step 2



### 4. Door Swing Option



Screw (X2)



Elora End Table



Modern  
furniture  
made  
simple.