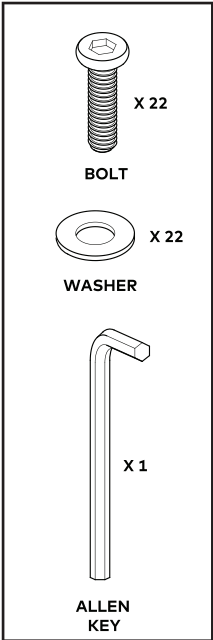
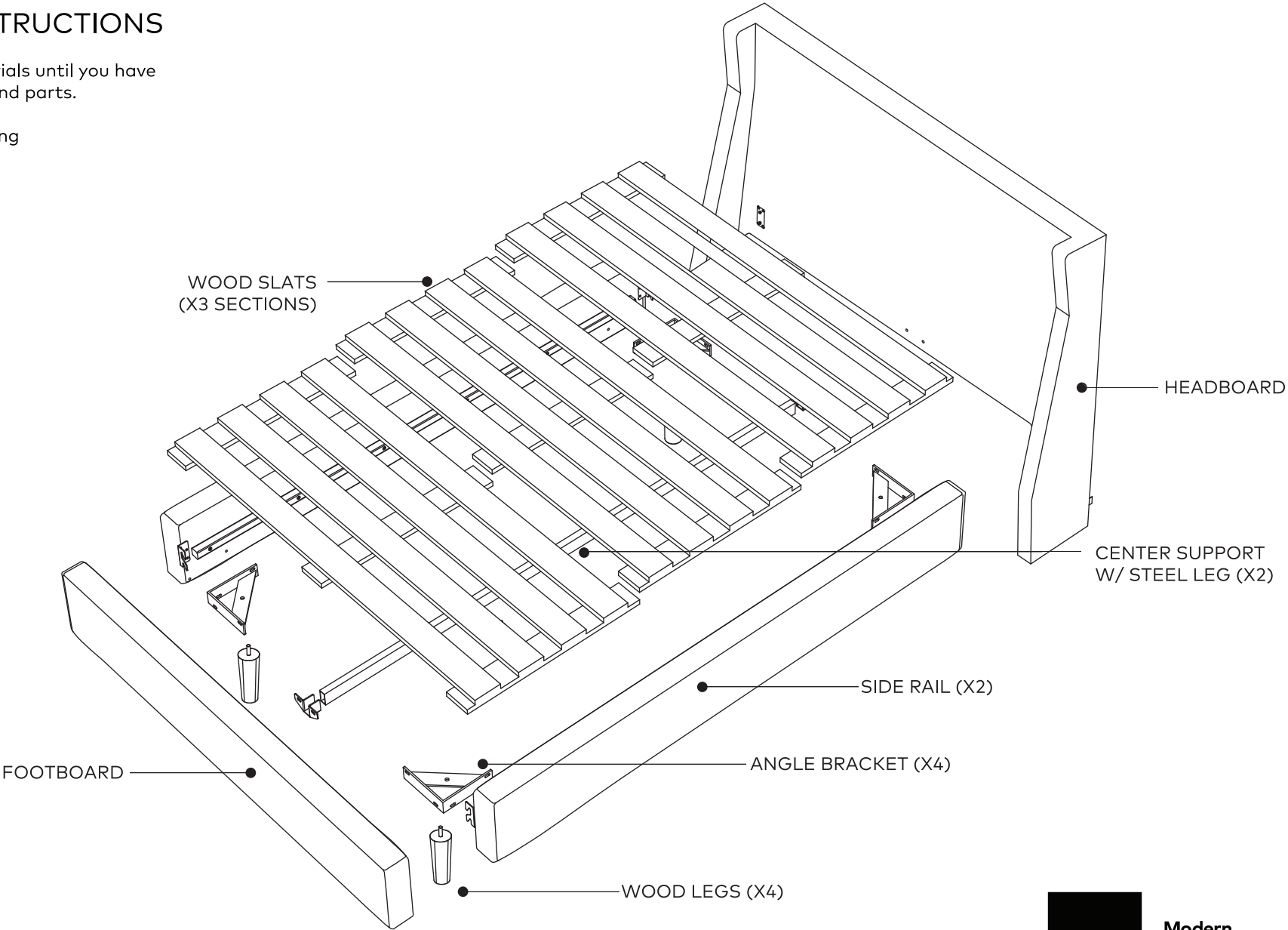


Carmichael Bed

ASSEMBLY INSTRUCTIONS

Keep all packaging materials until you have verified all components and parts.

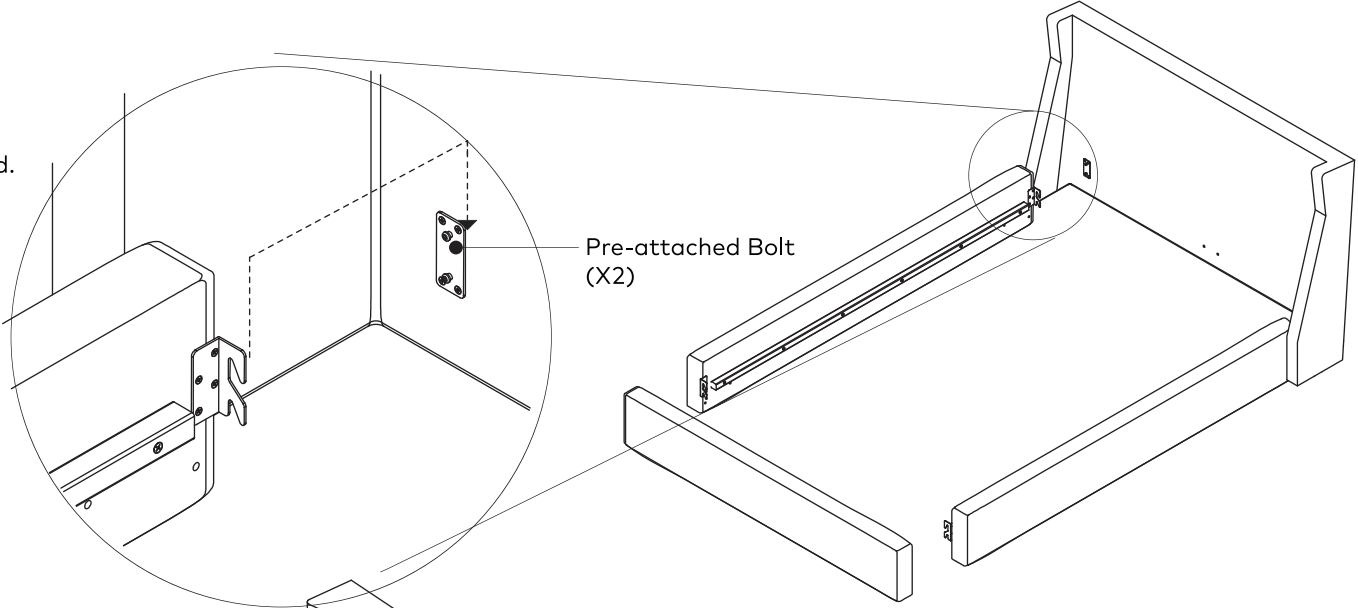
We recommend assembling the bed with two people.



Step 1

SIDE RAIL INSTALLATION

- 1. Hook the Side Rails onto the pre-attached bolts on the left and right sides of the Headboard.
- 2. Using the provided Allen Wrench, secure the Side Rail to the Headboard by tightening the two pre-attached bolts.
- 3. Repeat this procedure to secure the Side Rails onto the left and right sides of the Footboard.

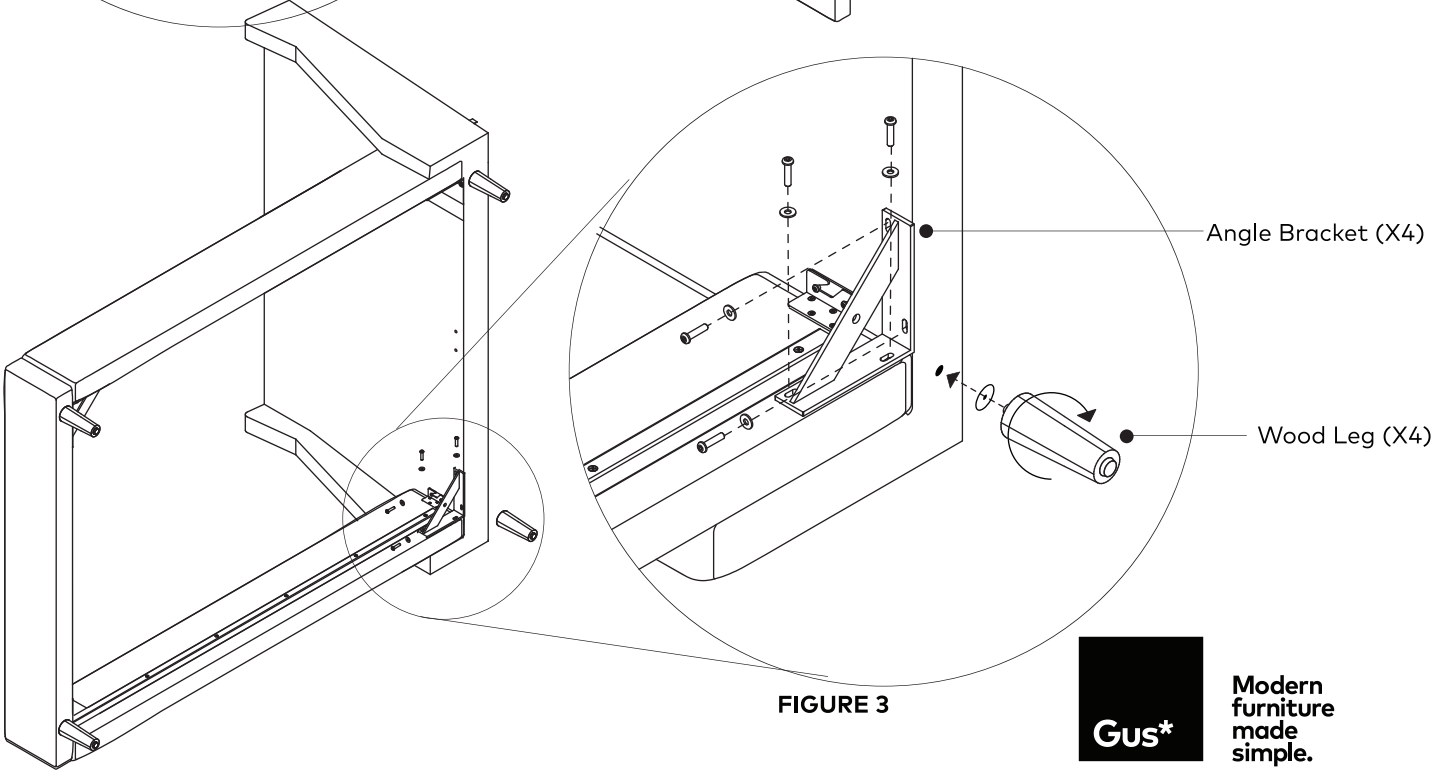


Pre-attached Bolt (X2)

Step 2

ANGLE BRACKET INSTALLATION

- 1. Gently place the assembled bed frame on its side.
- 2. Using the provided Allen Wrench, attach the Angle Brackets to each corner by inserting and tightening the four bolts and washers as shown in Figure 3.
- 3. Place a black plastic washer on to the threaded rod on each leg. Insert and tighten each leg into the threaded inserts found on the bottom corners of Footboard and Headboard as shown in Figure 3.



Angle Bracket (X4)

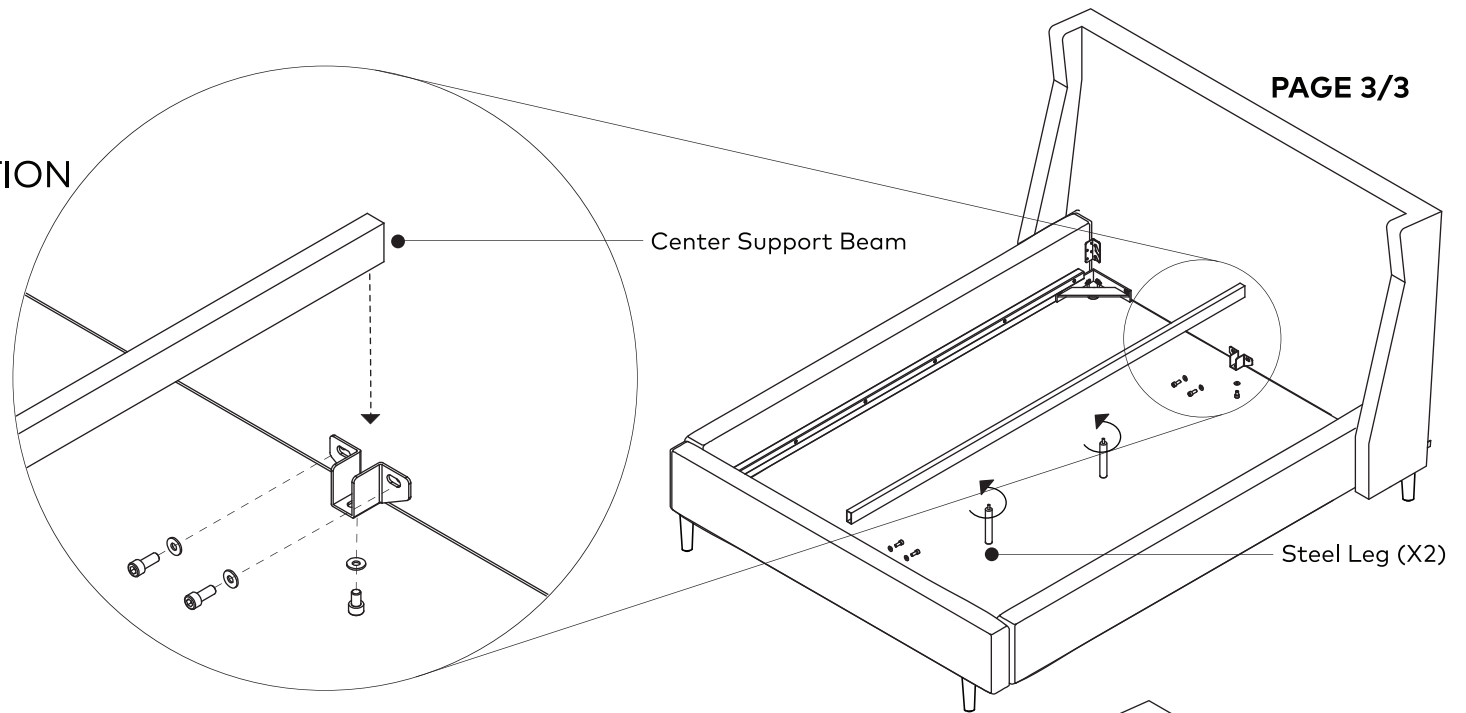
Wood Leg (X4)

FIGURE 3

Step 3

CENTER SUPPORT INSTALLATION

1. Place the bed frame upright on floor.
2. Using the provided Allen Wrench, secure the Center Support Mounting Plates to the Headboard and Footboard with the four bolts and washers provided.
3. Screw the two Steel Legs into underside of the Center Support Beam.
4. Place the Center Support Beam into the Mounting Plates. Push down evenly until seated firmly in place.
5. Using the Allen Wrench, secure the Center Support Beam to the bottom of the Mounting Plates with the two remaining bolts and washers provided.



Step 4

INSTALL WOOD SLATS

1. Starting at the Headboard carefully place the first Wood Slat section into position on the Side Rail cleats and Center Support. Slide Wood Slat section forward until it is nearly touching the Headboard.
2. Place the second and third Wood Slat sections into position on the Side Rail cleats and Center Support. Slide each Wood Slat section forward until they are touching the previous placed Wood Slat section.
3. Place your mattress onto the completed Carmichael Bed frame and enjoy!

