

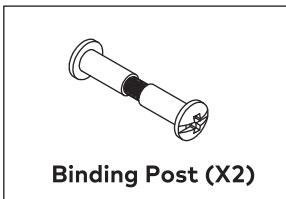
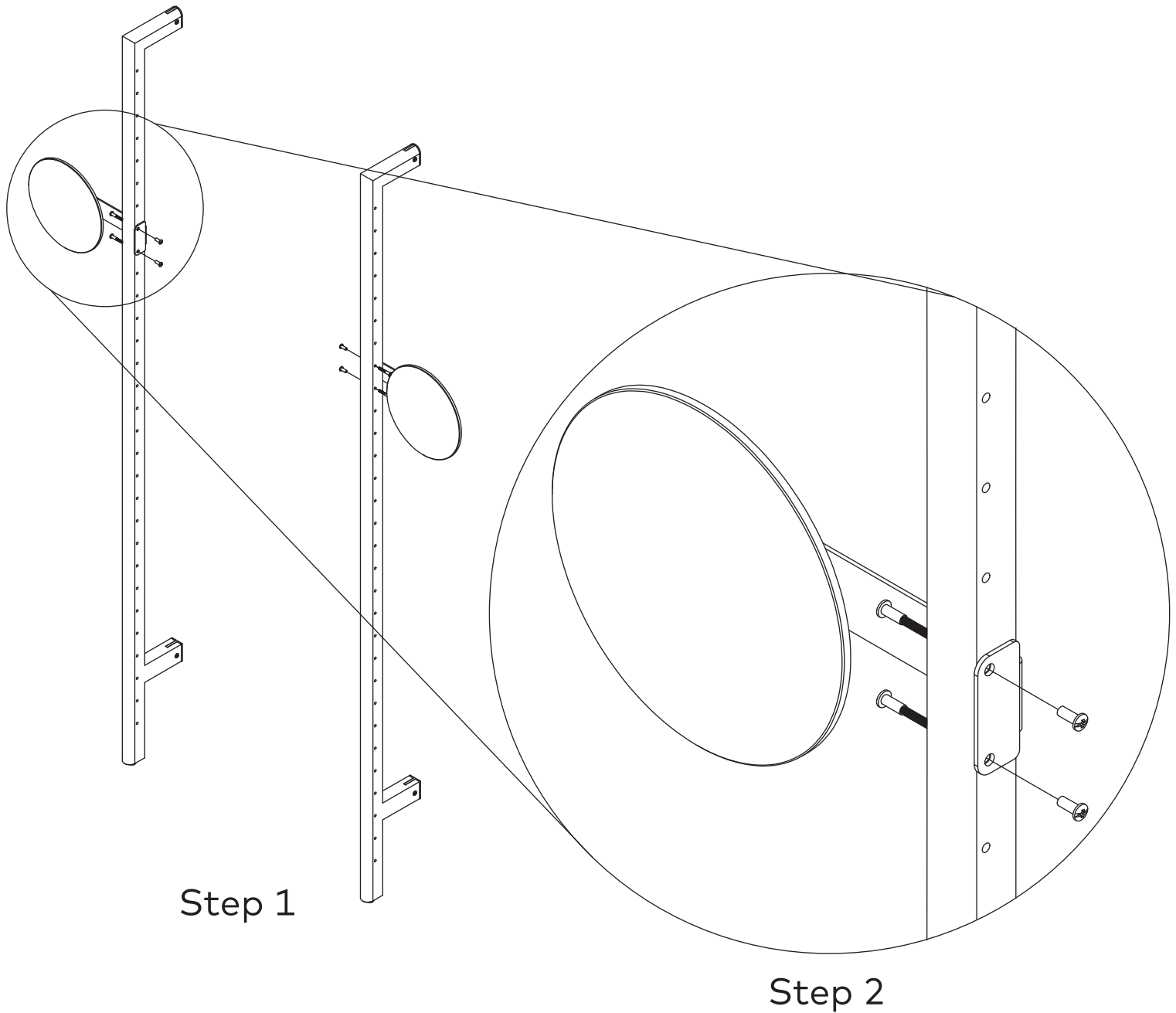
# Branch Side Mirror

## INSTALLATION INSTRUCTIONS

KEEP ALL PACKAGING MATERIALS UNTIL YOU HAVE VERIFIED ALL COMPONENTS AND PARTS.

1. Determine where, and on which side, the mirror will be located.
2. Align the steel mirror bracket with upright holes. Fasten steel mirror brackets to uprights with hardware provided.

To help maintain the appearance of your side mirror we recommend cleaning the wood surfaces and steel brackets with a damp, soft cloth. Do not use abrasive cleaning products. Depending on use, it may be necessary to tighten the screws and hardware periodically to maximize the stability of the side mirror connection to the wood uprights.



Modern  
furniture  
made  
simple.