

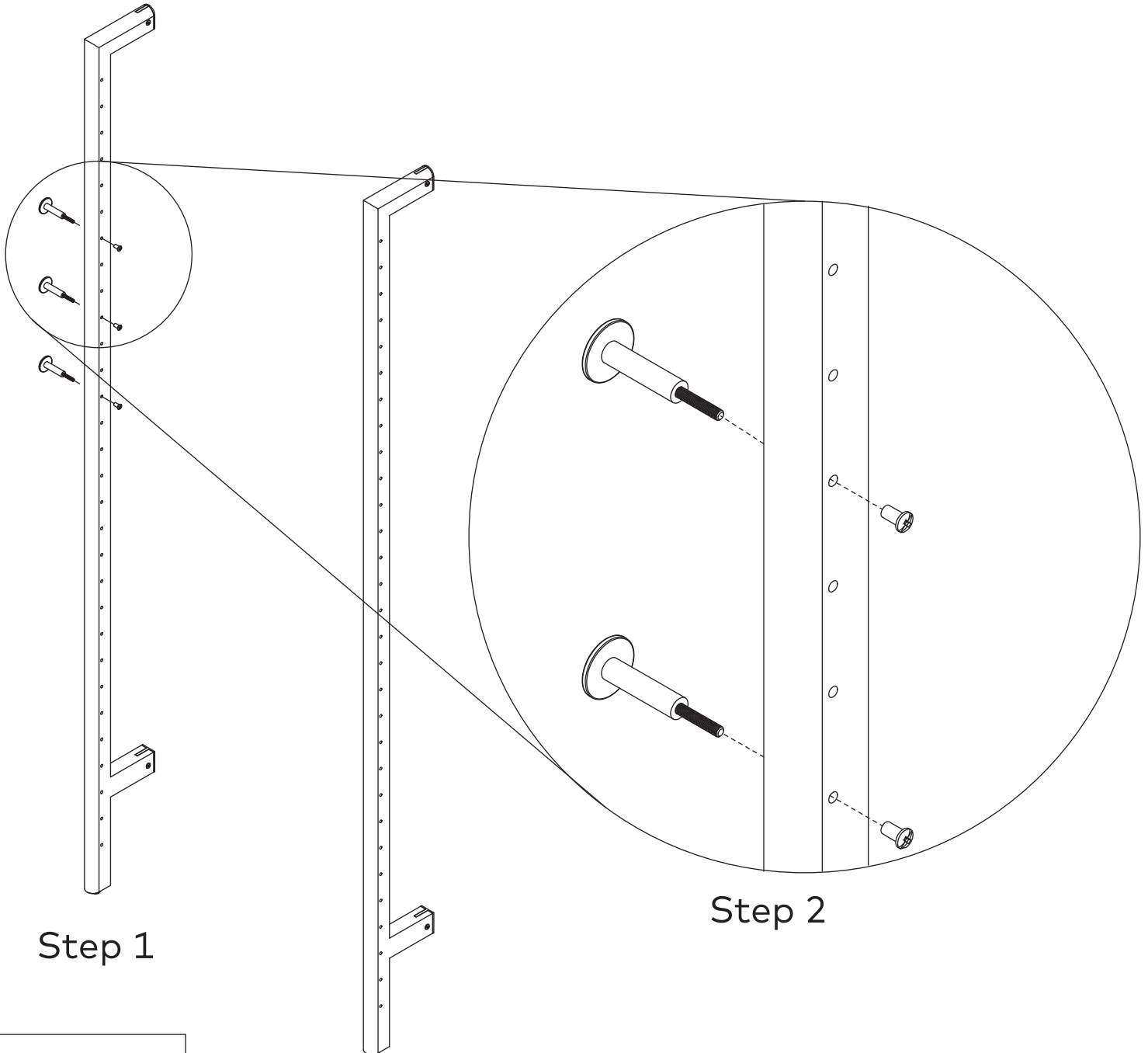
Branch Side Hooks

INSTALLATION INSTRUCTIONS

KEEP ALL PACKAGING MATERIALS UNTIL YOU HAVE VERIFIED ALL COMPONENTS AND PARTS.

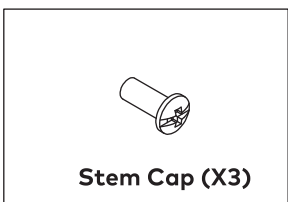
1. Determine the placement for the side hooks.
2. Align side hooks with upright holes. Push the side hook threaded stems through the upright holes and fasten with hardware provided.

To help maintain the appearance of your side hooks we recommend cleaning the metal surfaces with a damp, soft cloth. Do not use abrasive cleaning products. Depending on use, it may be necessary to tighten the screws and hardware periodically to maximize the stability of the side hooks connection to the wood uprights.



Step 1

Step 2



Modern
furniture
made
simple.