

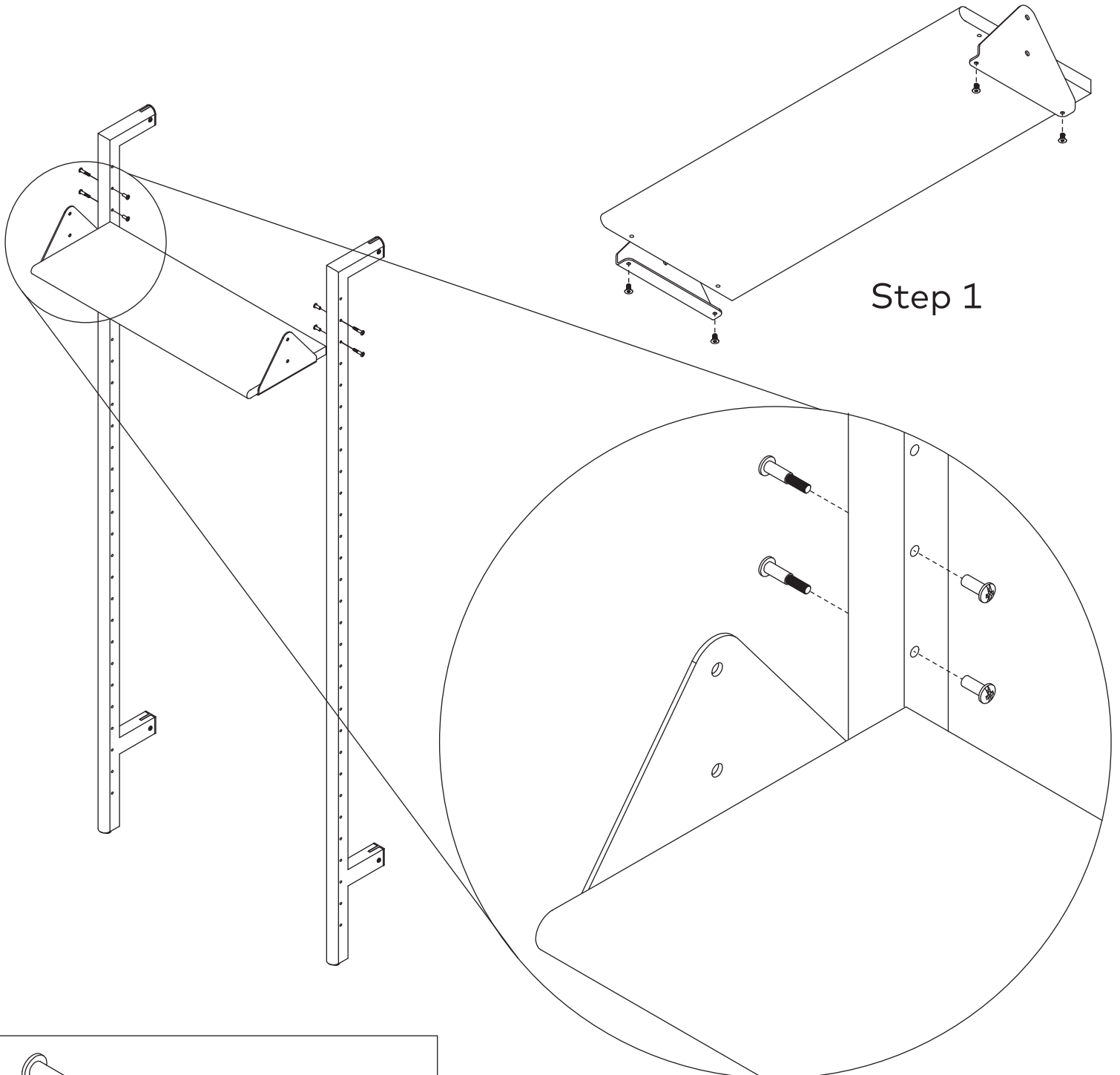
# Branch Shelf

## INSTALLATION INSTRUCTIONS

KEEP ALL PACKAGING MATERIALS UNTIL YOU HAVE VERIFIED ALL COMPONENTS AND PARTS.

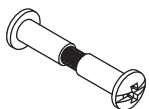
1. Attach the steel shelf brackets to either side of the wood shelf with the fastening hardware provided.
2. Determine the placement for the wood shelf. Align steel shelf bracket holes with upright holes. Fasten the steel shelf brackets with hardware provided.

To help maintain the appearance of your shelf we recommend cleaning the wood surfaces and steel brackets with a damp, soft cloth. Do not use abrasive cleaning products. Depending on use, it may be necessary to tighten the screws and hardware periodically to maximize the stability of the shelf connection to the wood uprights.



Step 1

Step 2



Binding Post (X4)



Shelf Screw (X4)

Gus\*

Modern  
furniture  
made  
simple.