

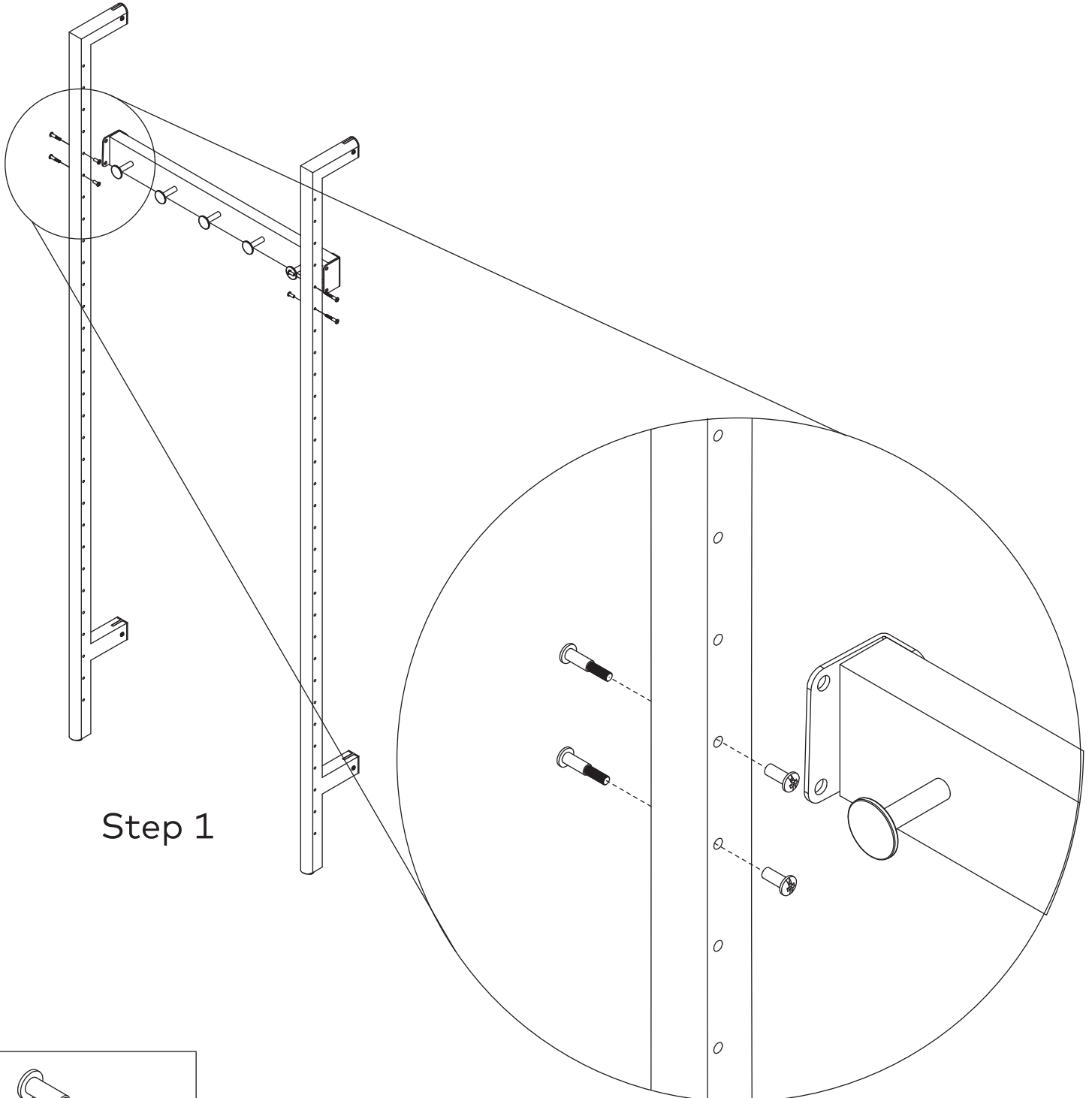
Branch Hook Rail

INSTALLATION INSTRUCTIONS

KEEP ALL PACKAGING MATERIALS UNTIL YOU HAVE VERIFIED ALL COMPONENTS AND PARTS.

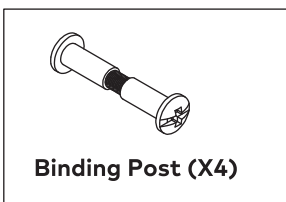
1. Determine the placement for the hook rail.
2. Align hook rail steel bracket holes with upright holes. Fasten the hook rail steel brackets with hardware provided.

To help maintain the appearance of your hook rail we recommend cleaning the wood surfaces and steel brackets with a damp, soft cloth. Do not use abrasive cleaning products. Depending on use, it may be necessary to tighten the screws and hardware periodically to maximize the stability of the hook rail connection to the wood uprights.



Step 1

Step 2



Modern furniture made simple.