

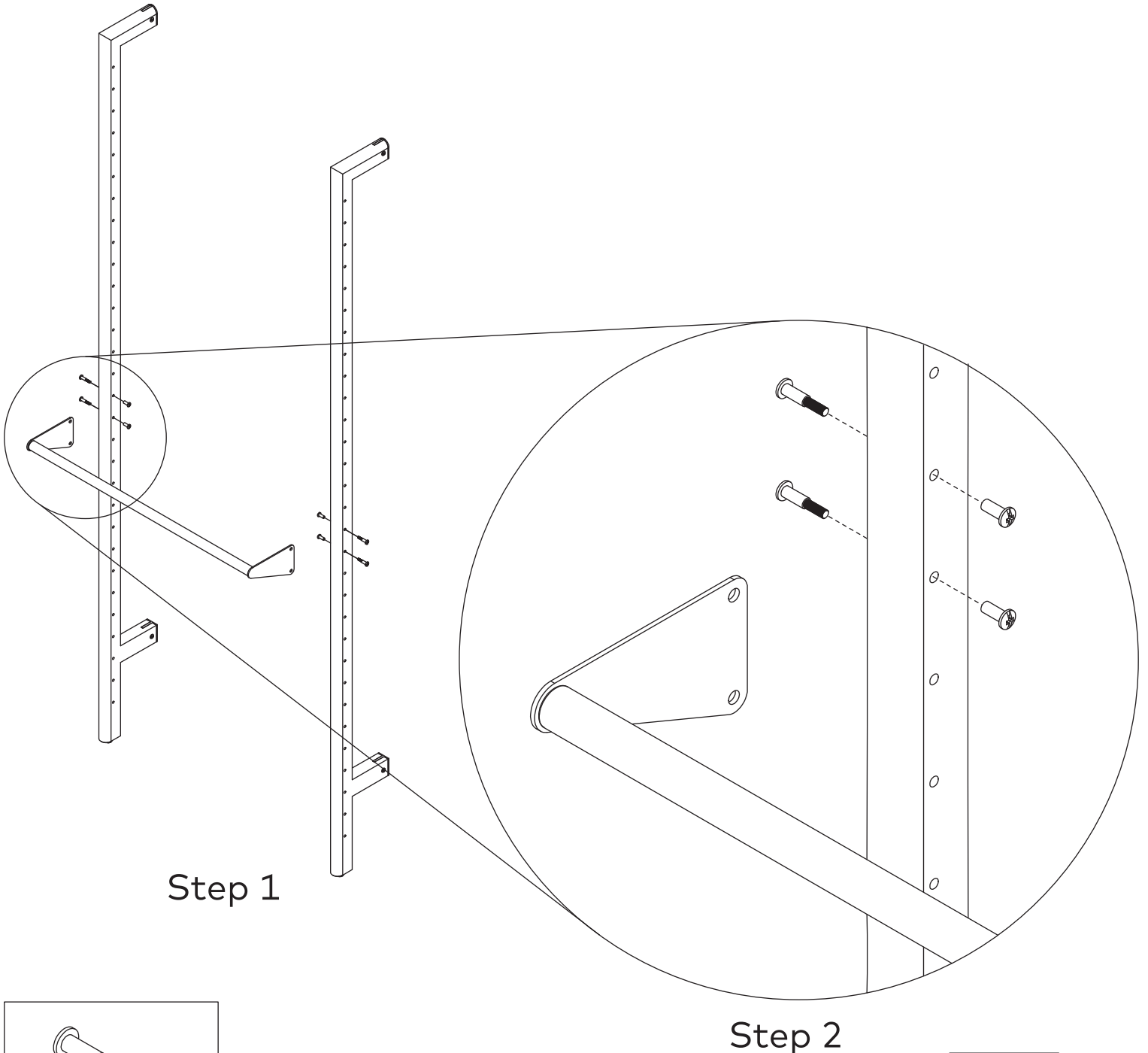
Branch Hangbar

INSTALLATION INSTRUCTIONS

KEEP ALL PACKAGING MATERIALS UNTIL YOU HAVE VERIFIED ALL COMPONENTS AND PARTS.

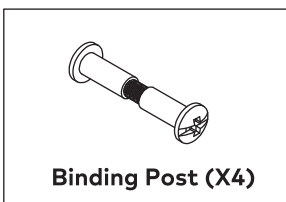
1. Determine where the hang bar will be located.
2. Align the hangbar steel bracket with upright holes. Fasten the hangbar steel brackets to uprights with hardware provided.

To help maintain the appearance of your hangbar we recommend cleaning the metal bar and steel brackets with a damp, soft cloth. Do not use abrasive cleaning products. Depending on use, it may be necessary to tighten the screws and hardware periodically to maximize the stability of the hangbar connection to the wood uprights.



Step 1

Step 2



Modern
furniture
made
simple.