

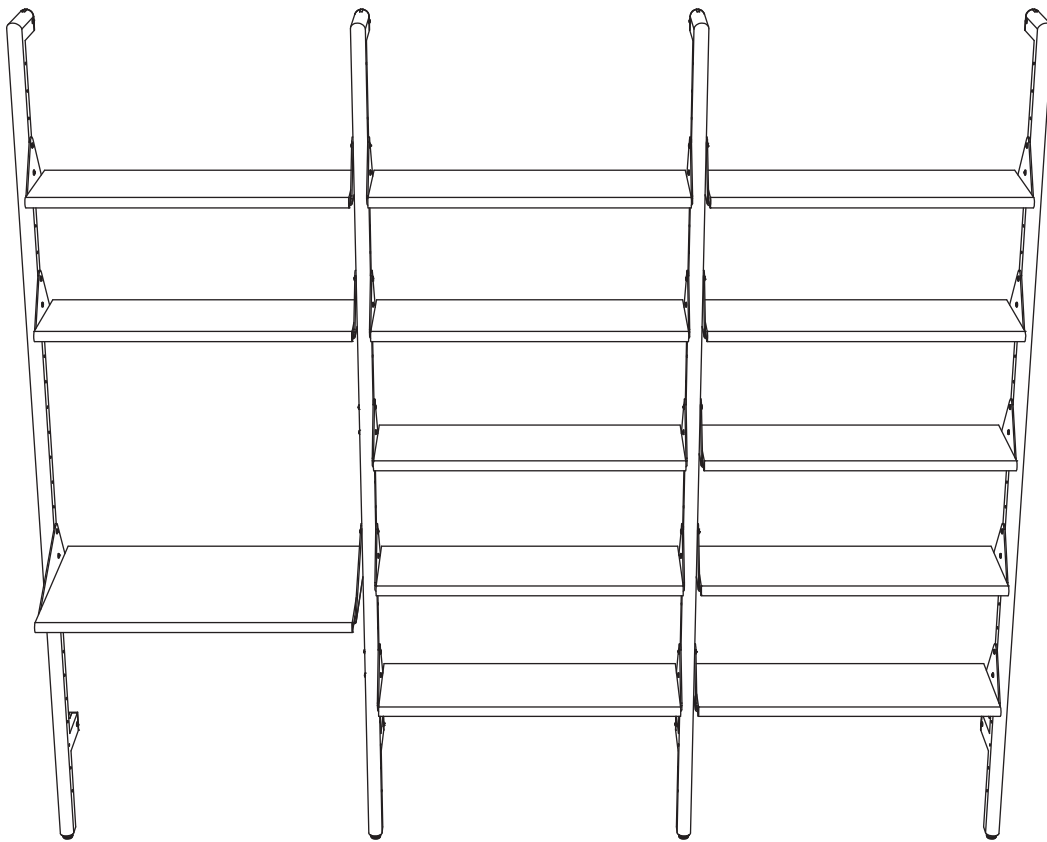
Branch Shelving System

Assembly Instructions

These installation instructions list the components and steps to create any Branch configuration. Review this document completely before beginning installation.

Please take time to identify the hardware as well as the individual components of the product. As you unpack and prepare for assembly, place them carefully on the floor and protect them from damage. Please follow the assembly instructions closely. Improper assembly may result in personal or property damage. We've included drywall anchors. Be sure to use anchors appropriate for your wall.

Depending on use, it may be necessary to tighten the screws and hardware periodically to maximize the stability of the shelving system components.

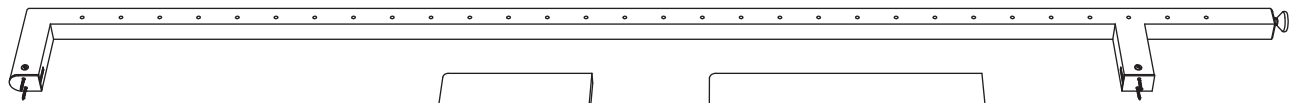


Branch - 3 Shelving Unit w/ Desk
(individual configurations may differ)



Modern
furniture
made
simple.

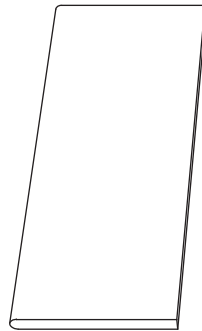
Branch Shelving System Components



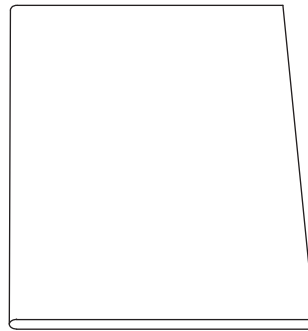
Upper Wall Plate



Lower Wall Plate

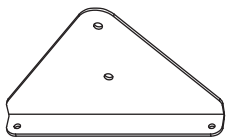


Shelf

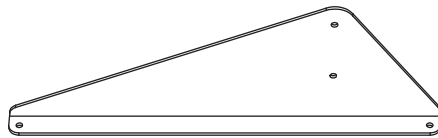


Desk
(optional)

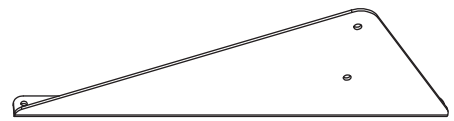
Upright Assembly
(w/ leveler foot)



Shelf Support
Bracket



Left Desk
Support Bracket
(optional)



Right Desk
Support Bracket
(optional)

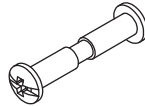
Installation Hardware



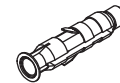
Wall Anchor Screw
(4 per upright)



Support Bracket
Screw

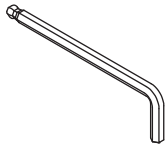


Binding Post

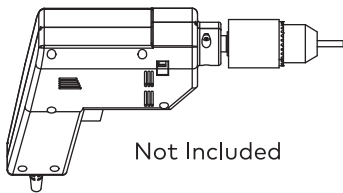


Wall Anchor
(4 per upright)

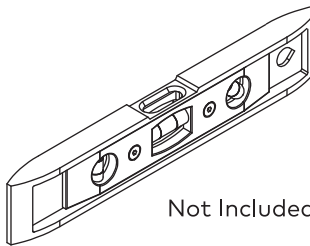
Required Tools



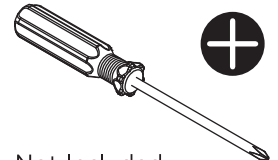
Included



Not Included



Not Included

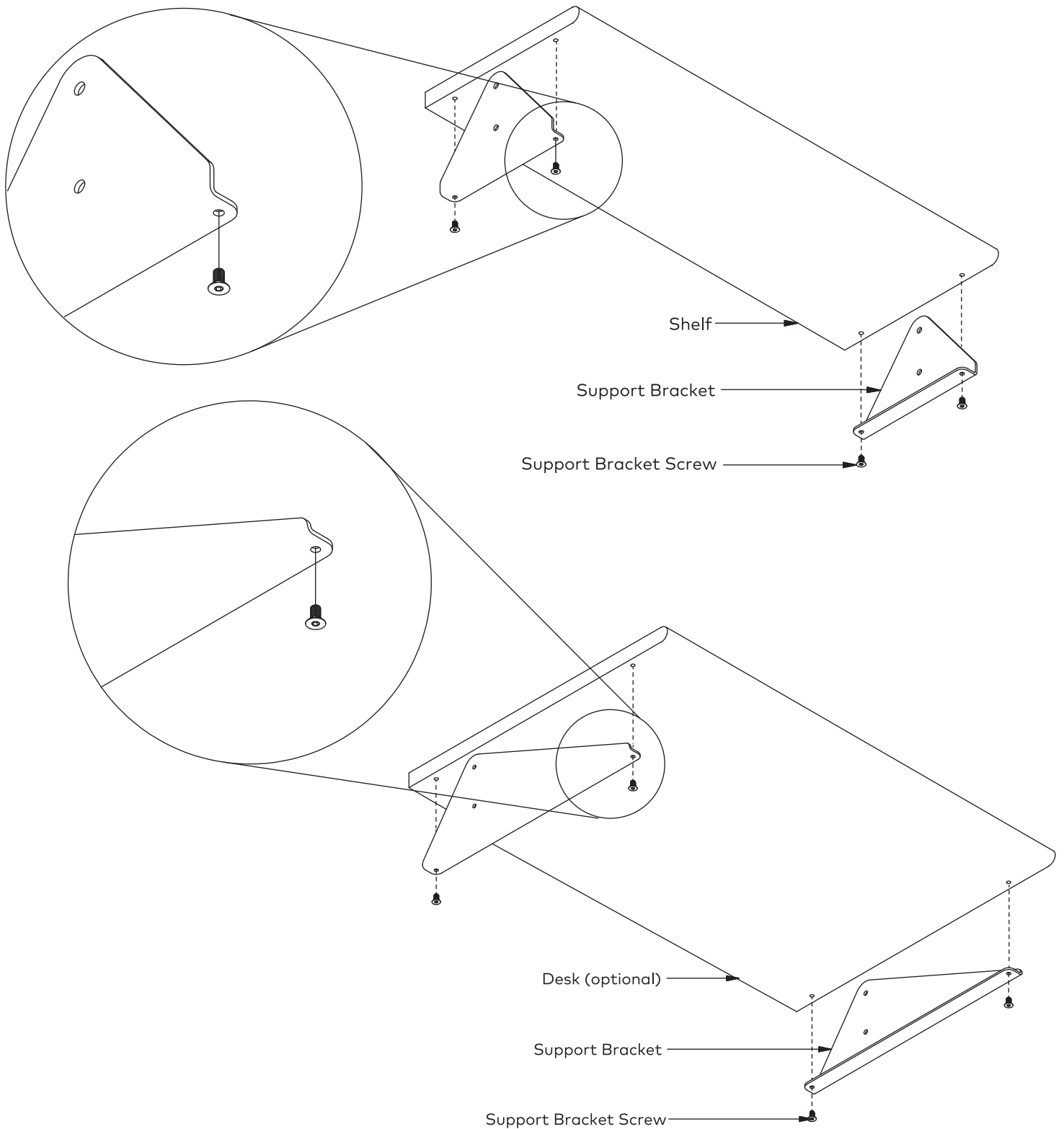


Not Included



Modern
furniture
made
simple.

Shelf And Desk Pre-Assembly



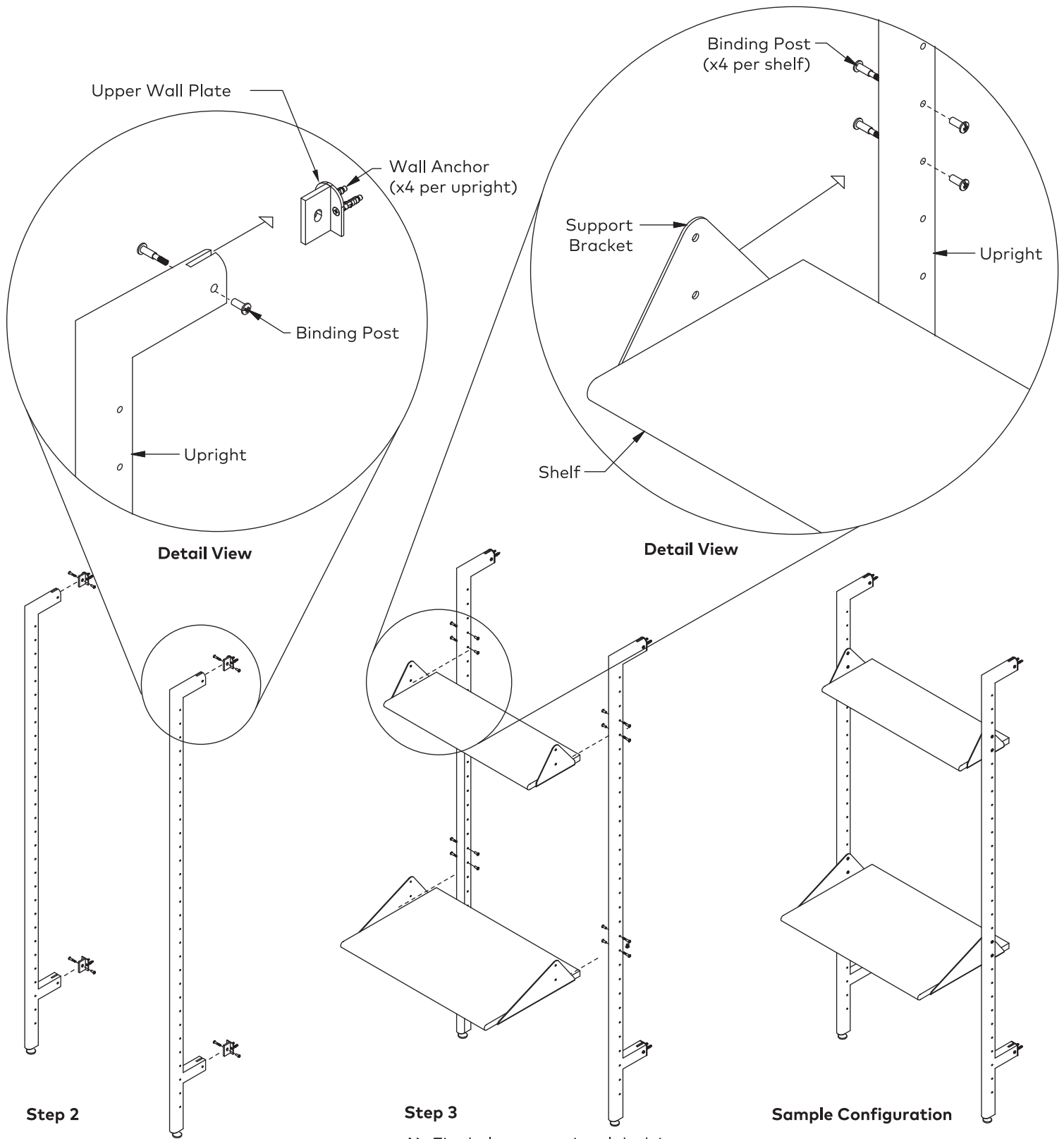
Step 1

- Assemble shelf/desk unit using provided hardware.
- Attach shelf between the uprights to confirm proper width of Branch assembly.
- Assemble branch configuration face down on floor prior to fastening anything to the wall.



Modern
furniture
made
simple.

Shelf And Desk Pre-Assembly



Step 2

- A) Fit uprights into upper and lower wall plates.
- B) Align holes in wall plates and holes in uprights.
- C) Fasten uprights into wall plates with threaded binding posts.

Step 3

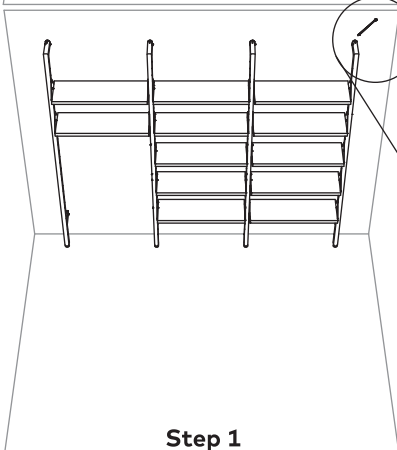
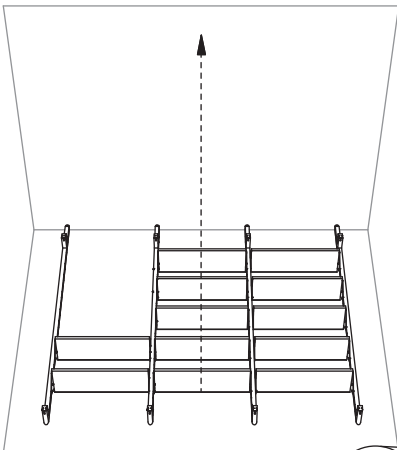
- A) Fit shelves or optional desk into desired location between uprights.
- B) Align threaded binding posts and support brackets.
- C) Insert threaded binding posts and tighten from both sides until snug.
- D) If multiple bays require support brackets at same height note that binding posts are designed to adjust to the extra length needed.

Sample Configuration

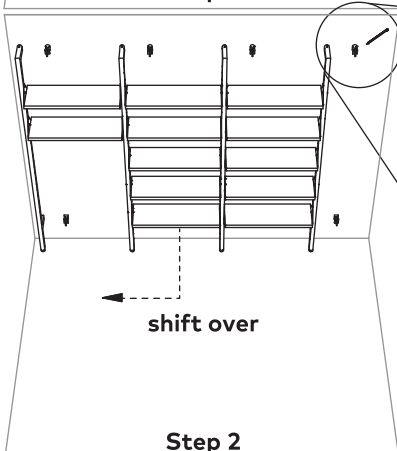


Modern furniture
made
simple.

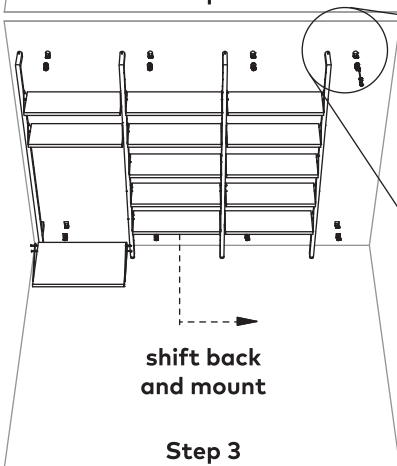
Method For Marking Position Of Upright Wall Plates



Step 1



Step 2



Step 3

Step 4

- A) Configure branch bays face down on the floor prior to fastening anything to the wall to ensure proper assembly.
- B) Raise shelf assembly into position against the wall it is to be installed on.
- C) Level the feel if needed.

Step 5

- A) Locate shelf assembly in desired location.
- B) Mark position of upper and lower wall plates by tracing their perimeter with a pencil.

Step 6

- A) Shift assembled shelf bays over to one side until they are clear of desired anchor locations.
- B) With upper and lower wall plates in position inside the perimeter outline mark the location of the holes for the wall inserts with a pencil.

Step 7

- A) Drill holes for upper and lower wall plate inserts and tap them into place.
- B) Align wall plate holes with insert locations and fasten to wall with provided wall anchor screws.
- C) Fasten uprights to wall plates with the provided black stem binding post assemblies.
- D) Install desk assembly in desired location.



Modern
furniture
made
simple.

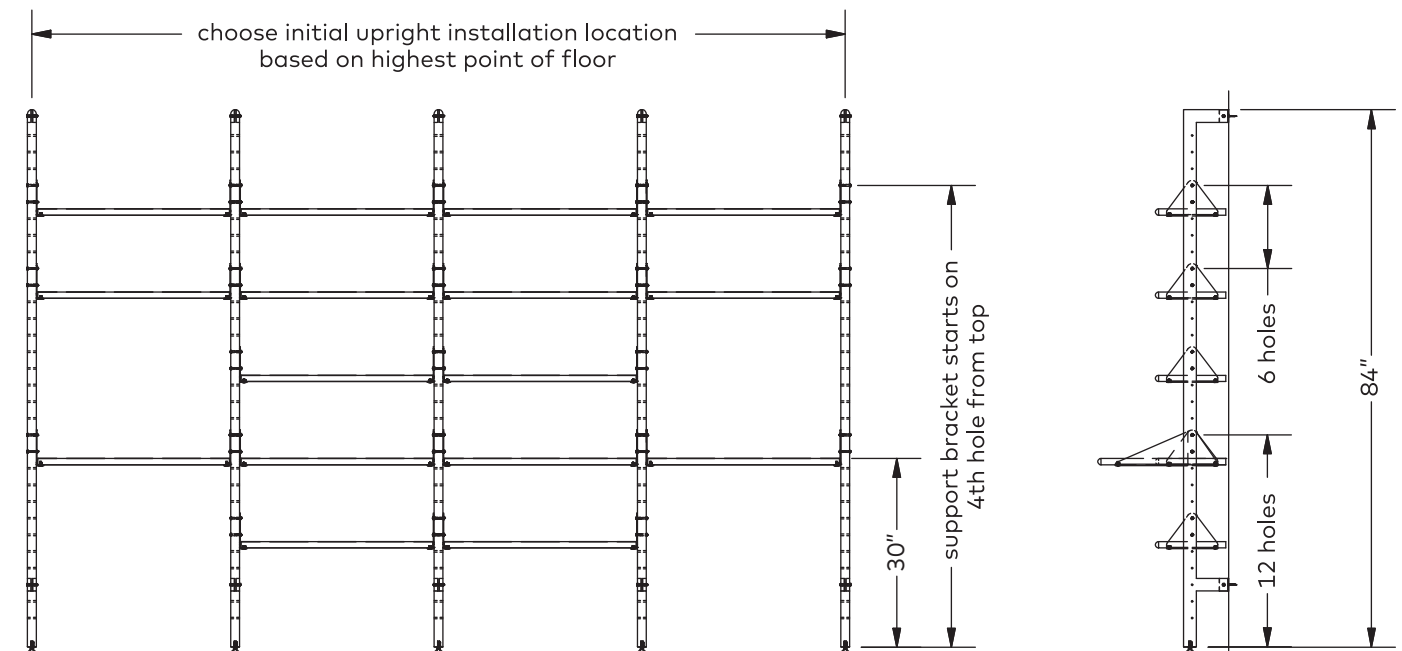
Considerations For Multiple Bay Configurations

Floor Level. If you are installing more than two bays of Branch Shelving in a row, then it is important to consider the slope of the floor. Please ensure that your floor is level by using a longer level along the floor at the bottom of the desired wall for the installation.

- If the floor is level and does not slope down left or right then you are free to start your install without regard for the floor. We do however recommend that you leave a few turns of the level feet out, so they can be adjusted up or down slightly if needed.

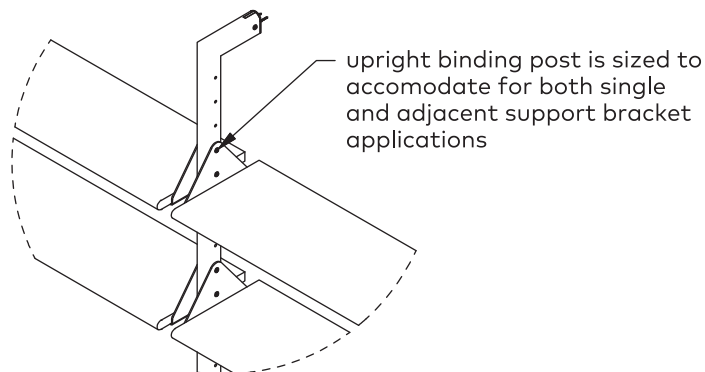
- If the floor is sloping to the left or right, then it is important to start the install at the highest point of the floor. We suggest to start at the highest point with the level feet of the uprights turned to their lowest point for the initial install. As the floor slopes downward the level feet of the uprights can be unscrewed to allow them to touch the floor.

Using a handyman service. A typical three bay Branch Shelving System can take an experienced handyman approximately 1.5 hours to install. The angles of your floor and wall all come into play when determining the complexity of install time. The more out of alignment these elements are, the more experience is needed to ensure an accurate fit and finish. Although the Branch Shelving System has tolerances to account for floor and wall imperfections, a good handyman is recommended for larger multiple bay configurations.

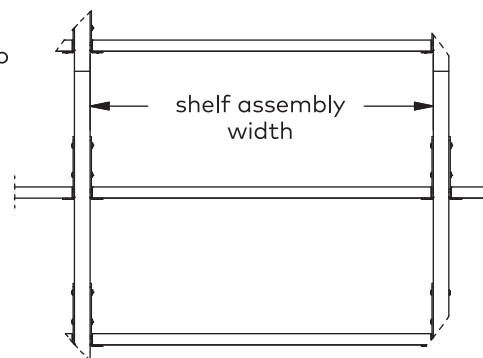


Front View - Multiple Bay - Sample Configuration

Side View



Support Shelf Detail

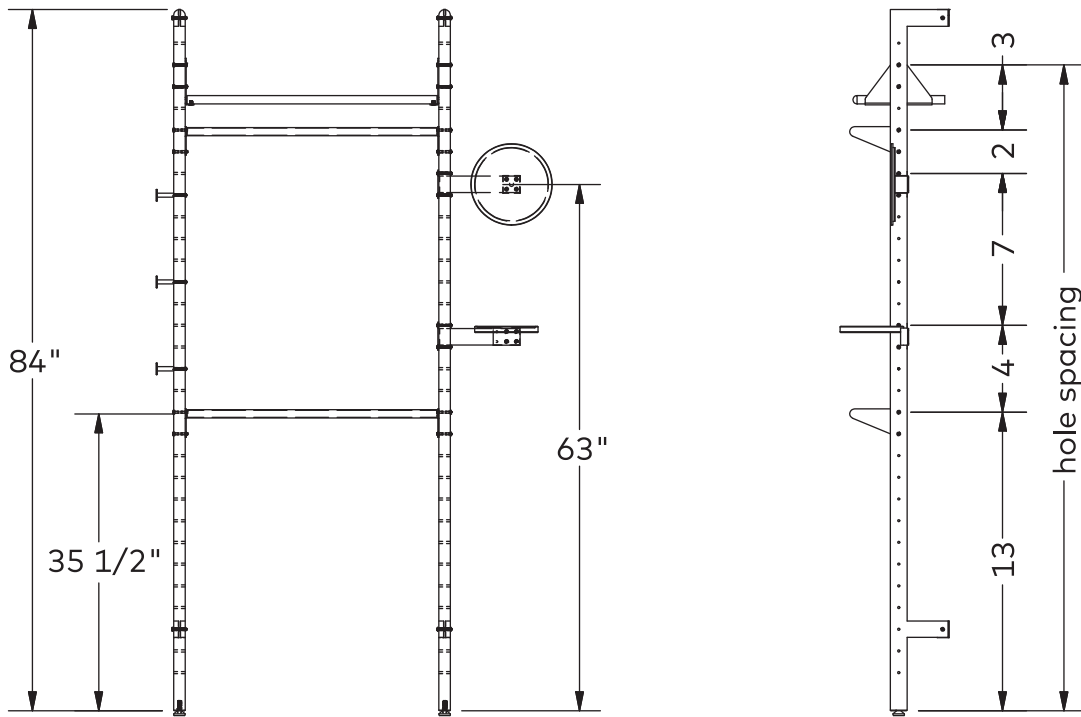


Shelf Detail

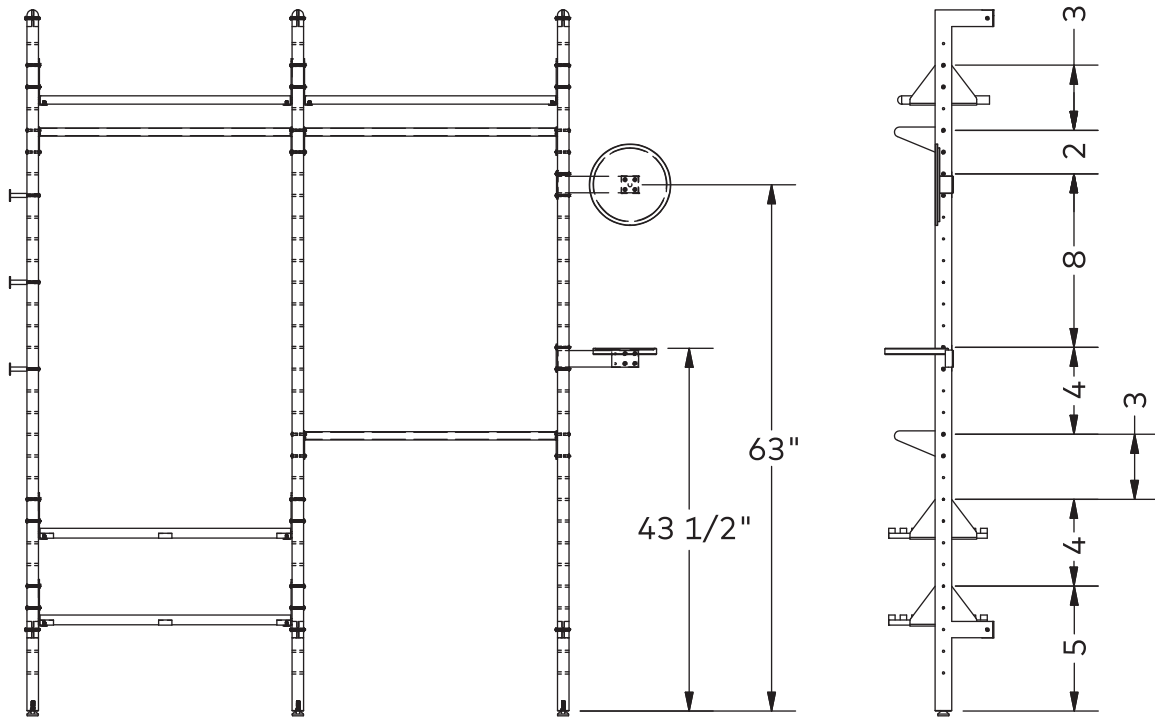


Modern
furniture
made
simple.

Component Locations - Branch Collection Configurations



Branch - 1 - Wardrobe Unit

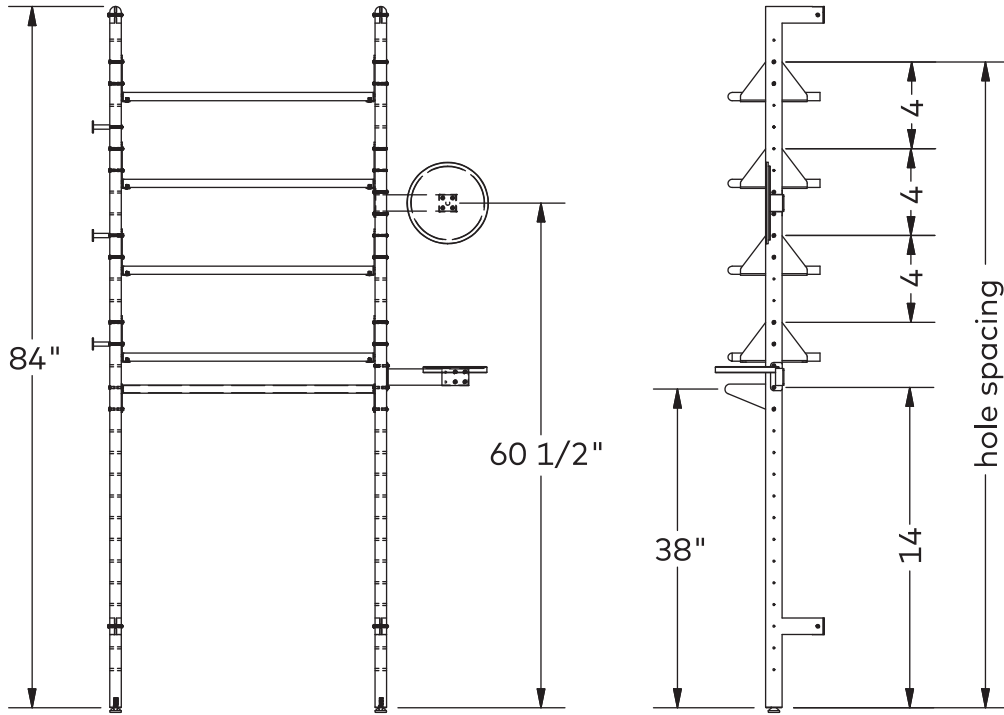


Branch - 2 - Wardrobe Unit

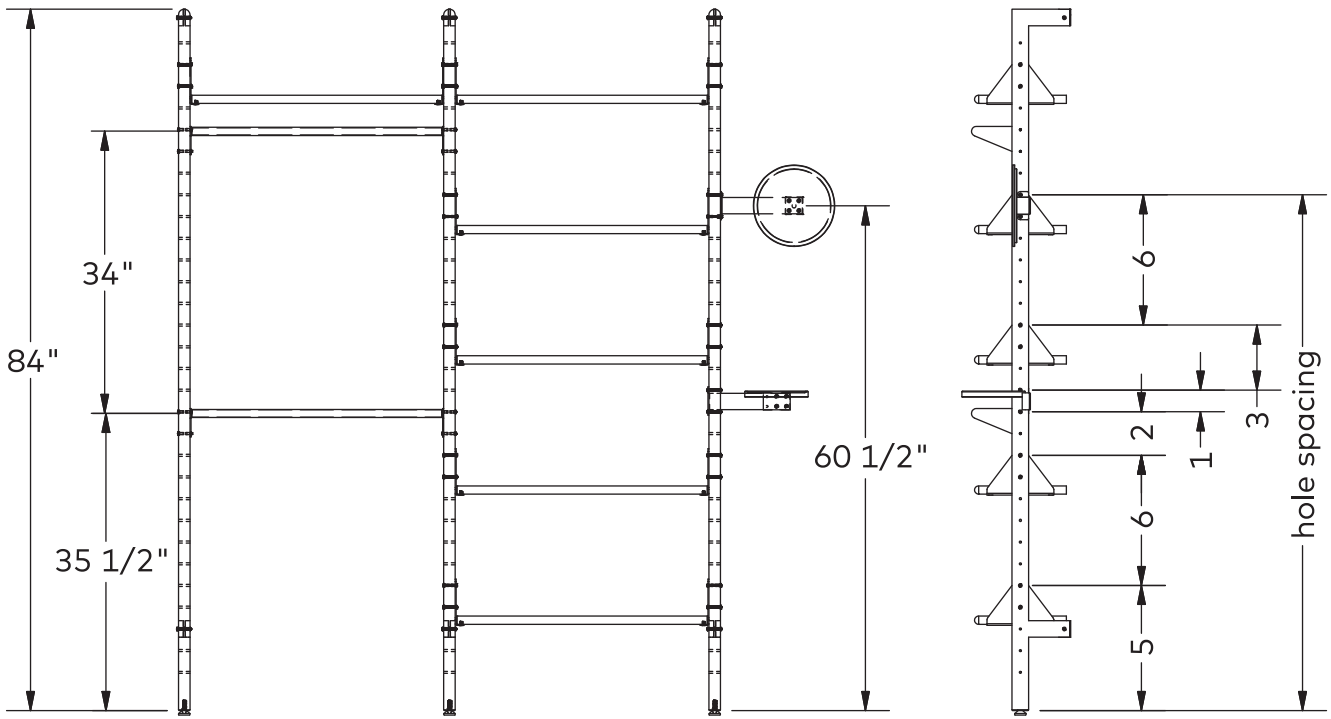


Modern
furniture
made
simple.

Component Branch Collection Configurations



Branch - 1 - Display Unit



Branch - 2 - Display Unit

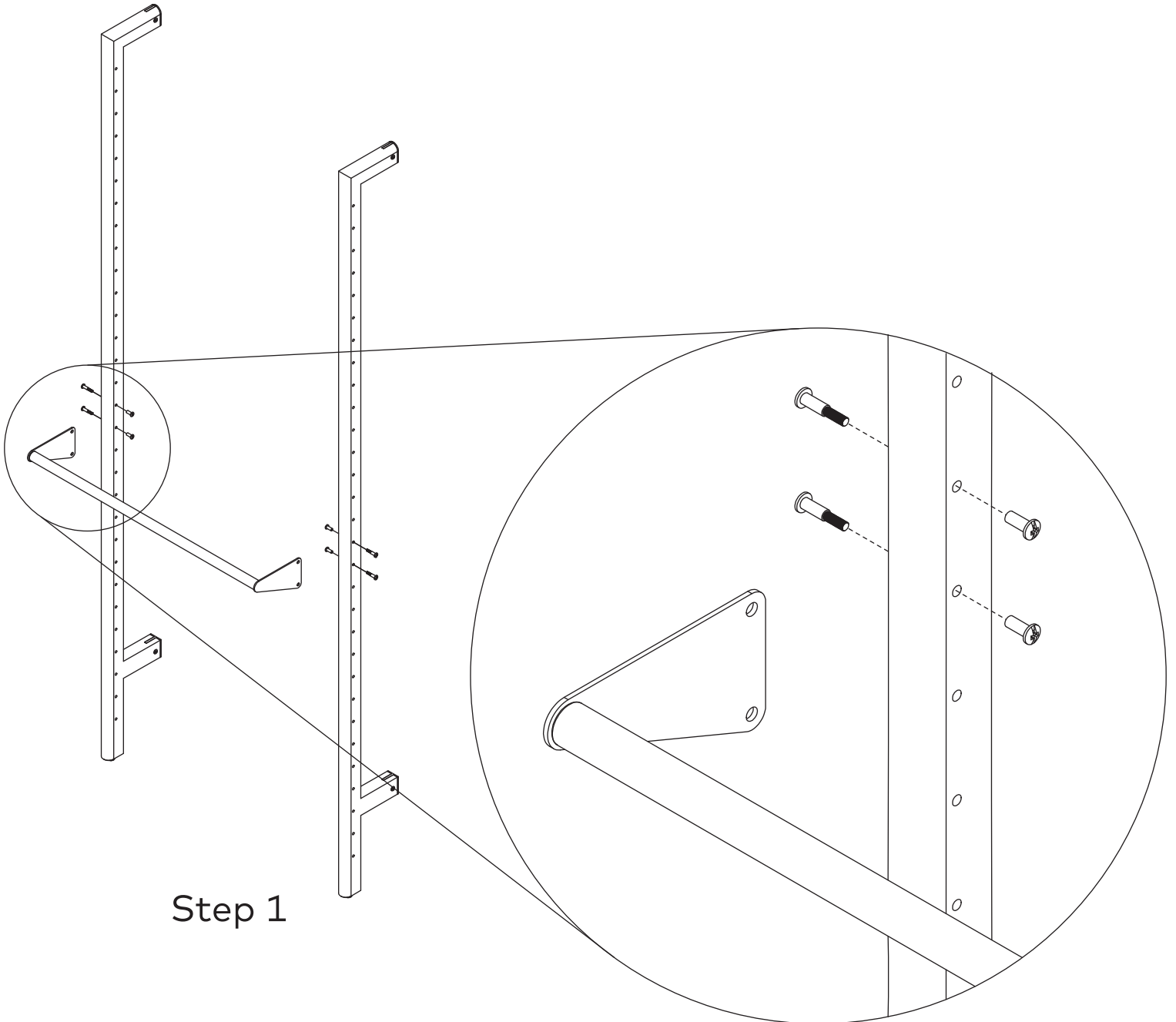
Branch Hangbar

INSTALLATION INSTRUCTIONS

KEEP ALL PACKAGING MATERIALS UNTIL YOU HAVE VERIFIED ALL COMPONENTS AND PARTS.

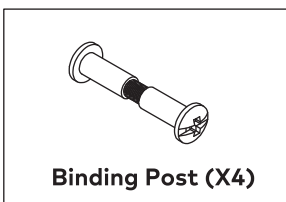
1. Determine where the hang bar will be located.
2. Align the hangbar steel bracket with upright holes. Fasten the hangbar steel brackets to uprights with hardware provided.

To help maintain the appearance of your hangbar we recommend cleaning the metal bar and steel brackets with a damp, soft cloth. Do not use abrasive cleaning products. Depending on use, it may be necessary to tighten the screws and hardware periodically to maximize the stability of the hangbar connection to the wood uprights.



Step 1

Step 2



Modern
furniture
made
simple.

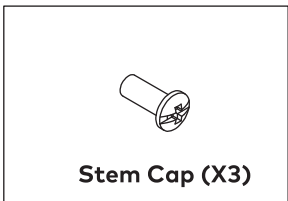
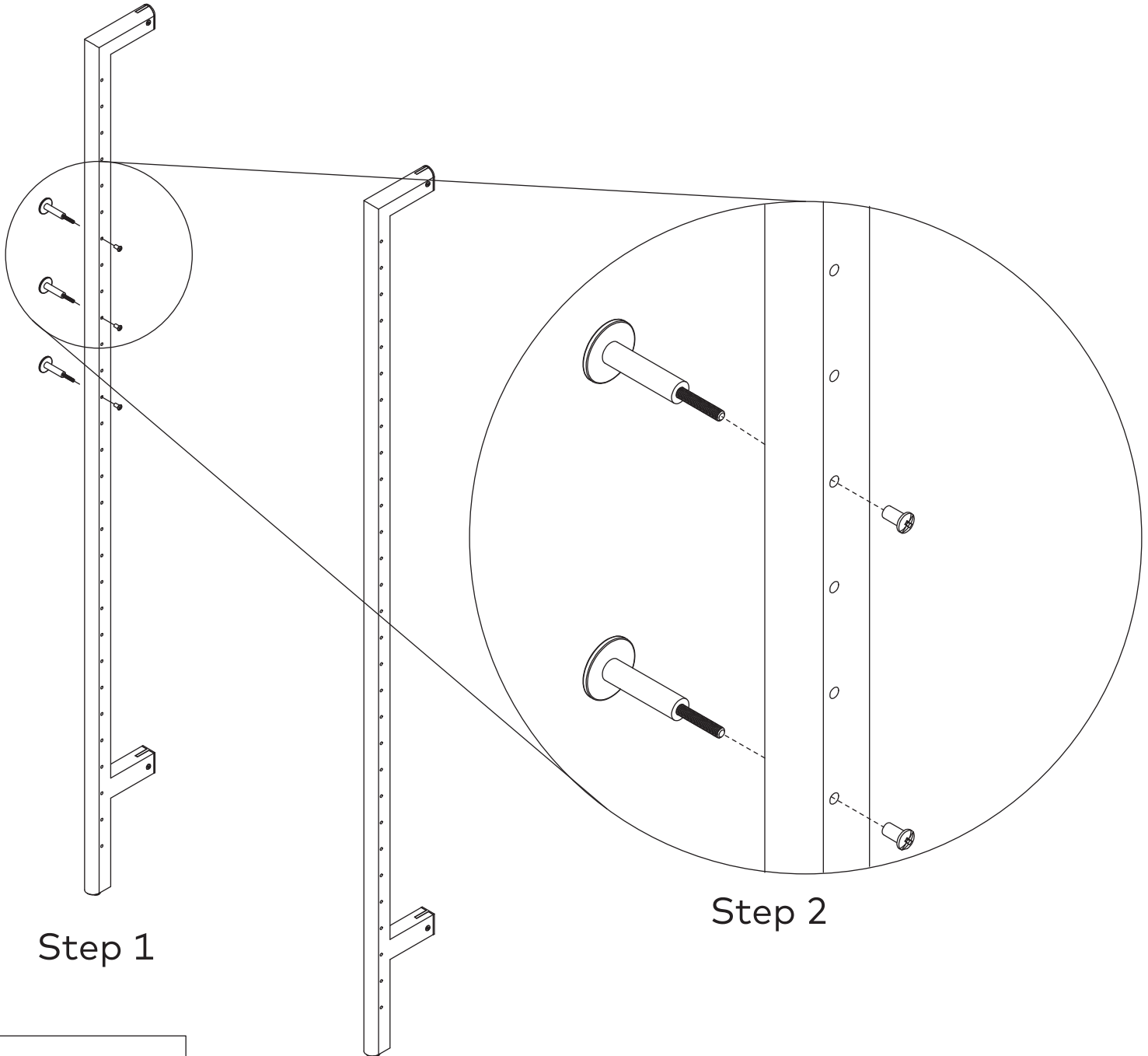
Branch Side Hooks

INSTALLATION INSTRUCTIONS

KEEP ALL PACKAGING MATERIALS UNTIL YOU HAVE VERIFIED ALL COMPONENTS AND PARTS.

1. Determine the placement for the side hooks.
2. Align side hooks with upright holes. Push the side hook threaded stems through the upright holes and fasten with hardware provided.

To help maintain the appearance of your side hooks we recommend cleaning the metal surfaces with a damp, soft cloth. Do not use abrasive cleaning products. Depending on use, it may be necessary to tighten the screws and hardware periodically to maximize the stability of the side hooks connection to the wood uprights.



Modern
furniture
made
simple.

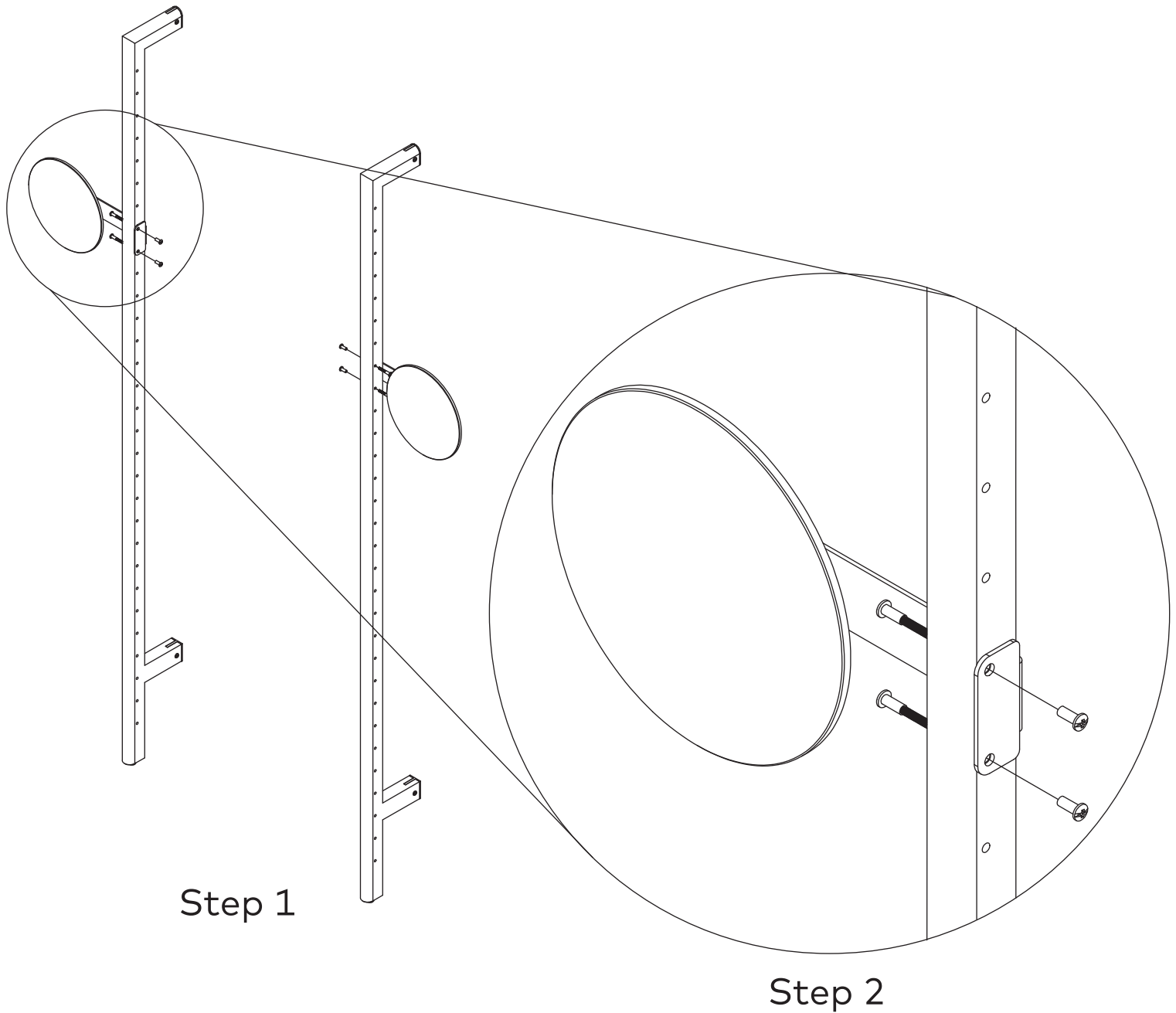
Branch Side Mirror

INSTALLATION INSTRUCTIONS

KEEP ALL PACKAGING MATERIALS UNTIL YOU HAVE VERIFIED ALL COMPONENTS AND PARTS.

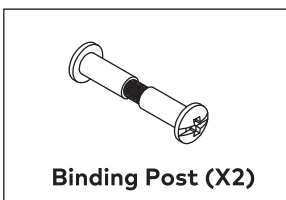
1. Determine where, and on which side, the mirror will be located.
2. Align the steel mirror bracket with upright holes. Fasten steel mirror brackets to uprights with hardware provided.

To help maintain the appearance of your side mirror we recommend cleaning the wood surfaces and steel brackets with a damp, soft cloth. Do not use abrasive cleaning products. Depending on use, it may be necessary to tighten the screws and hardware periodically to maximize the stability of the side mirror connection to the wood uprights.



Step 1

Step 2



Modern
furniture
made
simple.

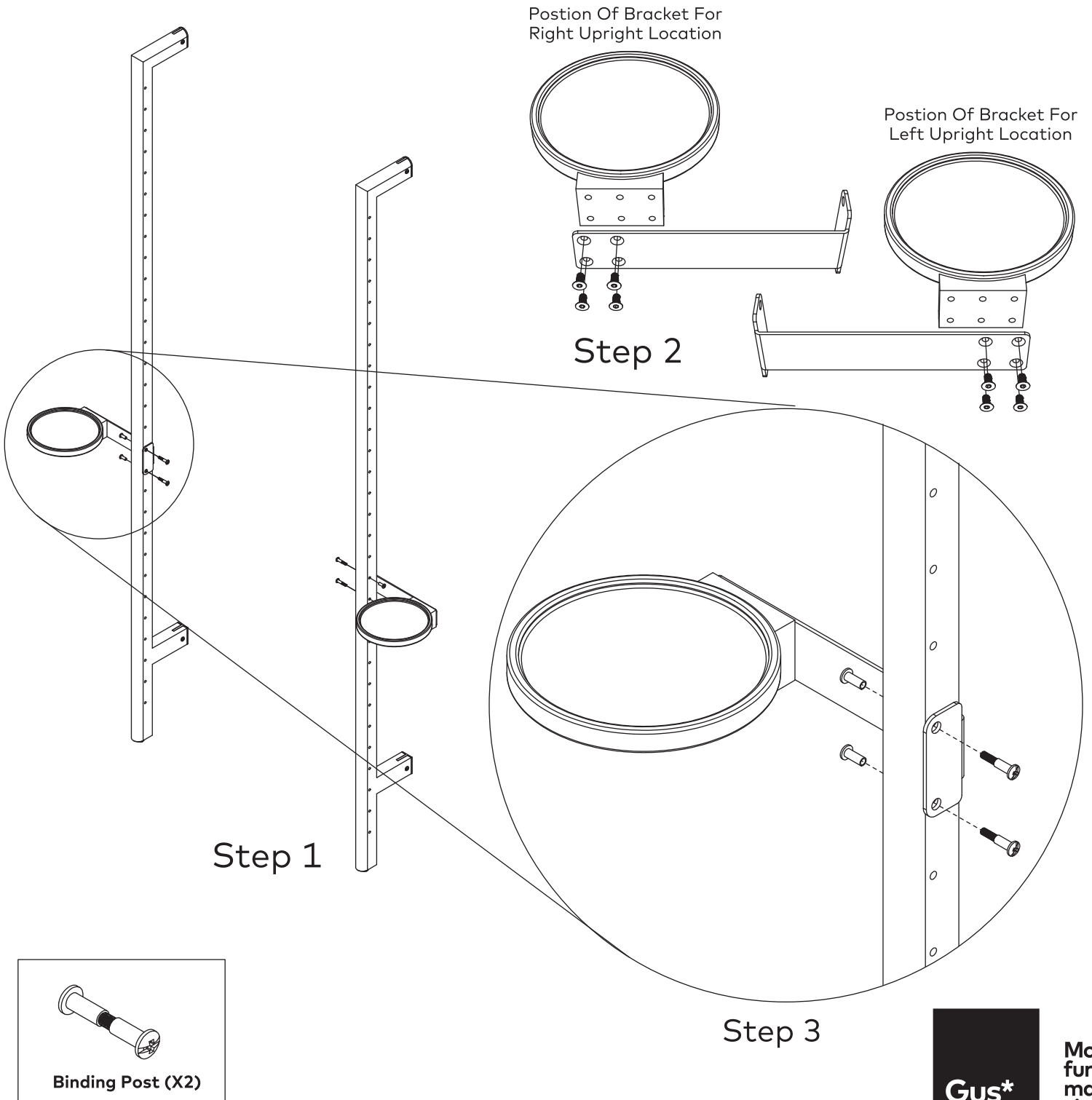
Branch Side Tray

INSTALLATION INSTRUCTIONS

KEEP ALL PACKAGING MATERIALS UNTIL YOU HAVE VERIFIED ALL COMPONENTS AND PARTS.

1. Determine where, and on which side, the side tray will be located.
2. If the side tray is to be used on the opposite upright side remove the four screws on the back and reattach after the steel bracket has been rotated 180 degrees.
3. Align the side tray steel bracket with upright holes. Fasten the side tray steel bracket to uprights with hardware provided.

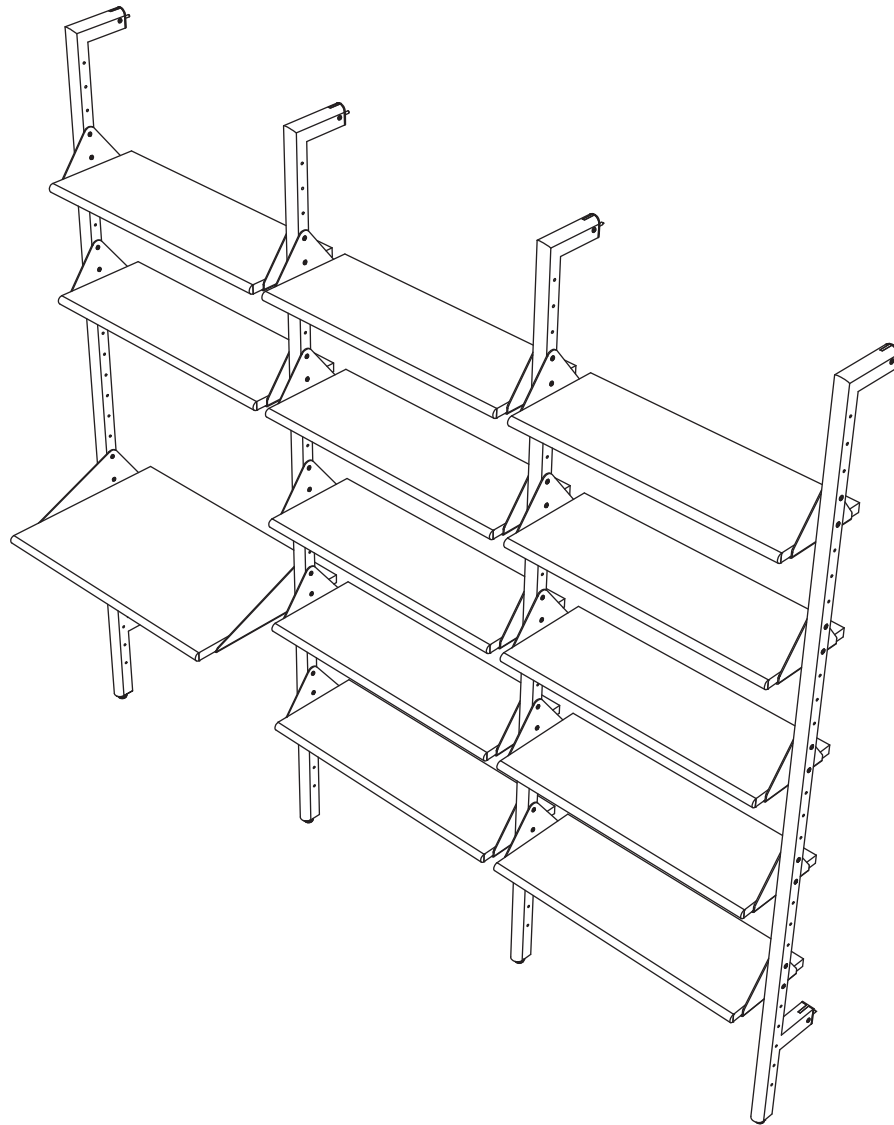
To help maintain the appearance of your side tray we recommend cleaning the wood surfaces and steel brackets with a damp, soft cloth. Do not use abrasive cleaning products. Depending on use, it may be necessary to tighten the screws and hardware periodically to maximize the stability of the side tray connection to the wood uprights.



Branch - SHELVING SYSTEM

To maintain the appearance of your shelving, we recommend cleaning the wood uprights, shelves, desk and support brackets with a damp, soft cloth.

Do not use abrasive cleaning products.



Gus*

**Modern
furniture
made
simple.**