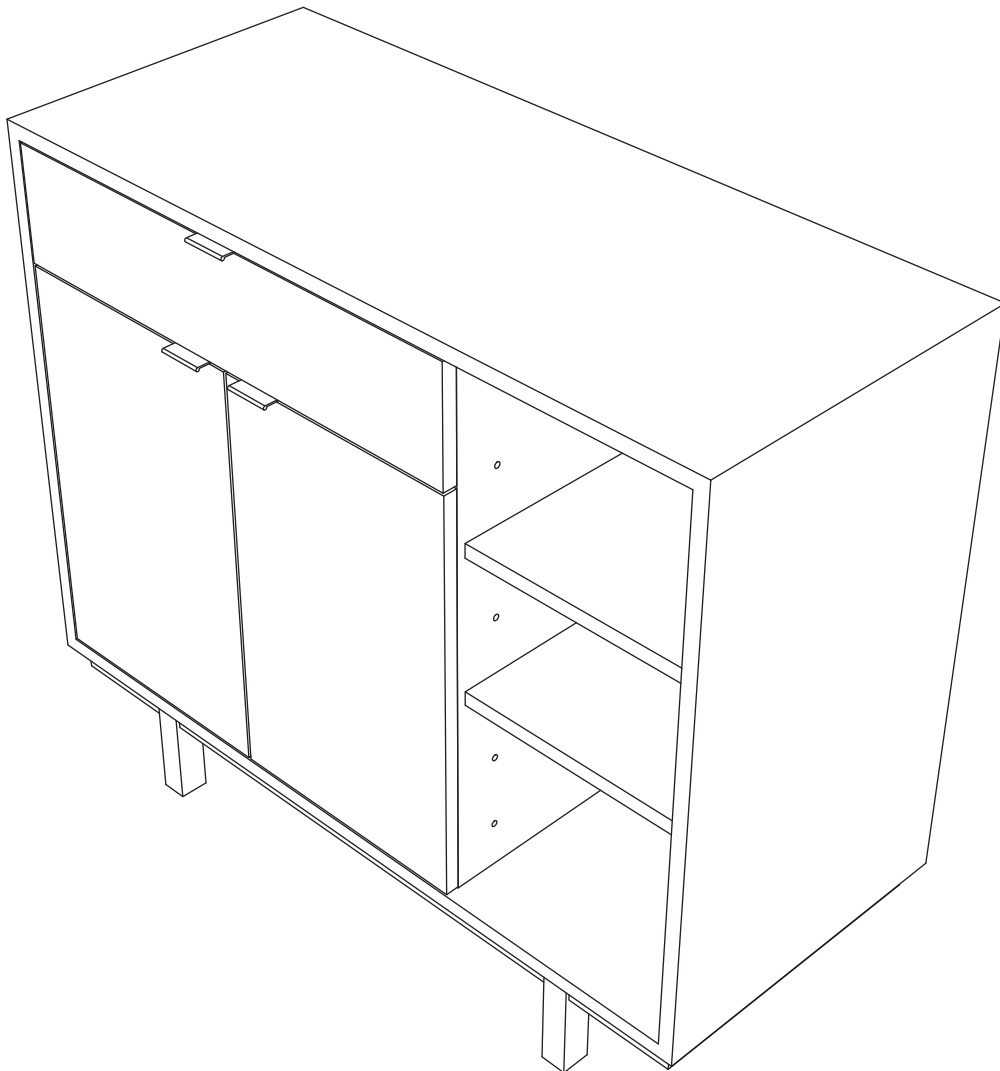


# Belmont Cabinet

To help maintain the appearance of your cabinet, we recommend cleaning the wood surfaces with a damp, soft cloth.

**Do not use abrasive cleaning products.**

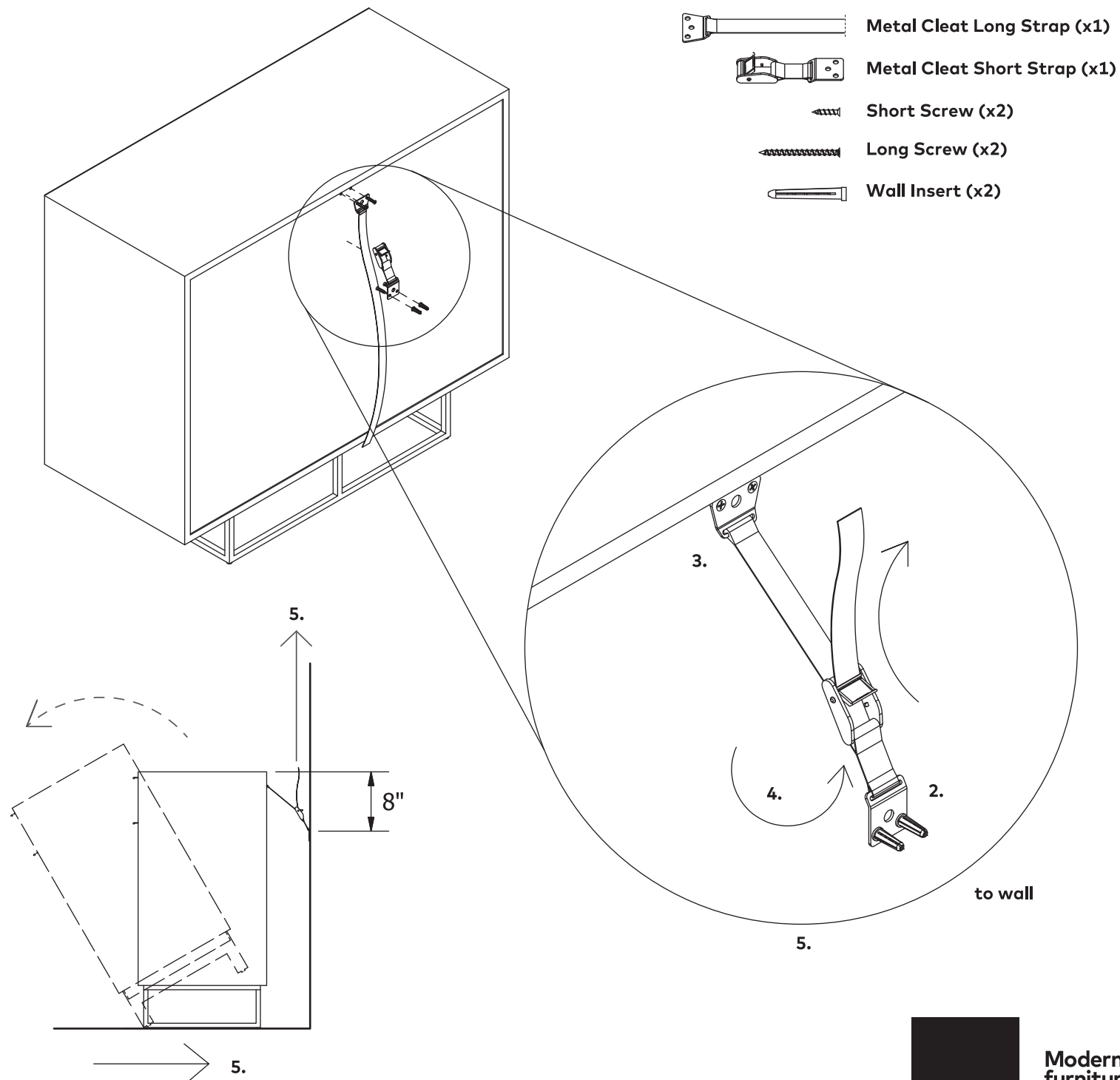


Modern  
furniture  
made  
simple.

# Belmont / Myles Cabinet

## ANTI TIP STRAP INSTALLATION

1. Determine cabinet location against wall.
2. Fix the metal cleat of the short strap to the wall using the provided longer screws and inserts (if required). Installing into a wood stud is preferred. Position the short strap mounting cleat approximately 8" below the top of the cabinet.
3. Fix the metal cleat of the long strap to the back of the cabinet with the provided shorter screws.
4. Thread the long strap through the middle buckle.
5. As the long strap is pulled taut, move the cabinet in toward the wall into final position.



Modern  
furniture  
made  
simple.