

Bancroft Dining Table

ASSEMBLY INSTRUCTIONS

KEEP ALL PACKAGING MATERIALS UNTIL YOU HAVE VERIFIED ALL COMPONENTS AND PARTS

1. Gently rest the tabletop on a clean flat surface.
2. Locate the pre-drilled holes on each leg and line them up with the pre-drilled holes in the corners of the table skirt.
3. Install the hardware in the order shown below to secure each leg to each corner of the table.

All Bancroft tables are made of solid wood have their own distinct grain pattern and coloring. These variations make each piece natural and unique. We recommend cleaning all wood components with a damp, soft cloth.

Do not use abrasive cleaning products.

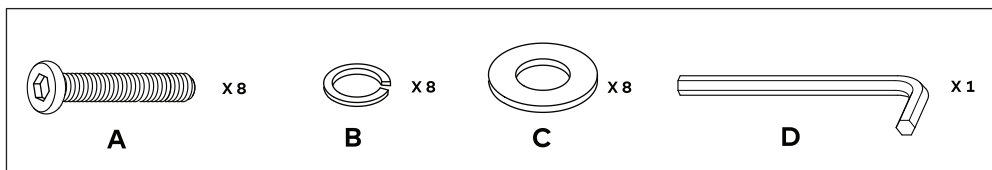
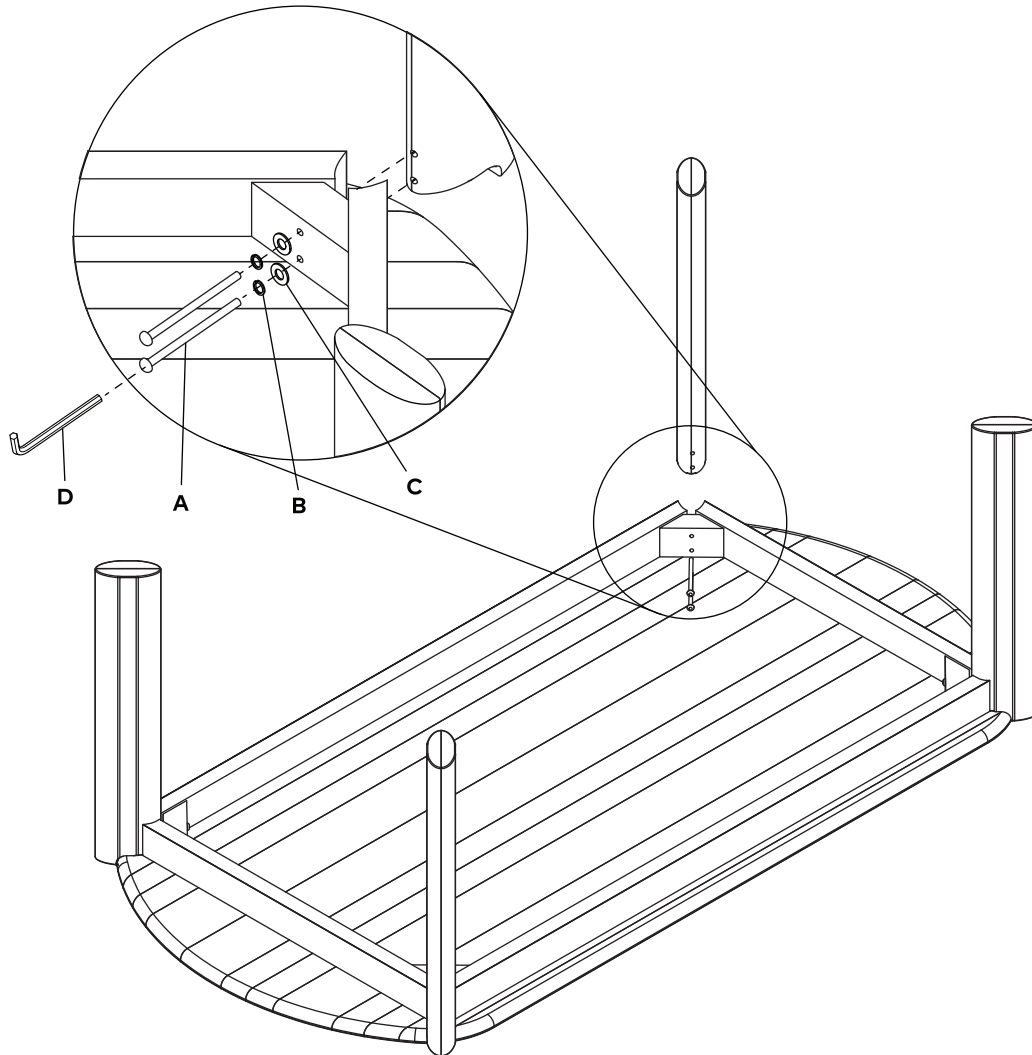
Preventative Measures:

Make sure the Bancroft Table is not exposed to direct sunlight for a long period of time. Do not put any extremely hot or cold food items/beverages in direct contact with the wood surface as this may cause marking or damage to the finish.

Spills must be cleaned immediately or this may cause discoloration to the wood and may cause permanent damage.

Shrinking, Cracking, Warping:

Keeping the humidity at an even level throughout the year will prolong the life of your table. Wood is very susceptible to changes in the humidity of its environment, which causes it to expand and shrink. Climate control will minimize this. A level of 40%-55% humidity with an ideal temperature of 70-72 degrees Fahrenheit should be maintained.



Modern
furniture
made
simple.

Wood Care - Rubio Monocoat

Select designs feature wood that is finished with Rubio Monocoat - an environmentally friendly, oil-based protector designed to highlight the beauty of natural wood. These designs require special care to ensure they maintain their appearance. Please read and follow the directions below.

Shrinking, Cracking, Warping:

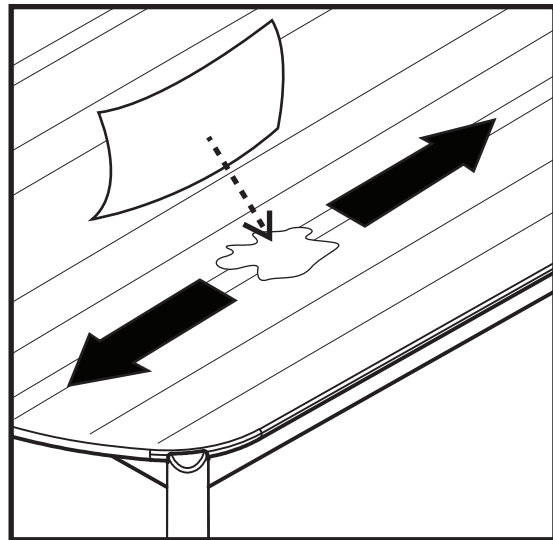
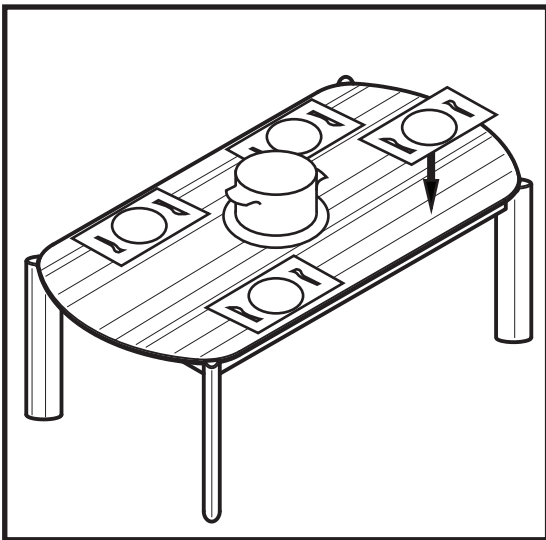
Wood is very susceptible to changes in the humidity of its environment, which causes it to expand and shrink. Climate control will minimize this. A level of 40%-55% humidity with an ideal temperature of 70-72 degrees Fahrenheit should be maintained.

Preventative Measures:

Oil finished, wood products are naturally porous, which means placemats and/or tablecloths must be used whenever possible to preserve the look and feel of the wood surface. Spills must be cleaned immediately to prevent discoloration and/or permanent damage.

Cleaning:

Only use cold water and a soft microfiber cloth to clean food, dust or spills. Wipe in the direction of the wood grain. **Do not use abrasive cleaning products. Do not use household cleaning products that contain degreasers as they remove the finish from the wood over time.**



Temperature:

Do not put any extremely hot or cold food items/beverages in direct contact with the wood surface as this may cause marking or damage to the finish.

Sunlight:

Ensure that your table is not exposed to direct sunlight for extended periods of time. This may cause discoloration as well as shrinking and cracking as the surface temperature changes throughout the day.

