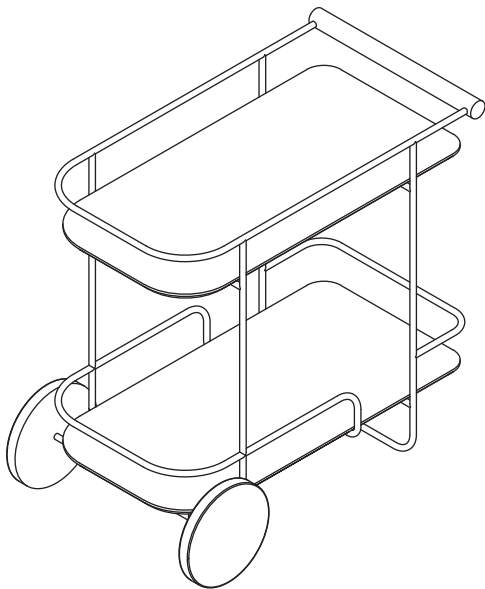


# Arcade Bar Cart

To help maintain the appearance of your bar cart, we recommend cleaning the wood top and the steel frame with a damp, soft, cloth.

**Do not use abrasive cleaning products.**



**Gus\***

**Modern  
furniture  
made  
simple.**