

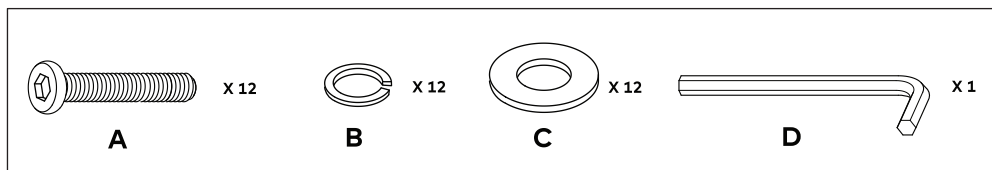
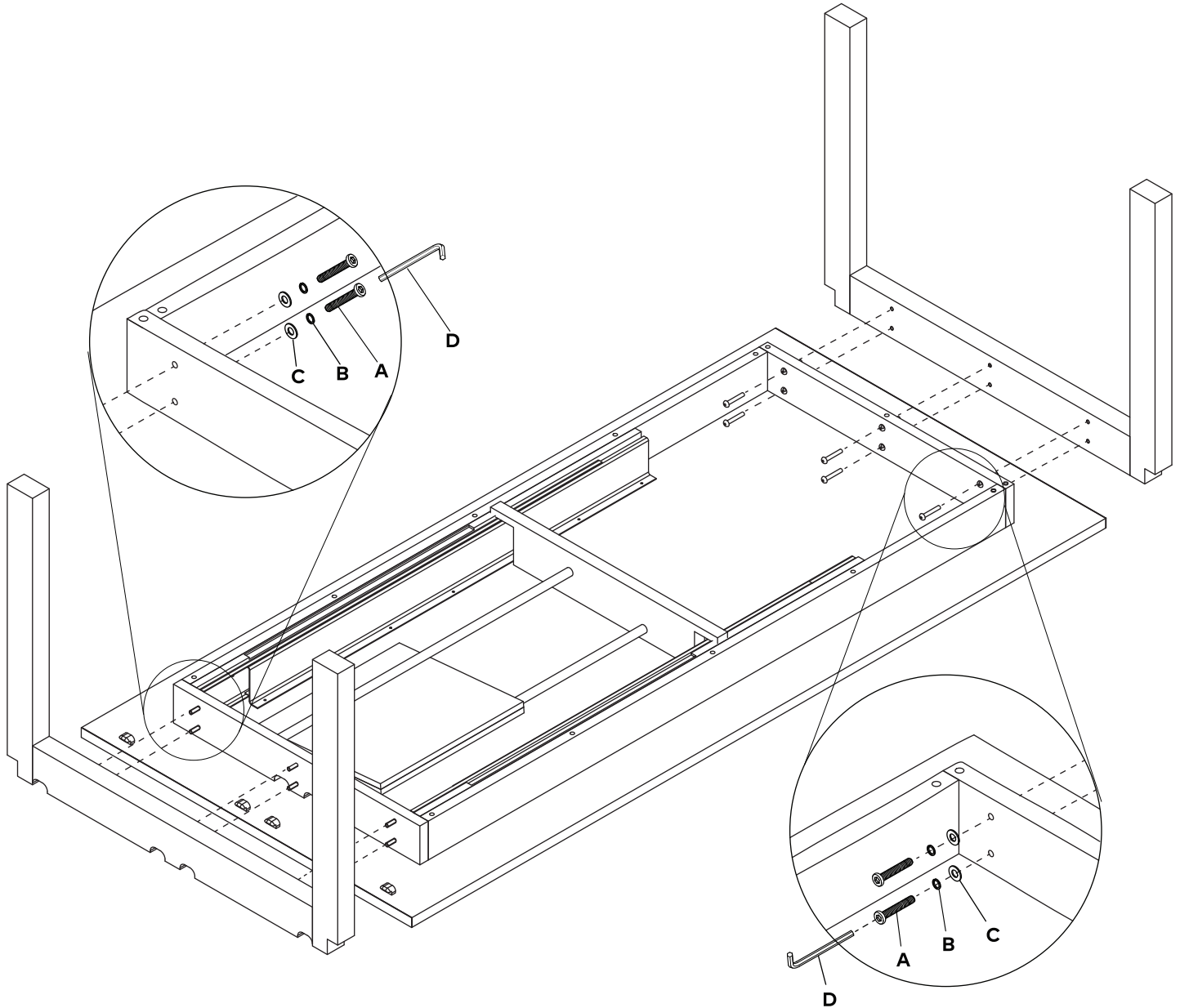
# Annex Dining Table

## ASSEMBLY INSTRUCTIONS

KEEP ALL PACKAGING MATERIALS UNTIL YOU HAVE VERIFIED ALL COMPONENTS AND PARTS

1. Gently rest the tabletop on a clean flat surface.
2. Locate the notched legs and line them up with the notches on the table skirt.
3. Line up the pre-drilled holes on the legs with the pre-drilled holes on the skirt and install the hardware in the order shown.
4. Repeat on opposite side of the table with the other set of legs. (Non-notched)

To help maintain the appearance of your table, we recommend cleaning up spills immediately with a damp, soft cloth. Do not use abrasive cleaning products.



Modern  
furniture  
made  
simple.

# Wood Care - Rubio Monocoat

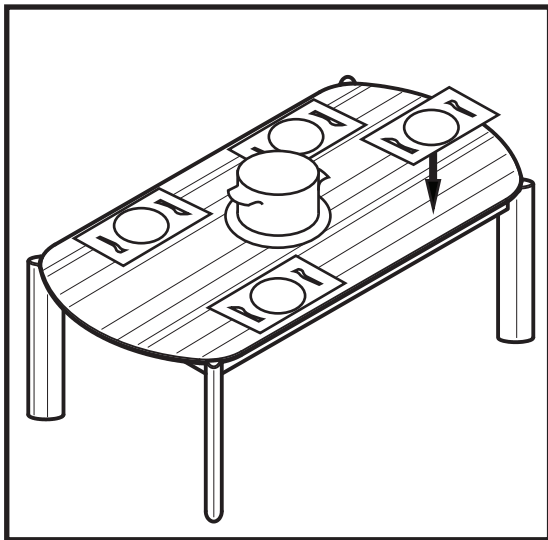
Select designs feature wood that is finished with Rubio Monocoat - an environmentally friendly, oil-based protector designed to highlight the beauty of natural wood. These designs require special care to ensure they maintain their appearance. Please read and follow the directions below.

## Shrinking, Cracking, Warping:

Wood is very susceptible to changes in the humidity of its environment, which causes it to expand and shrink. Climate control will minimize this. A level of 40%-55% humidity with an ideal temperature of 70-72 degrees Fahrenheit should be maintained.

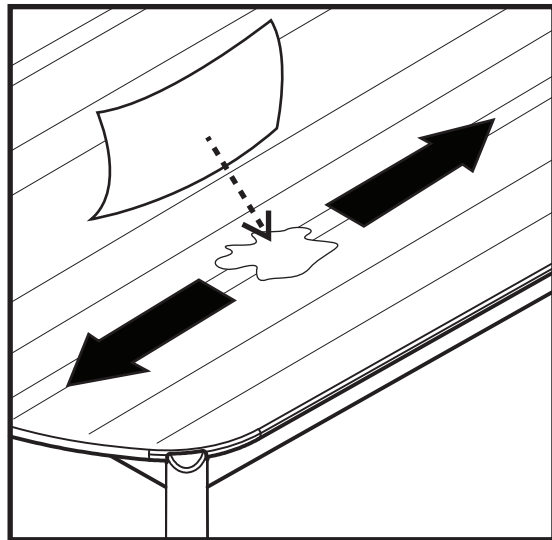
## Preventative Measures:

Oil finished, wood products are naturally porous, which means placemats and/or tablecloths must be used whenever possible to preserve the look and feel of the wood surface. Spills must be cleaned immediately to prevent discoloration and/or permanent damage.



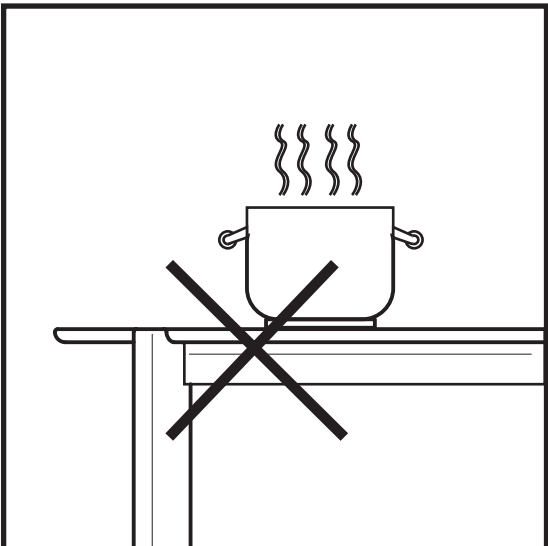
## Cleaning:

Only use cold water and a soft microfiber cloth to clean food, dust or spills. Wipe in the direction of the wood grain. **Do not use abrasive cleaning products. Do not use household cleaning products that contain degreasers as they remove the finish from the wood over time.**



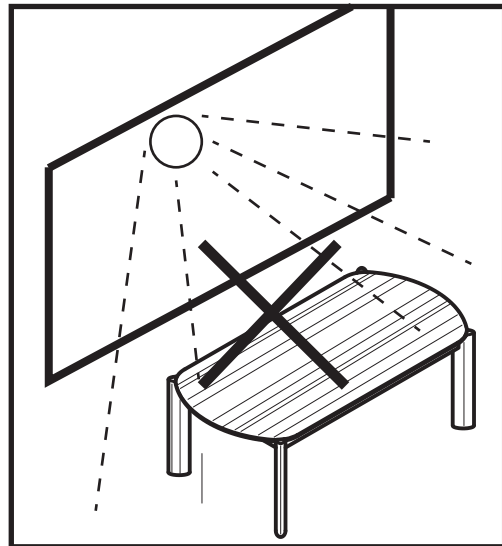
## Temperature:

Do not put any extremely hot or cold food items/ beverages in direct contact with the wood surface as this may cause marking or damage to the finish.



## Sunlight:

Ensure that your table is not exposed to direct sunlight for extended periods of time. This may cause discoloration as well as shrinking and cracking as the surface temperature changes throughout the day.



# Annex Dining Table

To help maintain the appearance of your table we recommend that you clean spills immediately with a damp soft cloth. Do not use abrasive cleaning products.

## TO EXTEND TABLE

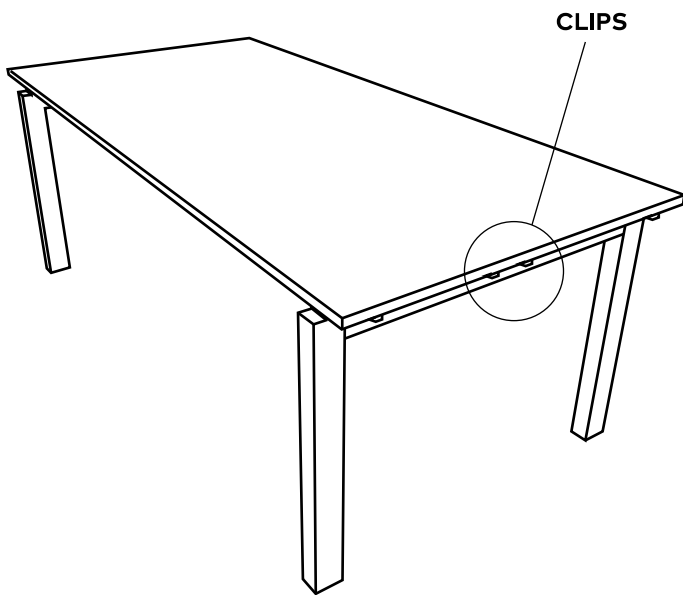
**Step 1** Locate the end of the table with the clips underneath the tabletop.

**Step 2** Directly below the clips firmly grab the table skirt and pull it out until it stops.

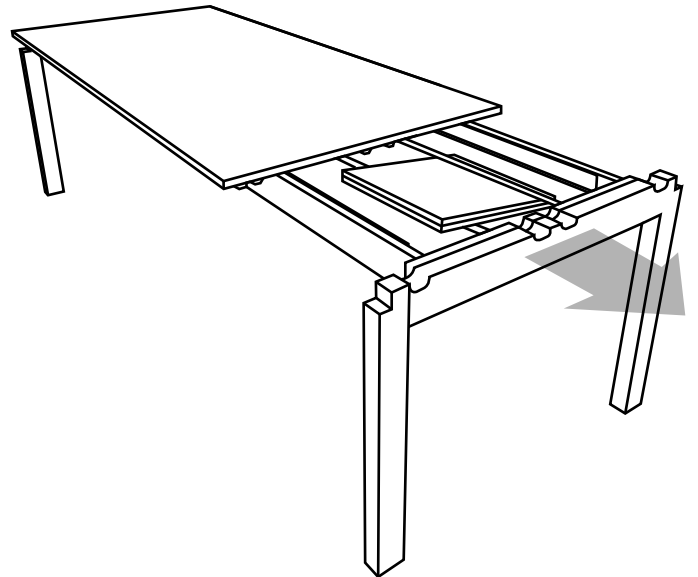
**Step 3** Separate and unfold the extension piece until it is completely open.

**Step 4** Firmly push the skirt back in underneath the tabletop until it stops.

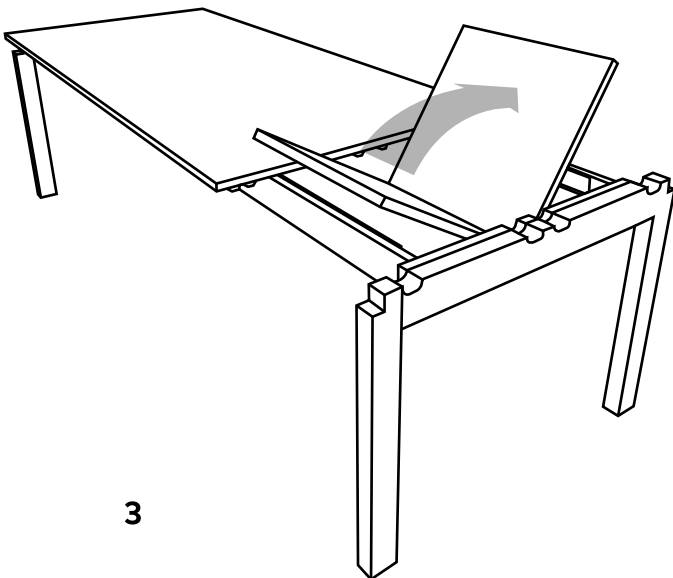
Reverse these instructions to return the table back to its original size.



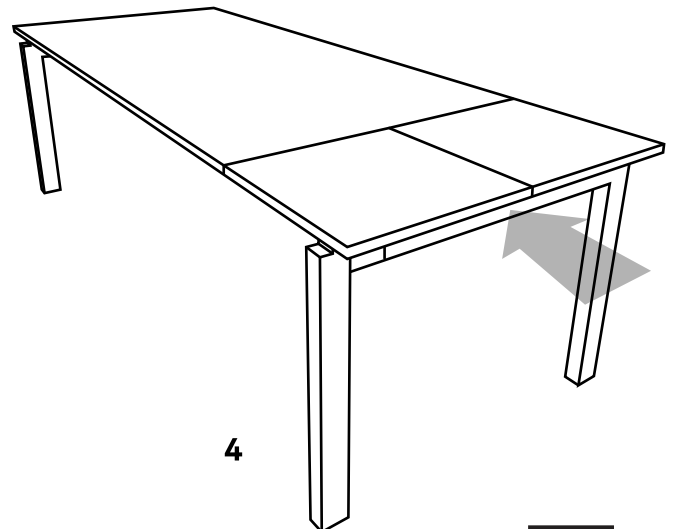
1



2



3



4