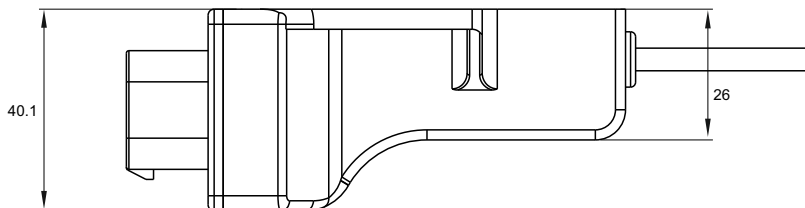
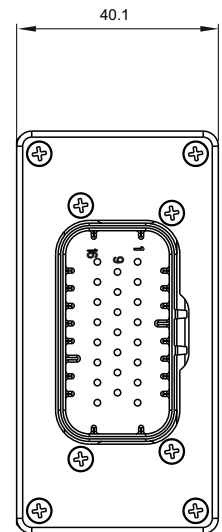
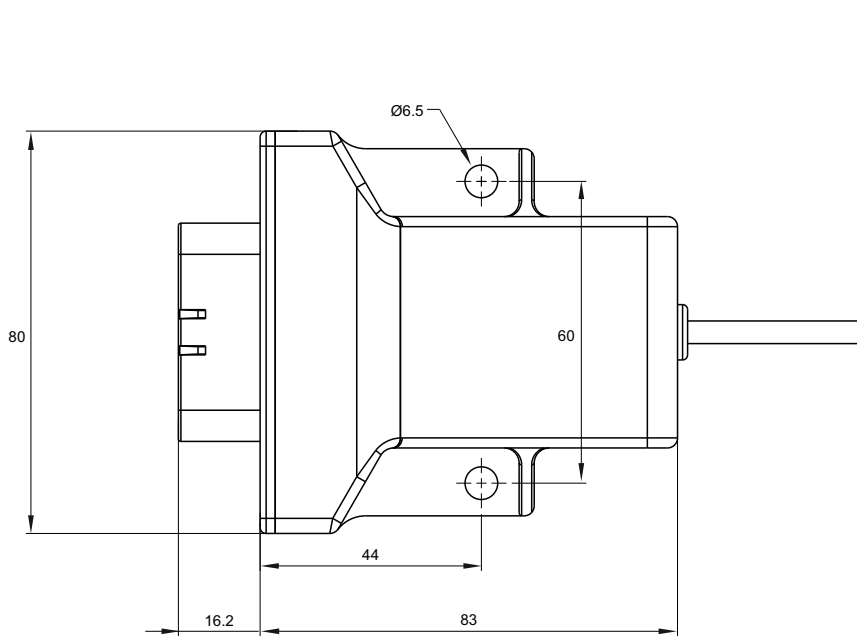




AiM RIO02

Remote Input/Output Module





AiM RIO02

Remote Input/Output Module

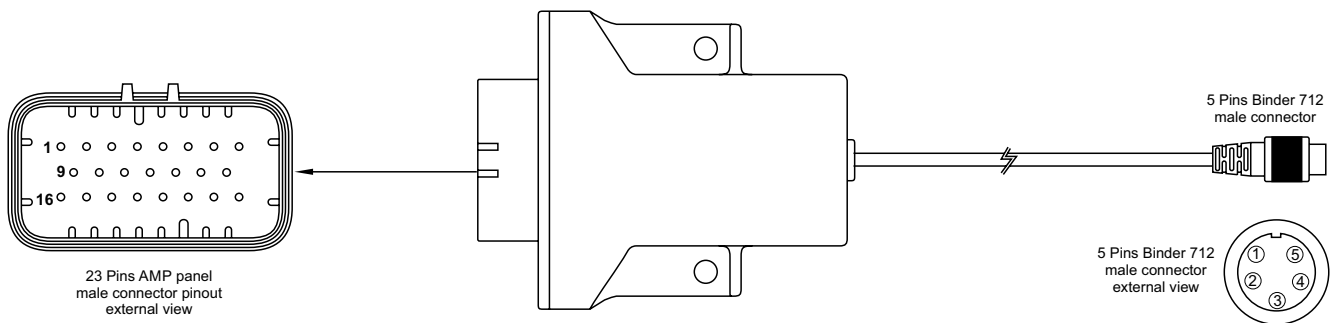
Technical specifications

CAN connections	1
Inputs	19 of which: <ul style="list-style-type: none"> ■ 8 prog: Switch to Batt, Switch to ground ■ 11 Switch to Ground
Dig outs	2 Low Side 2 A Max
Body	Plastic
Connectors	1 AMP 776087-1 connector
Dimensions	99.2 x 80 x 40.1 mm
Weight	120 g

Part number

X08EXMRIO020	RIO02
---------------------	-------

Pinout



Pin	Name	Function
1	GND	Battery GND
2	LO0	Low side output (Max 2A)
3	LS1	Low side output (Max 2A)
4	SW0	Input programmable switch (to Battery or to GND)
5	SW1	Input programmable switch (to Battery or to GND)
6	SW2	Input programmable switch (to Battery or to GND)
7	SW3	Input programmable switch (to Battery or to GND)
8	SW4	Input programmable switch (to Battery or to GND)
9	SW5	Input programmable switch (to Battery or to GND)
10	SW6	Input programmable switch (to Battery or to GND)
11	SW7	Input programmable switch (to Battery or to GND)
12	SW8	Input switch (to GND)
13	SW9	Input switch (to GND)
14	IO1	Input switch (to GND)
15	IO2	Input switch (to GND)
16	IO3	Input switch (to GND)
17	IO4	Input switch (to GND)
18	IO5	Input switch (to GND)
19	IO6	Input switch (to GND)
20	IO7	Input switch (to GND)
21	IO8	Input switch (to GND)
22	IO9	Input switch (to GND)
23	Vb ext	9-15 Power input

Pin	Function
1	AiM CAN+
2	GND
3	+Vb
4	AiM can-
5	+Vb Ext