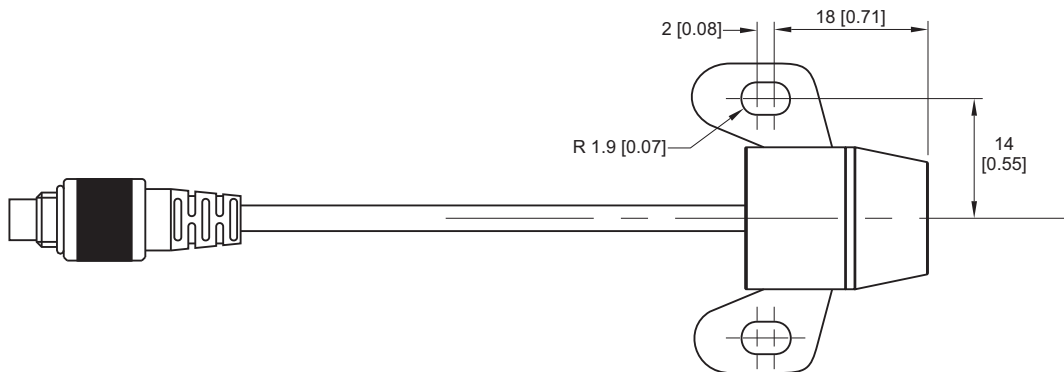
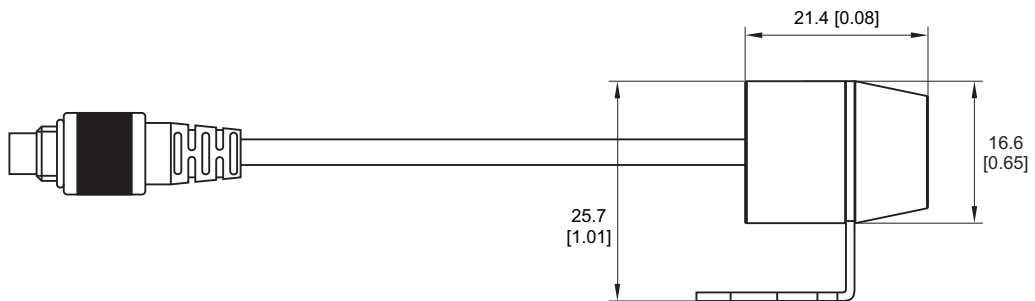




# AiM rear camera

Add-on for MX Series loggers\*



\* 2<sup>nd</sup> generation loggers



# AiM rear camera

## Add-on for MX Series loggers\*

### Technical specifications

|                       |                     |
|-----------------------|---------------------|
| <b>Optical format</b> | 1/4 inch color CMOS |
| <b>TV system</b>      | NTSC                |
| <b>H-FOV</b>          | 170°                |
| <b>Pixel array</b>    | 648 (H) x 488 (V)   |
| <b>Frame rate</b>     | 60 fps              |
| <b>Temperature</b>    | -30/80 °C           |

### Part numbers

|                    |  |
|--------------------|--|
| <b>XB1ZCAMHD00</b> | AiM rear camera                        |
| <b>V02551170</b>   | Single AiM rear camera patch cable     |
| <b>V02573410</b>   | Double AiM rear camera patch cable     |
| <b>V02573390</b>   | Single non AiM rear camera patch cable |
| <b>V02573400</b>   | Double non AiM rear camera patch cable |

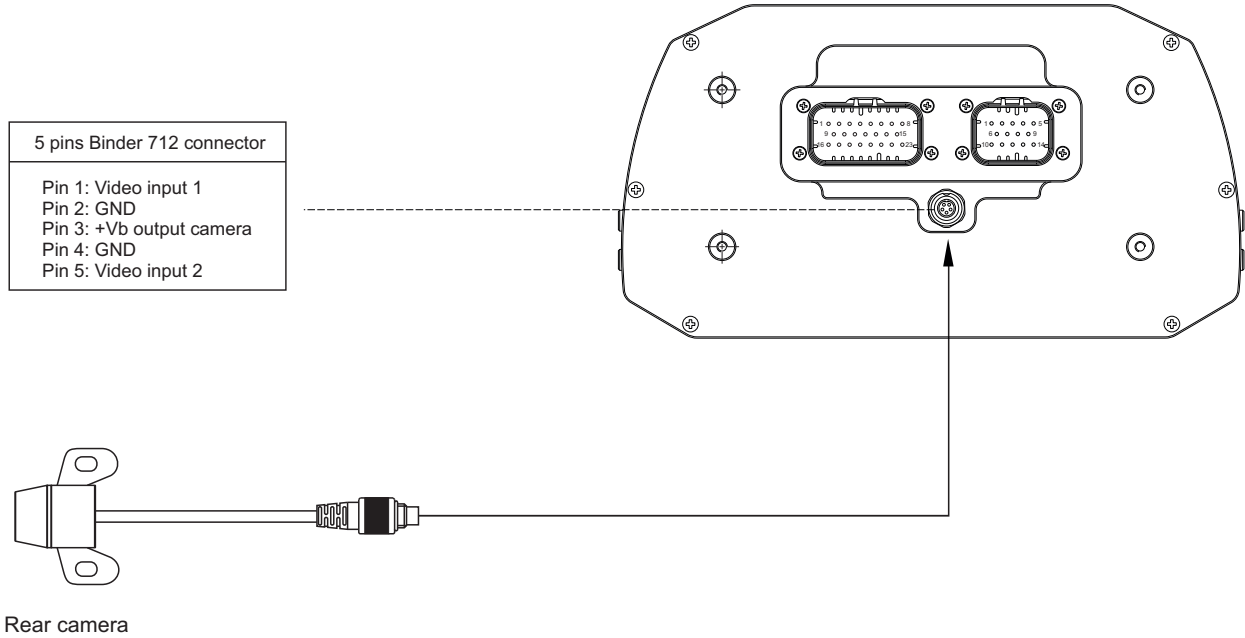
\* 2<sup>nd</sup> generation loggers



# AiM rear camera

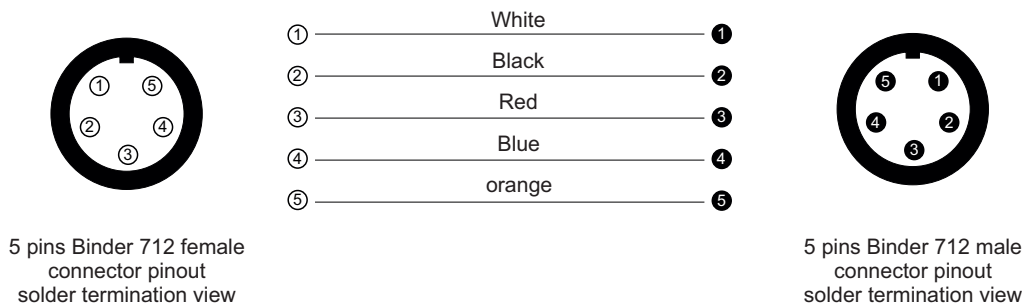
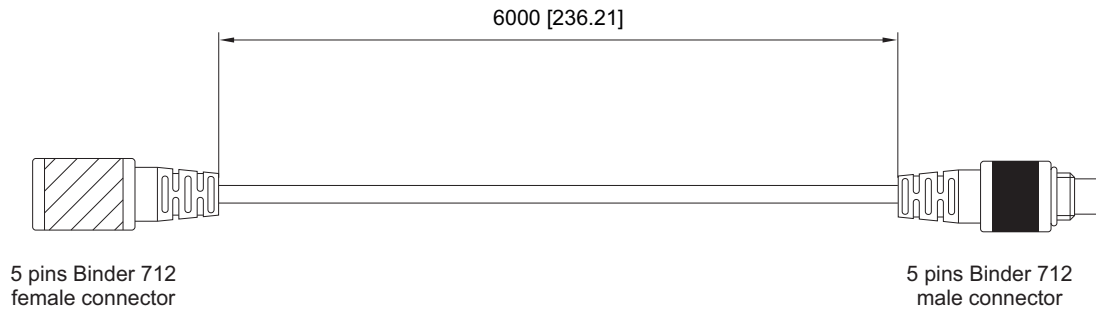
Add-on for MX Series loggers\*

## Pinout



## Cables

### Single AiM rear camera patch cable



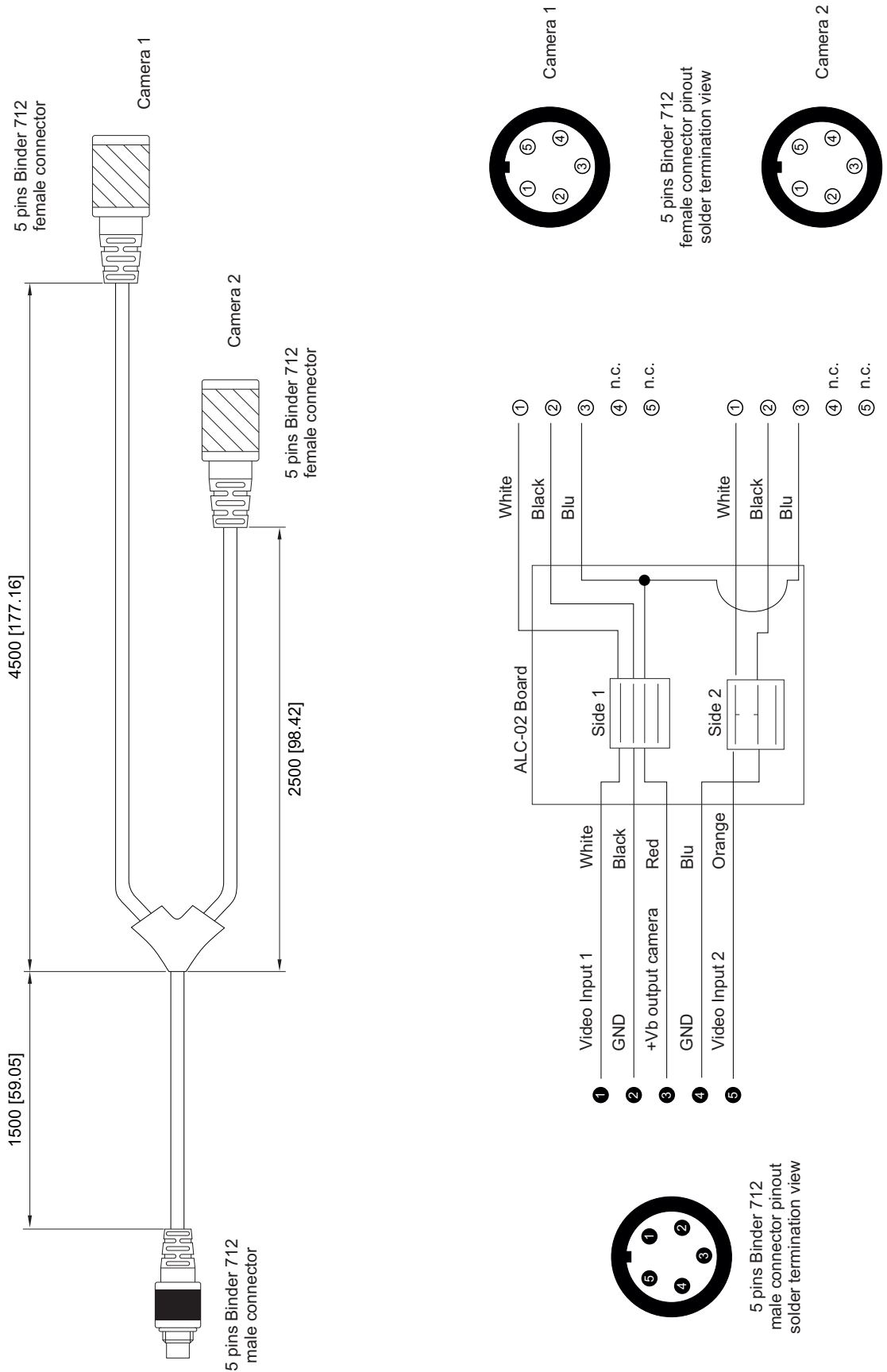
\* 2<sup>nd</sup> generation loggers



# AiM rear camera

Add-on for MX Series loggers\*

## Double AiM rear camera patch cable



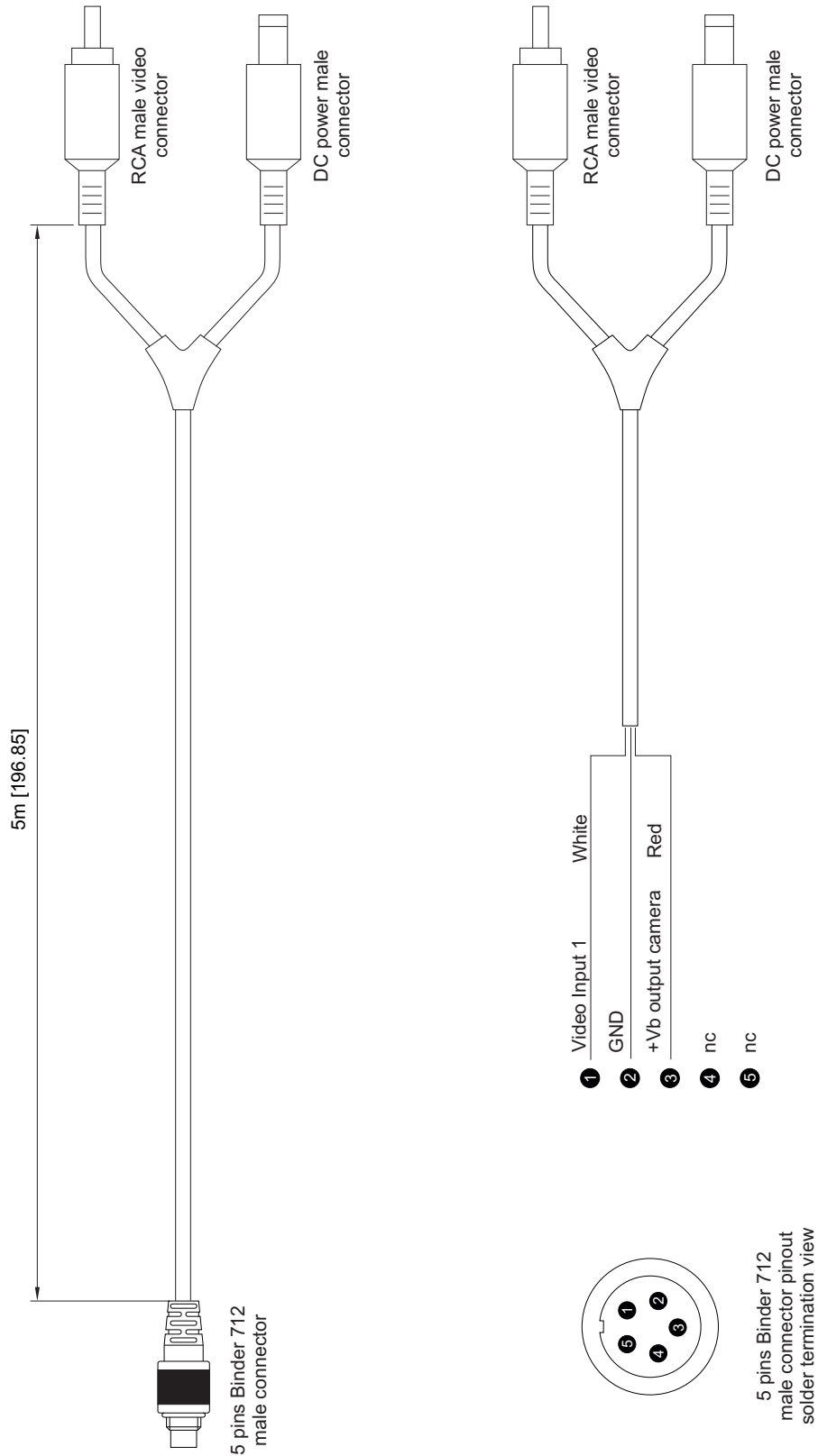
\* 2<sup>nd</sup> generation loggers



# AiM rear camera

Add-on for MX Series loggers\*

## Single non AiM rear camera patch cable



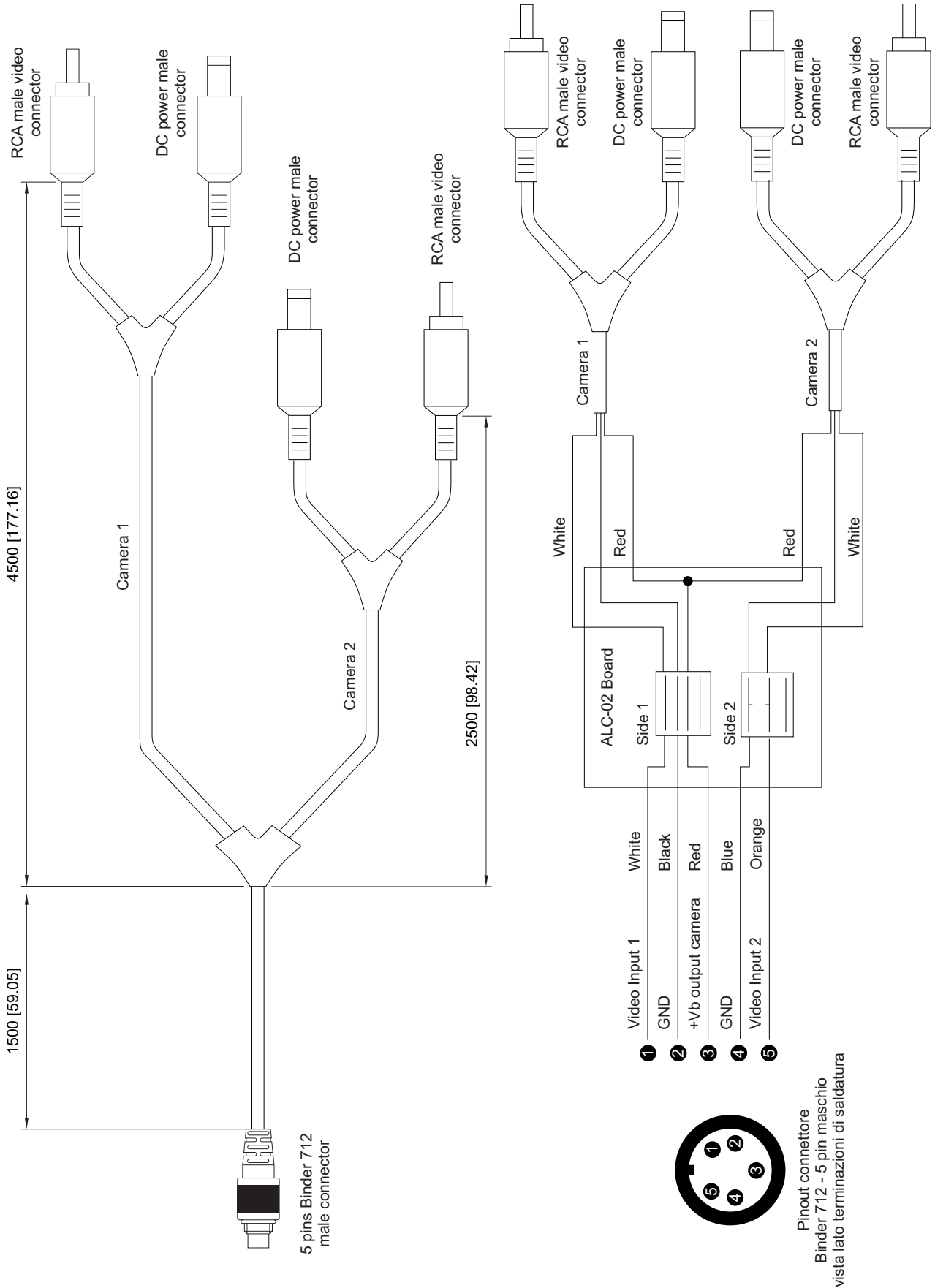
\* 2<sup>nd</sup> generation loggers



# AiM rear camera

Add-on for MX Series loggers\*

## Double non AiM rear camera patch cable



\* 2<sup>nd</sup> generation loggers